

INTERNATIONAL STANDARD

NORME INTERNATIONALE

**Plugs, socket-outlets, vehicle connectors and vehicle inlets – Conductive charging of electric vehicles –
Part 2: Dimensional compatibility and interchangeability requirements for a.c. pin and contact-tube accessories**

**Fiches, socles de prise de courant, prises mobiles de véhicule et socles de connecteurs de véhicule – Charge conductive des véhicules électriques –
Partie 2: Exigences dimensionnelles de compatibilité et d’interchangeabilité pour les appareils à broches et alvéoles pour courant alternatif**

INTERNATIONAL
ELECTROTECHNICAL
COMMISSION

COMMISSION
ELECTROTECHNIQUE
INTERNATIONALE

IEC 62196-2:2016 © IEC 2016

The text of this standard is based on the following documents:

CDV	Report on voting
23H/324/CDV	23H/342/RVC

Full information on the voting for the approval of this standard can be found in the report on voting indicated in the above table .

This publication has been drafted in accordance with the ISO/IEC Directives, Part 2 .

A list of all the parts in the IEC 62196 series, under the general title *Plugs, socket-outlets, vehicle connectors and vehicle inlets – Conductive charging of electric vehicles* , can be found on the IEC website .

This part of IEC 62196 is to be read in conjunction with IEC 62196- 1 :2014 . The clauses of the particular requirements in Part 2 supplement or modify the corresponding clauses in Part 1 . Where the text indicates "addition" to or "replacement" of the relevant requirement, test specification or explanation of Part 1 , these changes are made to the relevant text of Part 1 , which then becomes part of this standard . Where no change is necessary, the words "Clause X of IEC 62196- 1:2014 is applicable" are used .

In this standard, the following print types are used:

- requirements proper: in roman type;
- *test specifications: in italic type;*
- notes: in smaller roman type .

The committee has decided that the contents of this publication will remain unchanged until the stability date indicated on the IEC website under "[http://webstore .iec .ch](http://webstore.iec.ch)" in the data related to the specific publication . At this date, the publication will be

- reconfirmed,
- withdrawn,
- replaced by a revised edition, or
- amended .

INTRODUCTION

Responding to global challenges of CO₂ reduction and energy security, the automobile industries have been accelerating the development and commercialization of electric vehicles and hybrid electric vehicles. In addition to the prevailing hybrid electric vehicles, battery electric vehicles including plug-in hybrid electric vehicles are going to be mass-marketed. To support the diffusion of such vehicles, this standard provides the standard interface configurations of a.c. vehicle couplers and accessories to be used in conductive charging of electric vehicles, taking the most frequent charging situations into consideration.

IEC 62196 is divided into several parts:

Part 1: General requirements

Part 2: Dimensional compatibility and interchangeability requirements for a.c. pin and contact-tube accessories

Part 3: Dimensional compatibility and interchangeability requirements for d.c. and a.c./d.c. pin and contact-tube vehicle couplers

IEC 62196-2:2016 © IEC 2016

PLUGS, SOCKET-OUTLETS, VEHICLE CONNECTORS AND VEHICLE INLETS – CONDUCTIVE CHARGING OF ELECTRIC VEHICLES –

Part 2: Dimensional compatibility and interchangeability requirements for a.c. pin and contact-tube accessories

1 Scope

This part of IEC 62196 applies to plugs, socket-outlets, vehicle connectors and vehicle inlets with pins and contact-tubes of standardized configurations, herein referred to as accessories. They have a nominal rated operating voltage not exceeding 480 V a.c., 50 Hz to 60 Hz, and a rated current not exceeding 63 A three-phase or 70 A single phase, for use in conductive charging of electric vehicles.

This part of IEC 62196 covers the basic interface accessories for vehicle supply as specified in IEC 62196-1, and intended for use in conductive charging systems for circuits specified in IEC 61851-1:2010.

NOTE 1 Electric road vehicles (EV) implies all road vehicles, including plug-in hybrid road vehicles (PHEV), that derive all or part of their energy from RESS.

These accessories are intended to be used for circuits specified in IEC 61851-1:2010 which operate at different voltages and frequencies and which may include extra-low voltage (ELV) and communication signals.

These accessories may be used for bidirectional power transfer (under consideration).

This standard applies to accessories to be used in an ambient temperature between -30 °C and $+50\text{ °C}$.

NOTE 2 In the following country, other requirements regarding the lower temperature may apply: NO.

NOTE 3 In the following country, -35 °C applies: SE.

These accessories are intended to be connected only to cables with copper or copper-alloy conductors.

Vehicle inlet and vehicle connector to this standard are intended to be used for charging in modes 1, 2 and 3, cases B and C. The socket-outlets and plugs covered by this standard are intended to be used for charging mode 3 only, case A and B.

The modes and permissible connections are specified in IEC 62196-1:2014.

2 Normative references

Clause 2 of IEC 62196-1:2014 applies except as follows:

Addition:

IEC 62196-1:2014, *Plugs, socket-outlets, vehicle connectors and vehicle inlets – Conductive charging of electric vehicles – Part 1: General requirements*

3 Terms and definitions

Clause 3 of IEC 62196- 1:2014 applies .

4 General

Clause 4 of IEC 62196- 1:2014 applies .

5 Ratings

Clause 5 of IEC 62196- 1:2014 applies except as follows:

5.1 Replacement:

Rated operating voltages:

30 V (signal or control purposes only);

250 V a .c .

480 V a .c .

5.2 Replacement:

The rated currents are:

2 A (signal or control purposes only)

13 A single phase

16 A single and three-phase

20 A single and three-phase

30 A or 32 A single and three-phase

60 A or 63 A single and three-phase

70 A single phase only

NOTE 1 In the following countries, the branch circuit overcurrent protection device is based upon 125 % of the accessory rating: US .

NOTE 2 Reference to "30 A or 32 A" and "60 A or 63 A" rating is made in accordance with National requirements .

6 Connection between the power supply and the electric vehicle

Clause 6 of IEC 62196- 1:2014 applies except as follows:

6.1 Replacement:

This Clause provides a description of the physical conductive electrical interface requirements between the vehicle and the power supply, which allows the following design at the vehicle interface:

- a basic interface that provides for current ratings up to 63 A a .c . three- phase and up to 70 A a .c . single phase .

Different configuration types for the basic interface may allow different application of mode and current ratings . See introduction to relevant standard sheets for more details .

IEC 62196-2:2016 © IEC 2016

6.2 Replacement:

There is one type of vehicle inlet:

- basic

6.3 Replacement:

There is one type of vehicle connector:

- basic

6.4 Not applicable .

6.5 Replacement:

The basic interface may contain up to 7 power or signal contacts, with unique physical configurations of contact positions for single or three phases . The electrical ratings and their function are described in Tables 201 and 202 . The electrical ratings and their function are described in the Standard Sheets .

Each vehicle inlet shall only mate with the corresponding type of vehicle connector . Each plug shall only mate with the corresponding type of socket-outlet .

The accessories, configuration types 1, 2 or 3 are rated as follows:

- configuration type 1 vehicle coupler is rated 250 V, 32 A single phase;
- configuration type 2 vehicle coupler, socket-outlet and plug are rated:
 - 250 V, 13 A or 20 A or 32 A or 63 A or 70 A single phase,
 - 480 V, 13 A or 20 A or 32 A or 63 A, three- phase .
- configuration type 3 vehicle coupler , socket-outlet and plug are rated:
 - 250 V, 16 A or 32 A, single phase,
 - 480 V, 32 A or 63 A three-phase .

Table 201 – Overview of the basic vehicle interface, configuration type 1, single phase

Position number ^a	a.c.	Functions ^c
1	250 V 32 A ^b	L1 (mains 1)
2	250 V 32 A	L2 (mains 2) / N (neutral)
3	Rated for fault	PE (ground/ earth)
4	30 V 2 A	CP (Control pilot)
5	30 V 2 A	CS (Connection switch)
^a Position number does not refer to the location and/ or identification of the contact in the accessory . ^b In the following countries, the branch circuit overcurrent protection is based upon 125 % of the device rating: US . ^c For contacts 4 and 5 , environmental conditions may demand larger conductor cross-sections .		

Table 202 – Overview of the basic vehicle interface, configuration types 2 and 3, three- phase or single phase

Position number ^f	U_{max}	Three phase		Single phase		Functions
		I_{max}^a		I_{max}^a		
	V a . c .	A		A		
		Type 2	Type 3	Type 2 ^b	Type 3	
1	480	63		70	63	L1 (mains 1) ^b
2	480	63		- ^c	- ^c	L2 (mains 2)
3	480	63		- ^c	- ^c	L3 (mains 3)
4	480	63		70	63	N (neutral) ^{b, e}
5	—	Rated for fault				PE (ground/ earth)
6	30	2				CP (Control pilot)
7	30	2				PP (Proximity) ^d or CS (Connection switch) ^d

^a In the following countries, the branch circuit overcurrent protection is based upon 125 % of the device rating: US .

^b For single phase charging, contacts 1 and 4 shall be used .

^c Unused contacts need not to be installed . Not provided for standard sheets 2- IIIa and 2- IIIb .

^d Not provided for standard sheet 2- IIIa .

^e For single phase system supply phase to phase this contact can be used for L2 (mains 2) .

^f Position number does not refer to the location and/ or identification of the contact in the accessory .

6.6 Not applicable.

6.7 Not applicable.

6.201 Communication and control pilot function

The control pilot and proximity detection or connection contacts are intended to be used in accordance with IEC 61851- 1 :2010 .

7 Classification of accessories

Clause 7 of IEC 62196- 1:2014 applies except as follows:

7.4 According to electrical operation

Replacement:

- Suitable for making and breaking an electrical circuit under load for 32 A configurations types 1 and 3 ;
- Not suitable for making and breaking an electrical circuit under load for configurations type 2;
- Not suitable for making and breaking an electrical circuit under load for 63 A configuration type 3.

NOTE Communication circuits according to this standard are deemed not to make or break load as a result of this clause .

7.5 According to interface

Replacement:

IEC 62196-2:2016 © IEC 2016

Interface is specified in Clause 6.

- Basic type .

7.201 According to the Standard Sheet used

- Configuration type 1;
- Configuration type 2;
- Configuration type 3.

8 Marking

Clause 8 of IEC 62196- 1:2014 applies .

9 Dimensions

Clause 9 of IEC 62196- 1:2014 applies except as follows:

9.1 Replacement:

Accessories shall comply with the relevant standard sheets as specified below and in Table 203 :

Configuration type 1

- 32 A, 250 V single-phase vehicle couplers: standard sheet 2- I .
- Optional latching system: standard sheet 2- Ia .

NOTE In the following countries, the standard sheets 2- I and 2- Ia may be applied to vehicle couplers with rated current up to 80 A : US .

Configuration type 2

- 63 A, 480 V three-phase or 250 V, 70 A single-phase accessories: standard sheets 2- II , IIa, IIb, IIc, IId, IIe, IIf, IIg and IIh .

Configuration type 3

- 16 A, 250 V single-phase accessories with one pilot: standard sheet 2- IIIa;
- 32 A, 250 V single-phase accessories with two pilots: standard sheet 2- IIIb;
- 63 A, 480 V three-phase accessories with two pilots: standard sheet 2- IIIc;
- Latching means and packaging room: standard sheet 2- IIId .

Table 203 – Configuration types and standard sheets

Configuration type	Standard Sheet	Applicable accessories	Rated voltage V	Rated current A	Phase
1	2-I	Vehicle couplers	250	32	Single- phase
2	2- II	Accessories	250	70	Single- phase
			480	63	Three- phase
3	2- III	Accessories	250	16	Single- phase
			250	32	Single- phase
			480	63	Three- phase

1 0 Protection against electric shock

Clause 10 of IEC 62196- 1:2014 applies .

1 1 Size and colour of protective earthing conductors

Replacement:

The core connected to the earthing terminal shall be identified by the colour combination green-and-yellow . The nominal cross/sectional area of the earthing conductor and of the neutral conductor, if any, shall be at least equal to that of the phase conductors .

NOTE In the following countries, the colour green may be used to identify the earthing conductor: JP, US, CA .

1 2 Provision for earthing

Clause 12 of IEC 62196- 1:2014 applies .

1 3 Terminals

Clause 13 of IEC 62196- 1:2014 applies except as follows .

Additional subclause:

13.201 Wire connection of components , for example coding resistors may be rewirable or non-rewirable .

1 4 Interlocks

Clause 14 of IEC 62196- 1:2014 applies.

1 5 Resistance to ageing of rubber and thermoplastic material

Clause 15 of IEC 62196- 1:2014 applies .

1 6 General construction

Clause 16 of IEC 62196- 1:2014 applies .

1 7 Construction of socket- outlets

Clause 17 of IEC 62196- 1:2014 applies .

1 8 Construction of plugs and vehicle connectors

Clause 18 of IEC 62196- 1:2014 applies .

1 9 Construction of vehicle inlets

Clause 19 of IEC 62196- 1:2014 applies .

IEC 62196-2:2016 © IEC 2016

2 0 Degrees of protection

Clause 20 of IEC 62196- 1:2014 applies .

2 1 Insulation resistance and dielectric strength

Clause 21 of IEC 62196- 1:2014 applies .

2 2 Breaking capacity

Clause 22 of IEC 62196- 1:2014 applies .

2 3 Normal operation

Clause 23 of IEC 62196- 1:2014 applies .

2 4 Temperature rise

Clause 24 of 62196- 1:2014 applies except as follows:

24.1 Addition, after the seventh paragraph:

For accessories dependent upon a resistor coding to define the accessory's assigned current rating, the test shall be repeated using a set of samples for each resistor coding value and tested at the maximum current corresponding to that resistor coding value.

2 5 Flexible cables and their connection

Clause 25 of IEC 62196- 1:2014 applies .

2 6 Mechanical strength

Clause 26 of IEC 62196- 1:2014 applies .

2 7 Screws, current-carrying parts and connections

Clause 27 of IEC 62196- 1:2014 applies .

2 8 Creepage distances, clearances and distances

Clause 28 of IEC 62196- 1:2014 applies .

2 9 Resistance to heat, to fire and to tracking

Clause 29 of IEC 62196- 1:2014 applies .

3 0 Corrosion and resistance to rusting

Clause 30 of IEC 62196- 1:2014 applies .

3 1 Conditional short-circuit current withstand test

Clause 31 of IEC 62196- 1:2014 applies .

3 2 Electromagnetic compatibility (EMC)

Clause 32 of IEC 62196- 1:2014 applies .

3 3 Vehicle driveover

Clause 33 of IEC 62196- 1:2014 applies except as follows:

33.3 Not applicable .

33.4 Not applicable .

2 0 1 Components

NOTE This clause will be transferred to Part 1 , Clause 4 in its next revision .

2 0 1.1 Ratings

A component shall be used in accordance with its rating established for the intended conditions of use .

Compliance is checked by inspection.

2 0 1.2 Mechanical assembly

Loosening of parts in an accessory as a result of vibration due to storage, handling and operation shall not result in a risk of fire, electric shock, injury to persons .

Compliance is checked by inspection.

2 0 1.3 Current-carrying parts of incorporated components

Any component uninsulated live part shall be so secured to the base or mounting surface, or otherwise insulated that the part does not turn or shift in position resulting in a reduction of creepage distances, clearances and distances below the minimum required values of IEC 62196- 1:2014, Clause 28.

Compliance is checked by inspection.

2 0 1.4 Electrical connections

2 0 1.4.1 The requirements described in 2 0 1.4.2 to 2 0 1.4.4 apply to connections of internal wiring that are factory installed in the accessory .

Compliance is checked by inspection.

2 0 1.4.2 A splice or connection shall be mechanically secure and shall make electrical contact .

Compliance is checked by inspection .

IEC 62196-2:2016 © IEC 2016

201.4.3 A soldered connection is determined to be mechanically secure when the lead is

- wrapped one full turn around a terminal,
- bent at a right angle after being passed through an eyelet or opening, except on printed wiring boards where components are inserted or secured (as in a surface-mounted component) and wave- or lap-soldered, or
- twisted with other conductors;
- or an equivalent means .

Compliance is checked by inspection.

201.4.4 A splice shall be provided with insulation equivalent to that of the wires involved unless permanent clearance and creepage distances are maintained between the splice and other metal parts . Insulation over the splice is not prohibited from having

- a splicing device such as a pressure wire connector, having suitable voltage and temperature ratings ,
- insulating tubing or sleeving used to cover a splice .

Compliance is checked by inspection.

202 Resistor coding

The vehicle connector and plug of configurations type 2 and type 3 b and 3 c shall be provided with coding resistors (R_c) to define the maximum current capability of the cable assembly and vehicle connector and plug .

The resistor values and tolerances shall be as specified in IEC 61851- 1 :2010 , Clause B .5, " System for simultaneous proximity detection and current coding for vehicle connectors and plugs" .

Compliance is checked by inspection.

STANDARD SHEETS

CONFIGURATION TYPE 1

STANDARD SHEETS 2-1

32 A, 250 V A.C. VEHICLE COUPLER

Overview

The standard sheets 2-1 apply to configuration type 1: 32 A, 250 V a.c. single-phase vehicle couplers.

For configuration type 1, Annex A "Pilot function through a control pilot circuit using PWM modulation and a control pilot wire" and Clause B.2 "Circuits diagrams for mode 1, mode 2 and mode 3, using a basic single phase vehicle coupler" of IEC 61851-1:2010 shall be applied. +V d.c. of Table B.2 of IEC 61851-1:2010 shall be a +5 V regulated supply.

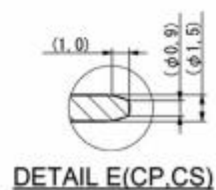
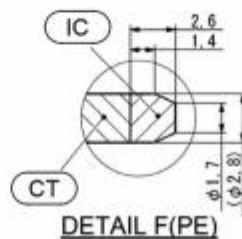
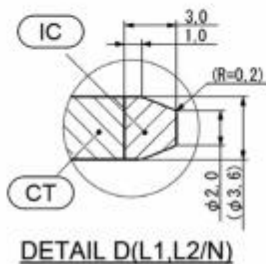
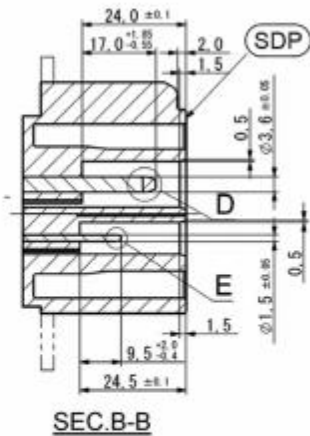
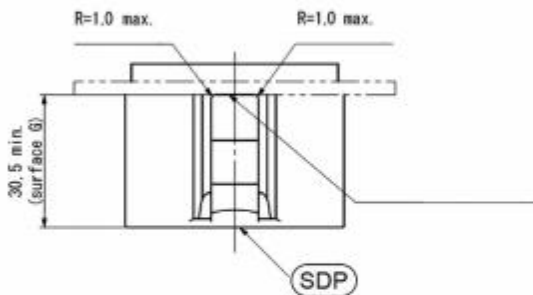
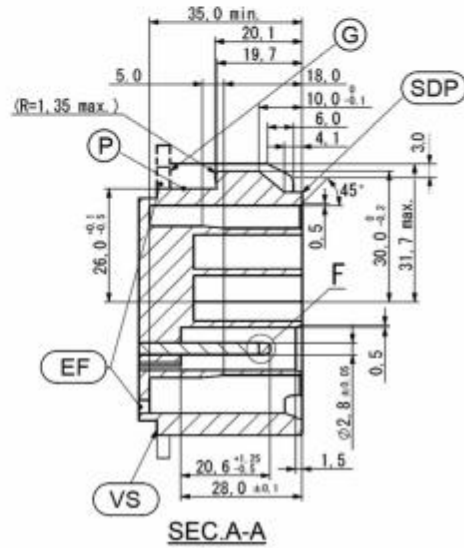
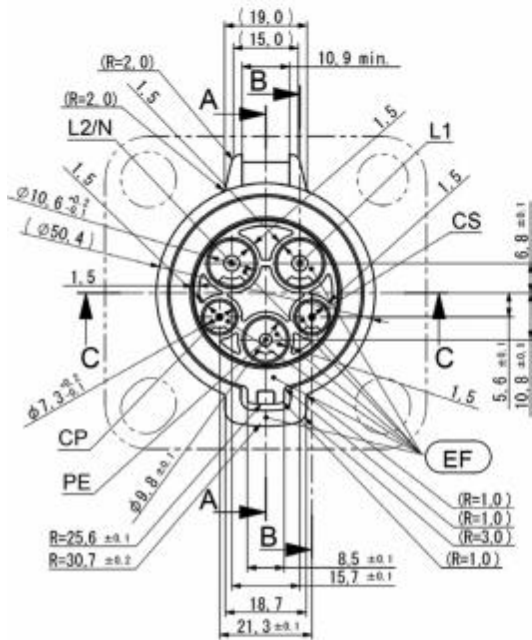
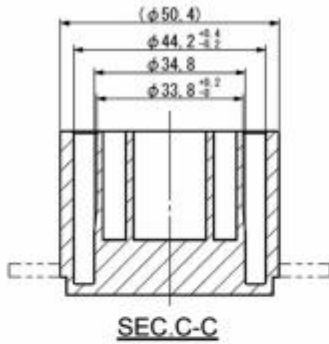
The standard sheets 2-1a defines the optional locking system.

This configuration shall not be used for mode 1 above 150 V line-to-earth.

STANDARD SHEETS 2-1

Sheet 1

32 A, 250 V A.C. VEHICLE INLET



Value in parenthesis is for reference

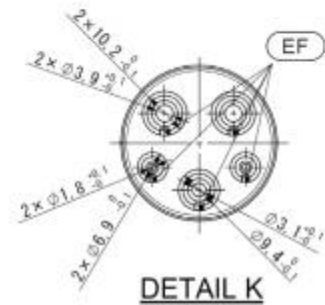
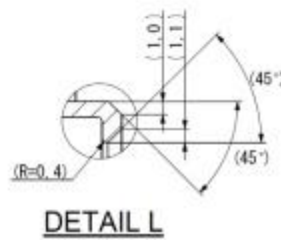
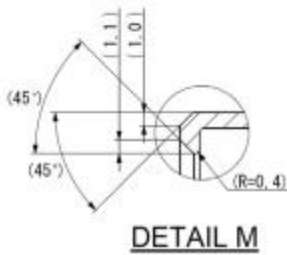
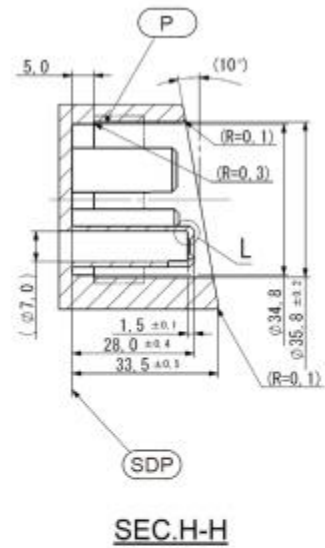
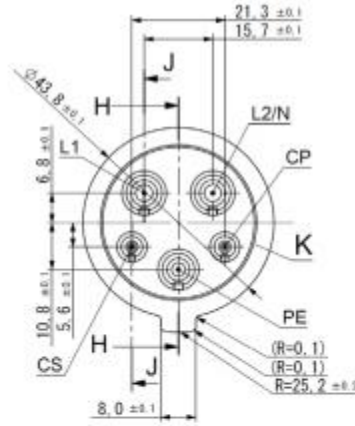
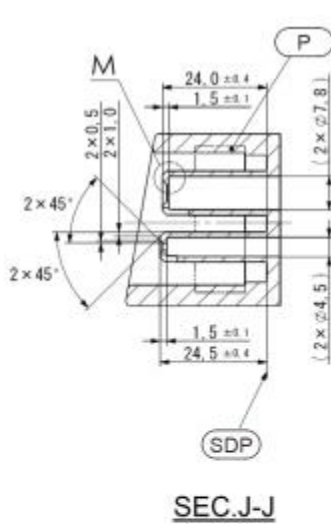
General tolerance			
0 Max: $\pm 0,15$	50 Max : $\pm 0,2$	100 Max: $\pm 0,3$	Angle: $\pm 30^\circ$

Key	Description
SDP	Standard datum plane
G	Surface G (if any)
P	Surface P
IC	Isolated cap (if necessary)
CT	Contact
EF	Egress of fluids (if necessary)
VS	Vehicle surface

STANDARD SHEET 2- I

Sheet 2 (continuation of Sheet 1)

32 A, 250 V A . C . VEHICLE CONNECTOR



IEC

Dimensions in millimetres

Value in parenthesis is for reference

General tolerance			
10 Max: ±0,15	50 Max: ±0,2	100 Max: ±0,3	Angle: ±30°

Key	Description
EF	Egress of fluids (if necessary)
P	Packing (if necessary) one of sealing method for IP4 4 when coupled with vehicle inlet
SDP	Standard datum plane of vehicle connector

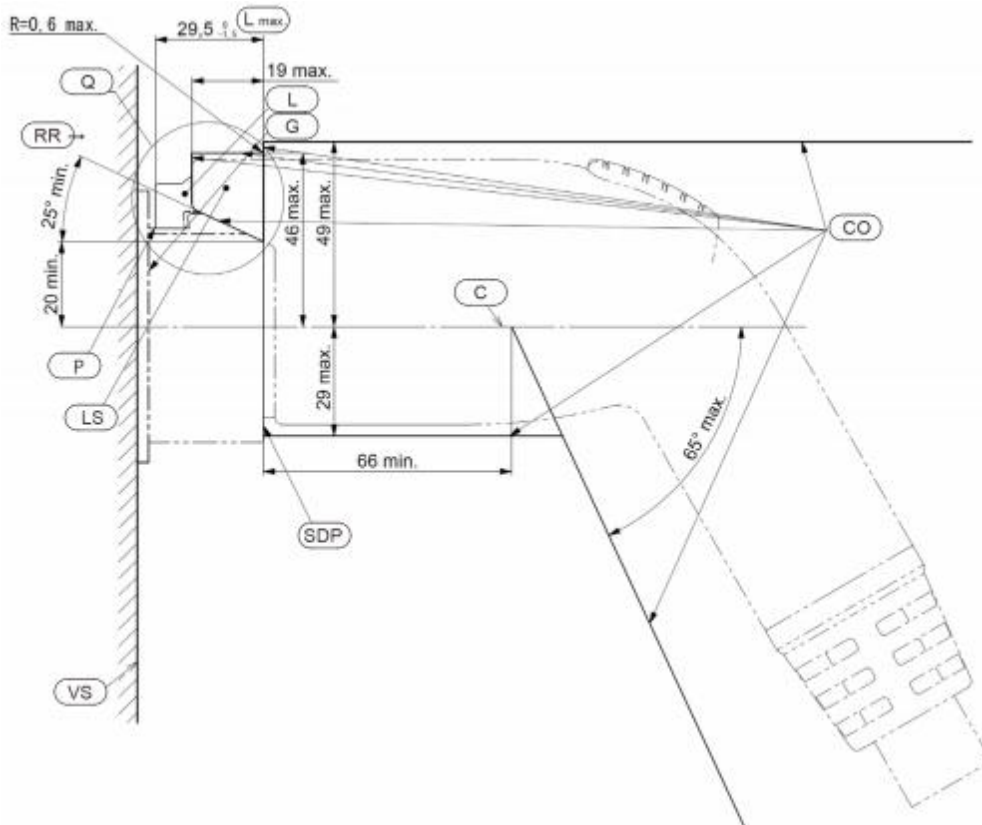
STANDARD SHEET 2- I

Sheet 3 (continuation of Sheet 2)

VEHICLE CONNECTOR
RETAINING MEANS FOR IP44 VEHICLE COUPLER
MAXIMUM DIMENSIONS OF BODY OUTLINE

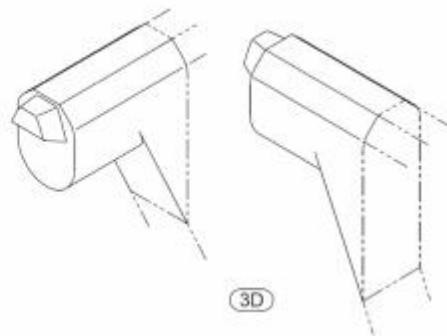
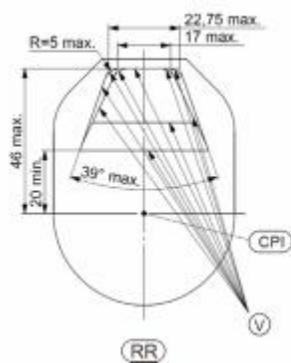
Latch shown in latched position

Dimensions in millimetres



IEC

Side view of vehicle coupler



IEC

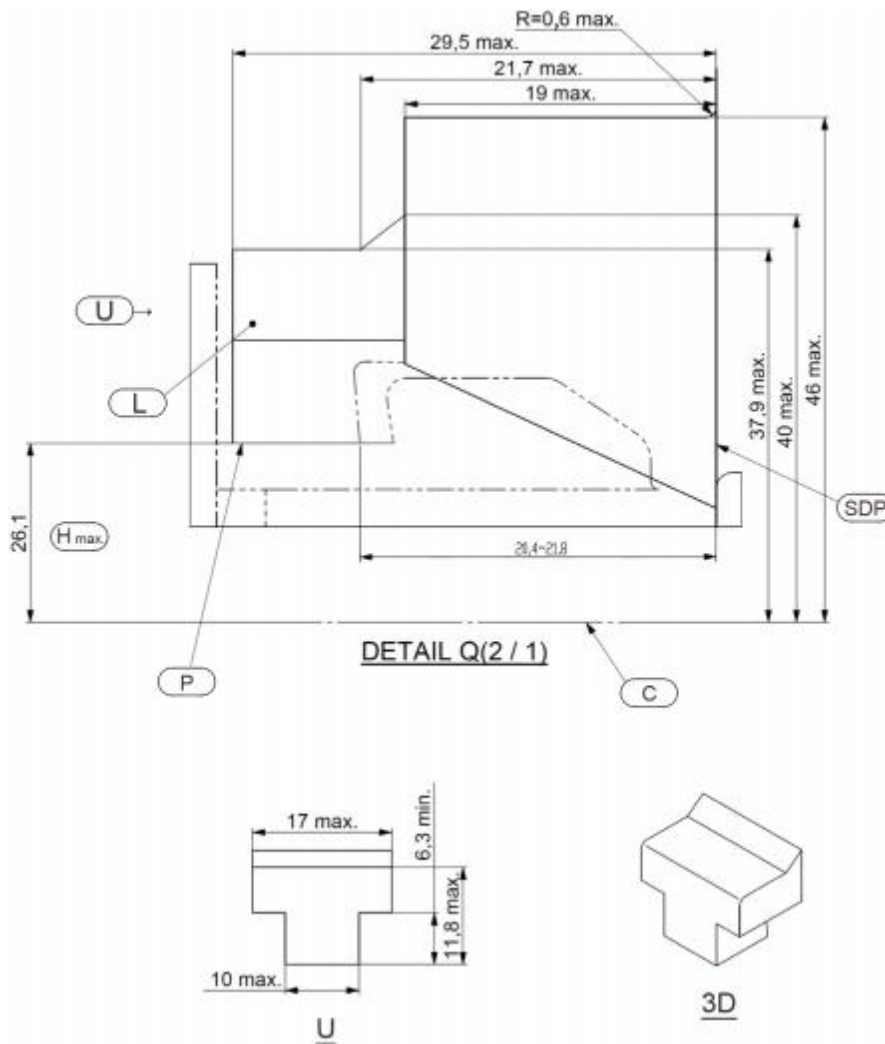
IEC 62196-2:2016 © IEC 2016

Key	Description
CO	Vehicle connector body shape shall be within these solid lines
$L_{max.}$	Restriction of latch length
C	Centre line of vehicle inlet
CPI	Centre point of vehicle inlet
SDP	Standard datum plane of vehicle inlet
LS	Shroud of latch (if any) .
VS	Vehicle surface
L	Latch
P	Surface P
G	Surface G
V	Shroud of latch shape (if any) shall be within these solid lines . Latch shall not extend beyond this profile when it is in fully " open" position .
Q	See continuation
RR	View RR indicates the shroud shape, if any
3D	3D view
NOTE	Shroud is not mandatory .

The sketches are not intended to govern the design of the vehicle connector body and latch shape except for the dimensions shown .

STANDARD SHEET 2- I
Sheet 4 (continuation of Sheet 3)
MAXIMUM OUTLINE OF LATCH

Latch shown touching surface P



IEC

The sketches are not intended to govern the design of the latch shape except for the dimensions shown .

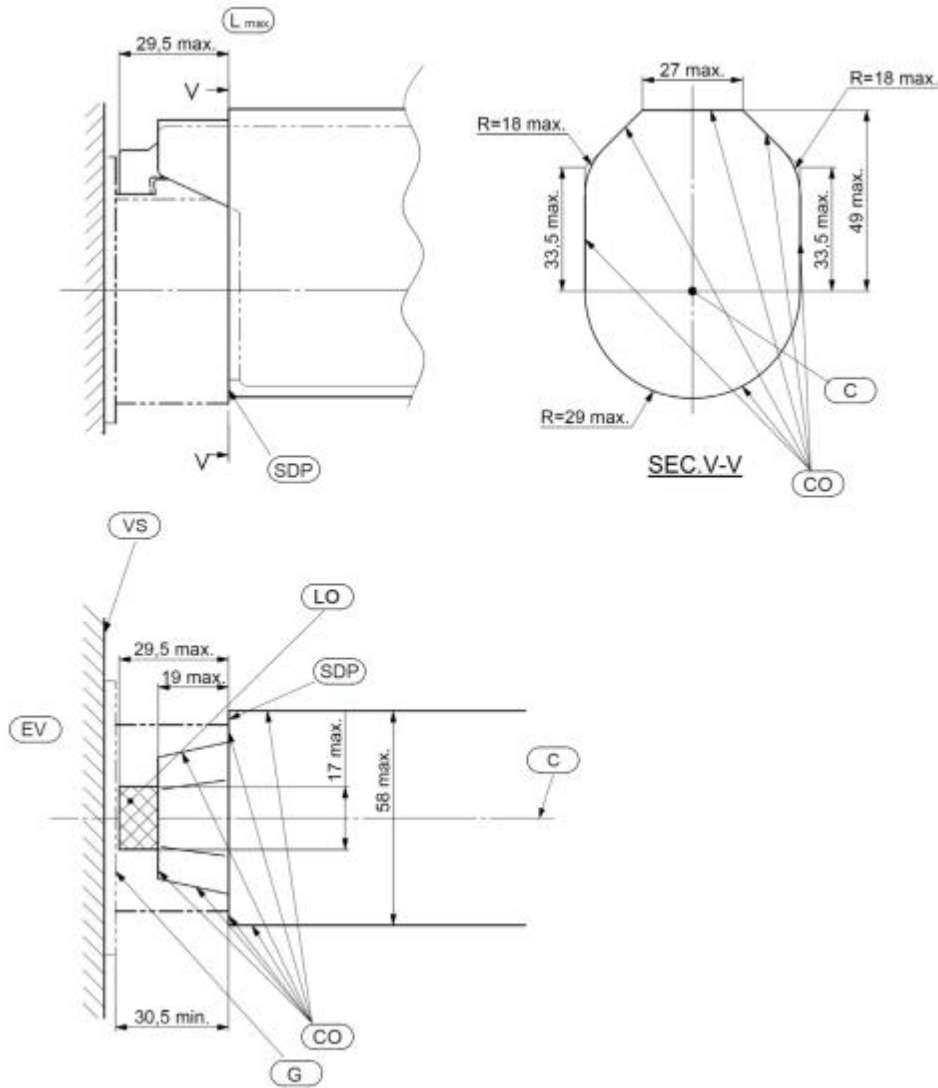
Dimensions in millimetres

Key	Description
C	Centre line of vehicle inlet
H _{max.}	Maximum height of surface P (see section A- A)
L	Latch
P	Surface P
SDP	Standard datum plane of vehicle inlet
U	Maximum outline of latch

STANDARD SHEET 2- I

Sheet 5 (continuation of Sheet 4)

VEHICLE CONNECTOR
MAXIMUM DIMENSIONS OF BODY AND LATCH OUTLINE



IEC

The sketches are not intended to govern the design of the vehicle connector body and latch shape except for the dimensions shown .

Key	Description
G	Surface G (if any)
SDP	Standard datum plane of vehicle inlet
C	Center point of vehicle inlet
L _{max}	Restriction of latch length
CO	Vehicle connector body shape shall be within these solid lines
EV	Electric vehicle
LO	The latch shall be within this shaded zone
VS	Vehicle surface

STANDARD SHEET 2- 1a

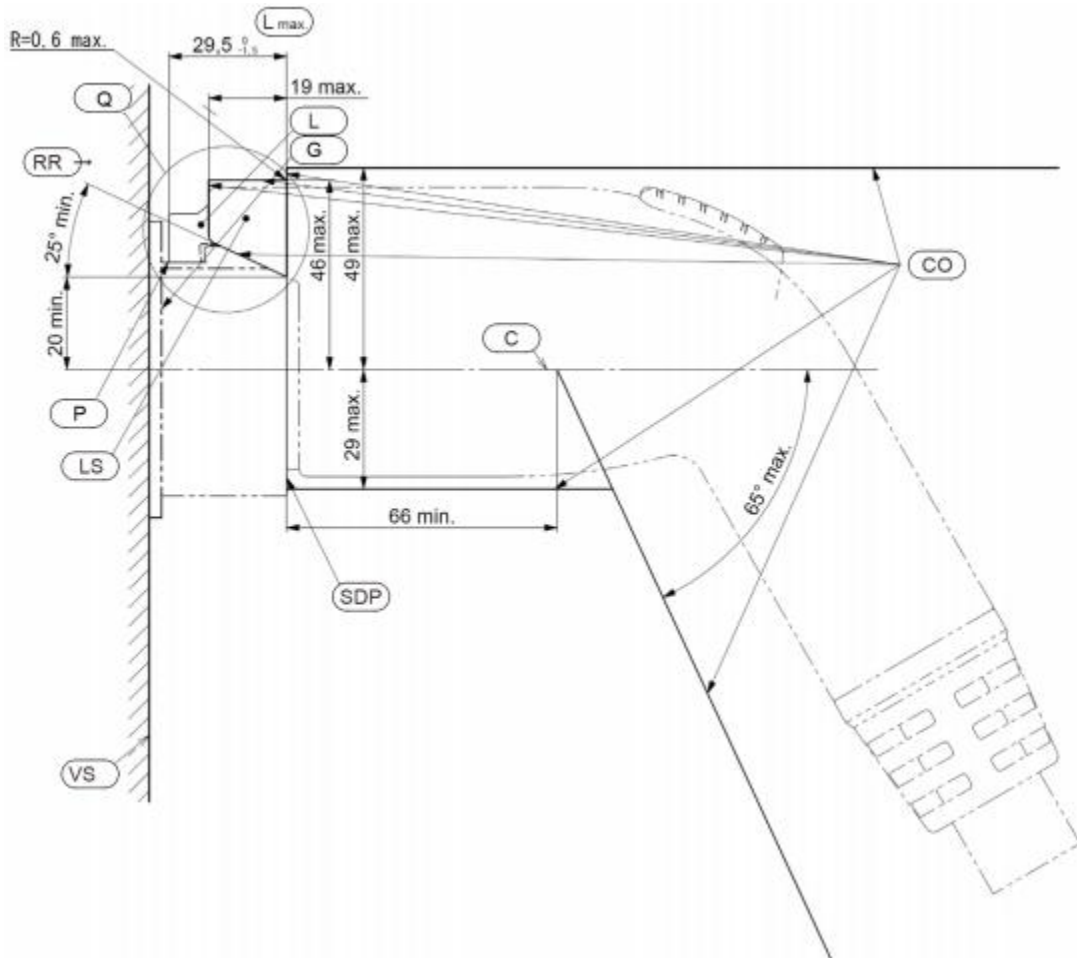
Sheet 1

VEHICLE CONNECTOR
OPTIONAL LOCKING SYSTEM

RETAINING MEANS FOR IP44 VEHICLE COUPLER
MAXIMUM DIMENSIONS OF BODY OUTLINE

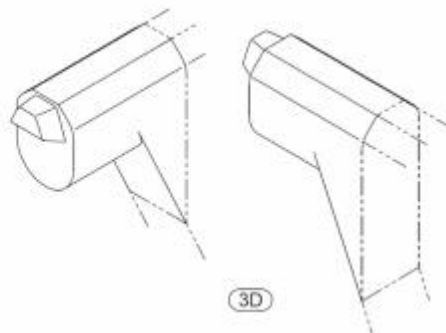
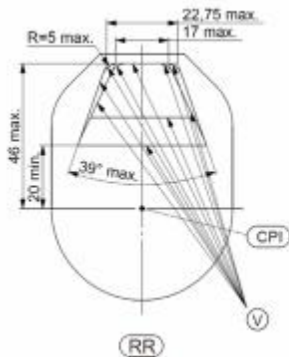
Latch shown in latched position

Dimensions in millimetres



IEC

Side view of vehicle coupler



IEC

IEC 62196-2:2016 © IEC 2016

Key	Description
CO	Vehicle connector body shape shall be within these solid lines
L _{max.}	Restriction of latch length
C	Centre line of vehicle inlet
CPI	Centre point of vehicle inlet
SDP	Standard datum plane of vehicle inlet
LS	Shroud of latch (if any)
VS	Vehicle surface
L	Latch
Q	See continuation
RR	View RR indicates shroud shape, if any
G	Surface G
P	Surface P
V	Shroud of latch shape (if any) shall be within these solid lines . Latch shall not extend beyond this profile when it is in fully "open" position .
3D	3 D view
NOTE	Shroud is not mandatory .

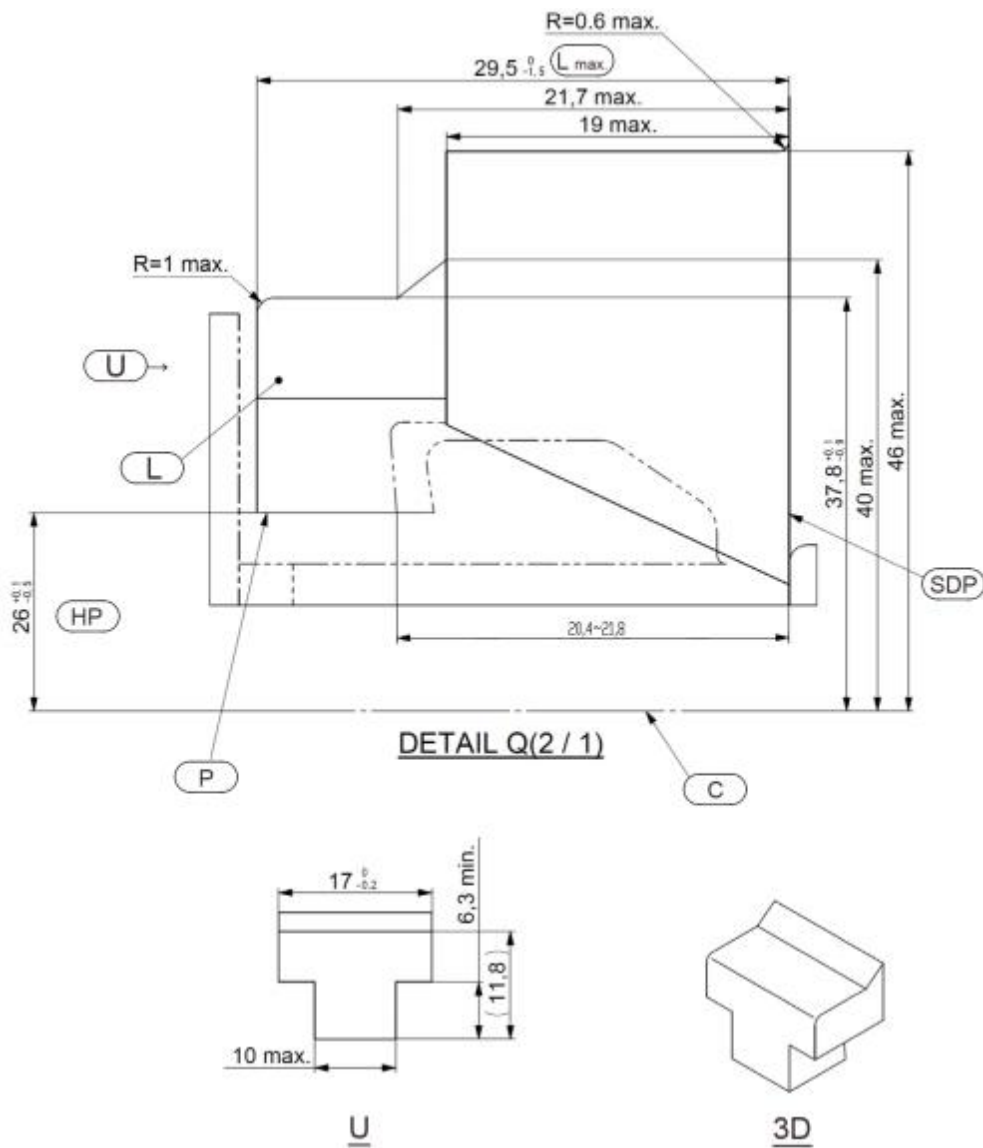
The sketches are not intended to govern the design of the vehicle connector body and latch shape except for the dimensions shown .

STANDARD SHEET 2- 1a
Sheet 2 (continuation of Sheet 1)
MAXIMUM OUTLINE OF LATCH

Dimensions in millimetres

Latch shown in touching surface P

The sketches are not intended to govern the design of the latch shape except for the dimensions shown .



IEC

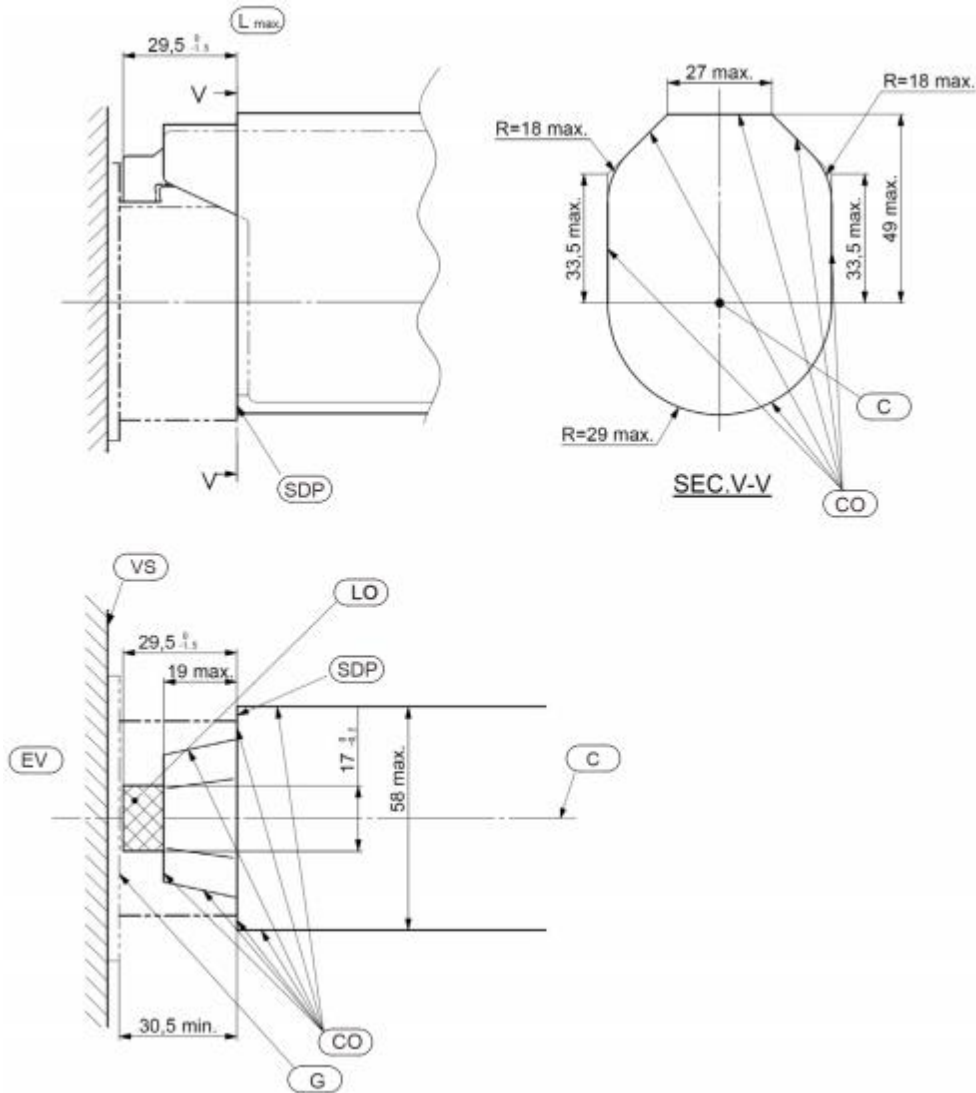
Key	Description
C	Centre line of vehicle inlet
HP	Height of surface P (see section A- A of standard sheet 2- 1)
L	Latch
P	Surface P
SDP	Standard datum plane of vehicle inlet
U	Maximum outline of latch
L _{max.}	Restriction of latch length

STANDARD SHEET 2- 1a

Sheet 3 (continuation of Sheet 2)

**VEHICLE CONNECTOR
MAXIMUM DIMENSIONS OF BODY AND LATCH OUTLINE**

Dimensions in millimetres



IEC

The sketches are not intended to govern the design of the vehicle connector body and latch shape except for the dimensions shown .

Key	Description
G	Surface G (if any)
SDP	Standard datum plane of vehicle inlet
C	Center point of vehicle inlet
L _{max}	Restriction of latch length
CO	Vehicle connector body shape shall be within these solid lines
EV	Electric vehicle
LO	The latch shall be within this shaded zone
VS	Vehicle surface

CONFIGURATION TYPE 2

STANDARD SHEETS 2-II

63 A, 480 V THREE- PHASE OR 70 A, 250 V SINGLE PHASE ACCESSORIES

Overview

The standard sheets 2- II apply to configuration type 2 : 63 A, 480 V a . c . three-phase and 70 A, 250 V a . c . single-phase accessories .

For configuration type 2 , the following specifications are applicable:

Interlocking and latching of the accessories is mandatory to prevent them from unintentional separation and breaking under load . The interlocking shall insure that the energy transmission is stopped before separation .

NOTE Interlocking can be performed by mechanical or electromechanical means .

The interlocking means shall offer a feedback to show that the mechanism is in correct engagement . At least one latching means shall be provided .

The feedback can be offered e . g . by a supplementary contact .

The pilot function shall be realized by implementation of IEC 61851- 1 :2010 , Annex A "Pilot function through a control pilot circuit using PWM modulation and a control pilot wire . "

Proximity detection and current coding shall be implemented according to IEC 61851- 1 :2010 , Clause B .5 "System for simultaneous proximity detection and current coding for vehicle connectors and plugs" .

Interoperability of configuration type 2 accessories is indicated in Table 204 .

Table 204 – Interoperation of configuration type 2 accessories

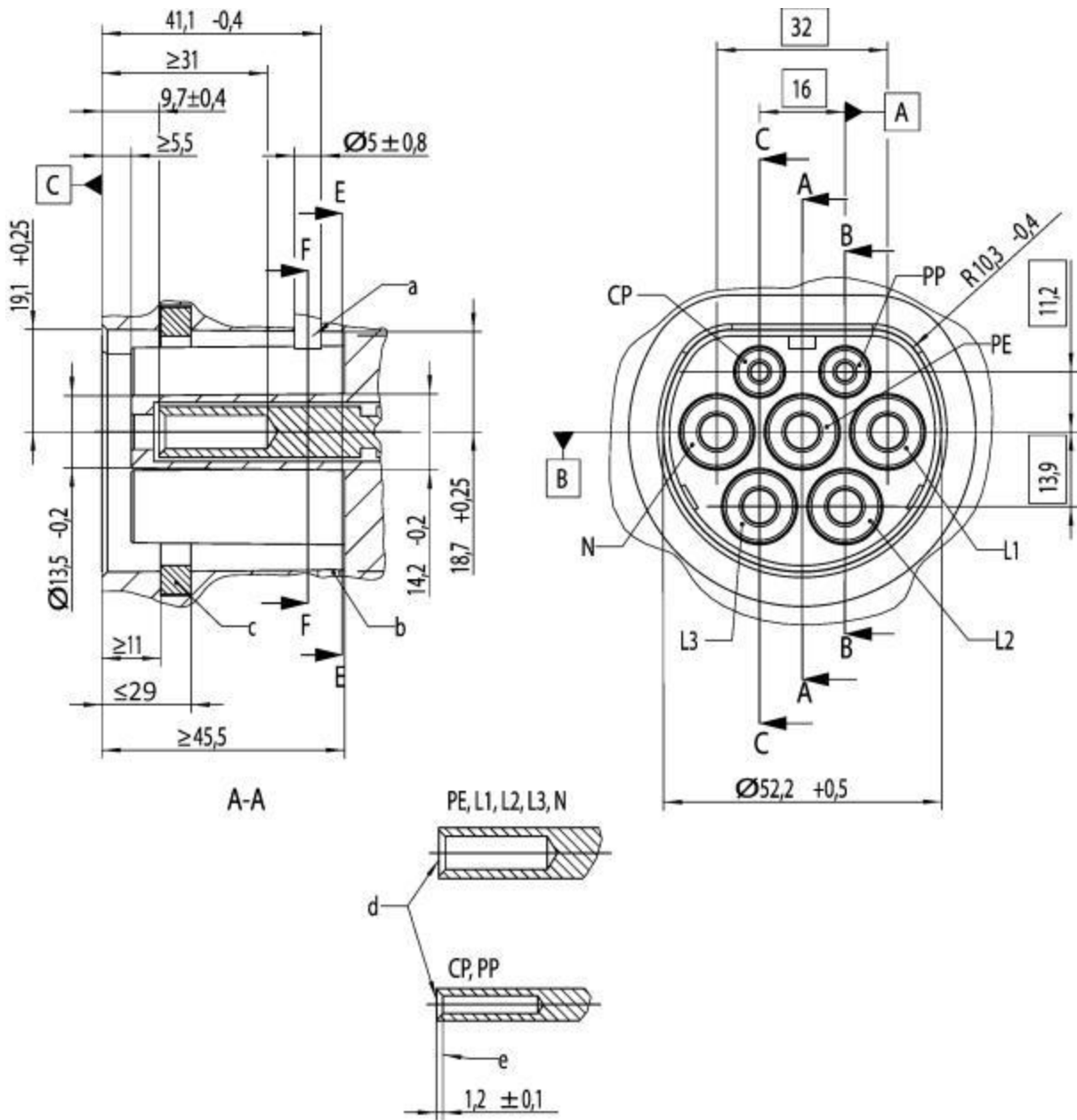
Accessory ^a	Plug (mode 3) Sheet 2 - IIb	Vehicle inlet (all modes) Sheet 2 - IIc	Vehicle inlet (modes 2 and 3) Sheet 2 - IIe
Socket -outlet (mode 3) Sheet 2 - IIa	Yes	n . a . ^d	n . a . ^d
Vehicle connector (mode 1) Sheet 2 - IIc	Nob	Yes	Nob
Vehicle connector (modes 2 and 3) Sheet 2 - IIe	Noc	Yes	Yes
^a Type 2 accessories shall only be used in the modes as listed in this tabulation . ^b Interoperability excluded by mechanical coding . ^c Interoperability excluded by gap in control pilot circuit . ^d Fixed accessories cannot be connected together .			

Standard Sheets 2- IIg and 2- IIh define packaging rooms to ensure compatibility .

STANDARD SHEET 2- IIa

Sheet 1

SOCKET- OUTLET
63 A, 480 V THREE- PHASE OR 70 A, 250 V SINGLE PHASE



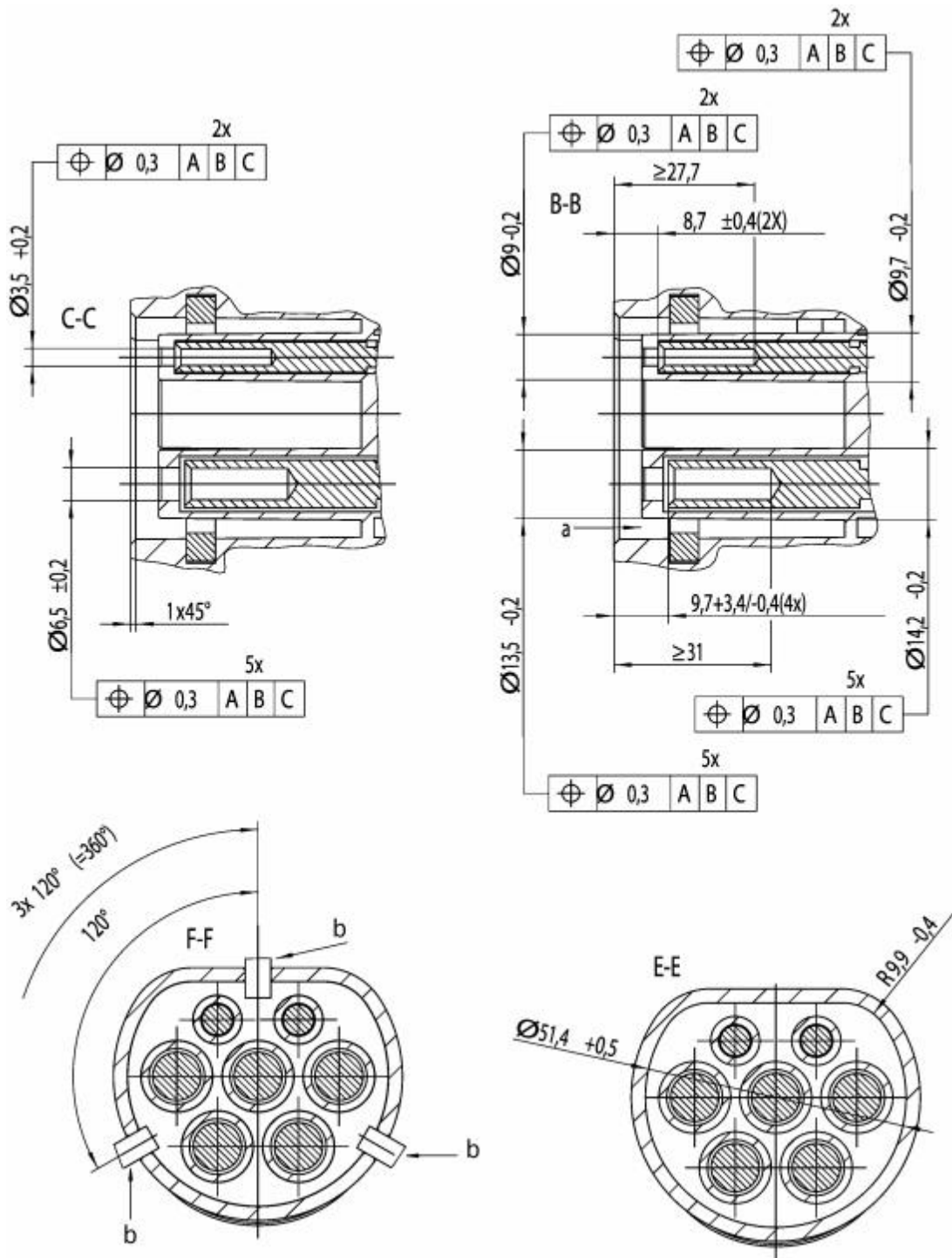
IEC

Undimensioned radii: R 0,5 mm to 0,7 mm

- a Latching means construction to customer's decision
- b Optional drain hole
- c Sealing area (optional sealing) . The plug area from 11 to 16,7 has to be kept free of shrinkage, tool cuts and ejector marks . See 2- IIb sheet 1 .
- d Tip of sleeves chamfered for easy insertion
- e Contact point

For single phase socket- outlets, contacts L2 and L3 including the surrounding insulation can be omitted .

STANDARD SHEET 2- IIa
Sheet 2 (continuation of Sheet 1)



IEC

Undimensioned radii: R 0,5 mm to 0,7 mm

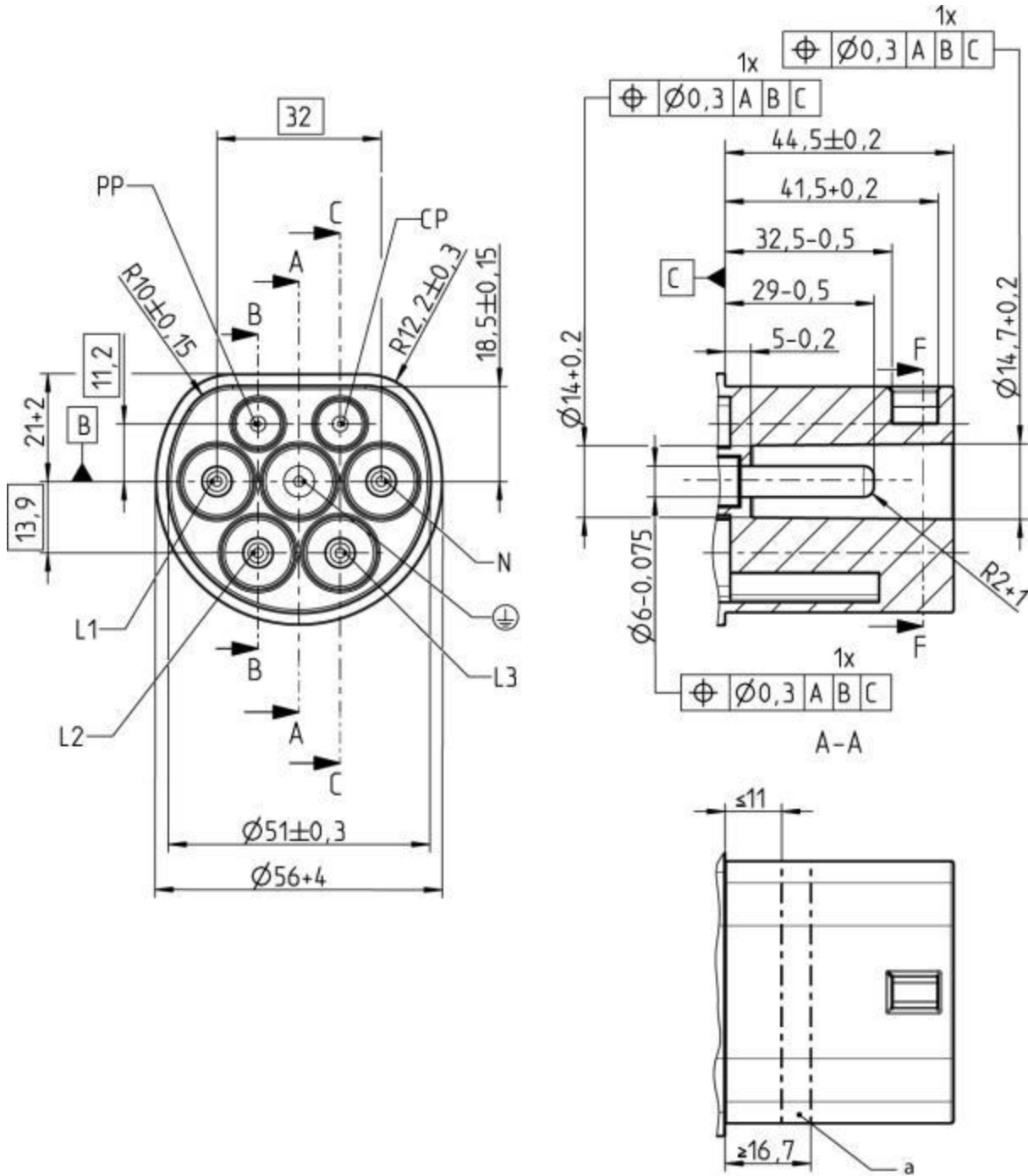
- a Preferred area for optional shutter . Mechanism might exceed this area .
- b Latching means positions . At least one Latching means provided .

STANDARD SHEET 2- IIB

Sheet 1

PLUG

63 A, 480 V THREE- PHASE OR 70 A, 250 V SINGLE PHASE



IEC

Undimensioned radii: R 0,5 mm to 0,7 mm

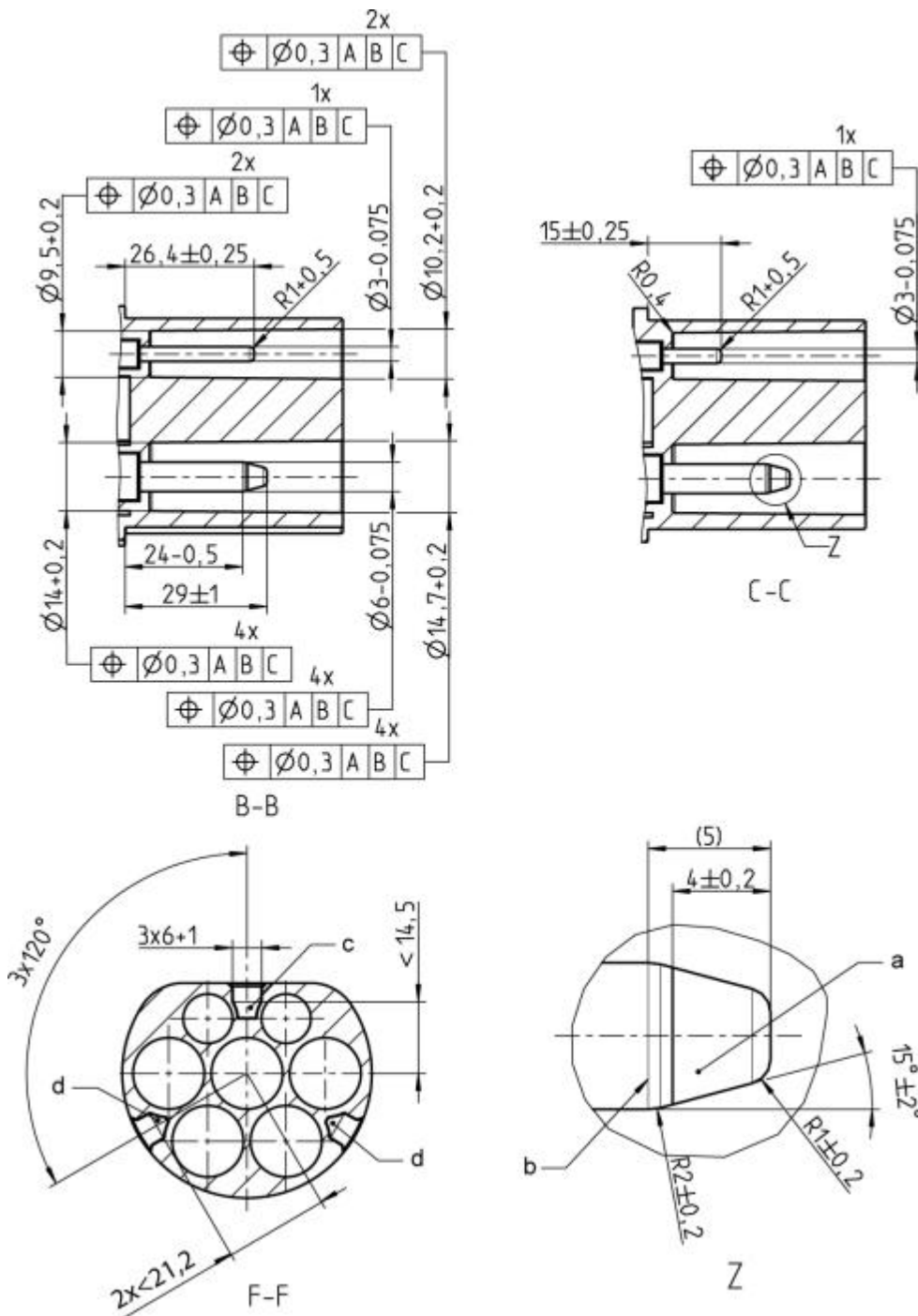
a Sealing area, free of sinkage, toolcuts and ejectors .

Surface roughness in sealing area: $R_a = 0,7$ μ m

For single phase plugs the contacts L2 and L3 can be omitted .

STANDARD SHEET 2- IIB

Sheet 2 (continuation of Sheet 1)



IEC

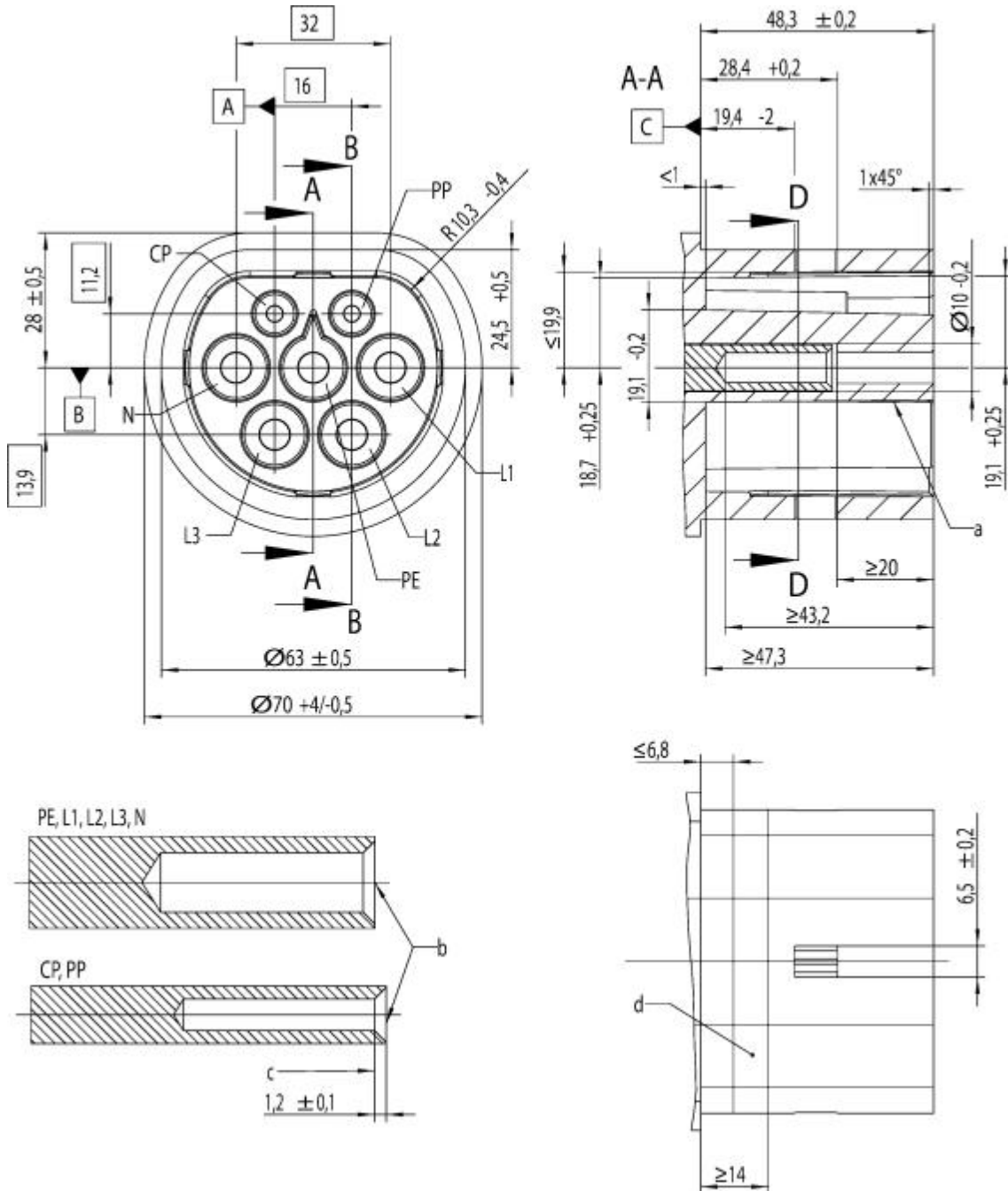
Undimensioned radii: R 0,5 mm to 0,7 mm

- a Isolated cap
- b No sharp edges acceptable at the transition region
- c The cavity shall have a rectangular shape with smooth edges with the dimensions indicated and shall be within the prescribed limits over the distance $< 14,5$ mm . Beyond this, limits of the cavity may have a different shape and different dimensions .
- d The cavity shall have a rectangular shape with smooth edges with the dimensions indicated and shall be within the prescribed limits over the distance $< 21,2$ mm . Beyond these limits the cavity may have a different shape and dimension .

STANDARD SHEET 2- IIc

Sheet 1

VEHICLE CONNECTOR
63 A, 480 V THREE- PHASE OR 70 A, 250 V SINGLE PHASE



IEC

Undimensioned radii: R 0,5 mm to 0,7 mm

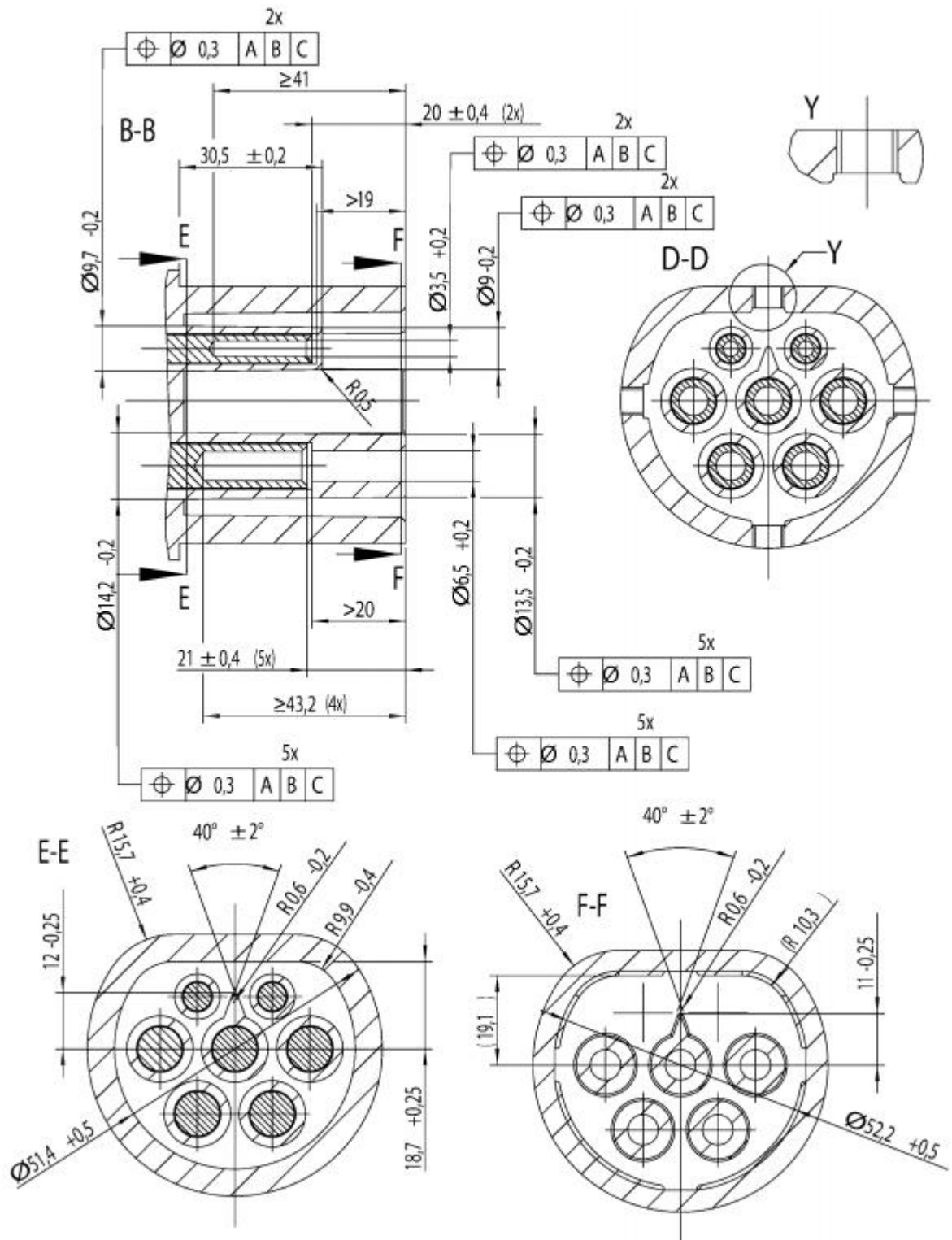
- a All the domes may be shortened by 17,8 mm if a shutter is used
- b Tip of sleeves chamfered for easy insertion
- c Contact point
- d Sealing area free of sinkage, toolcuts and ejectors

Surface roughness in sealing area: $R_a = 0,7 \mu m$

For single phase connectors the contacts L2 and L3 including the surrounding insulation can be omitted

STANDARD SHEET 2- IIc

Sheet 2 (continuation of Sheet 1)



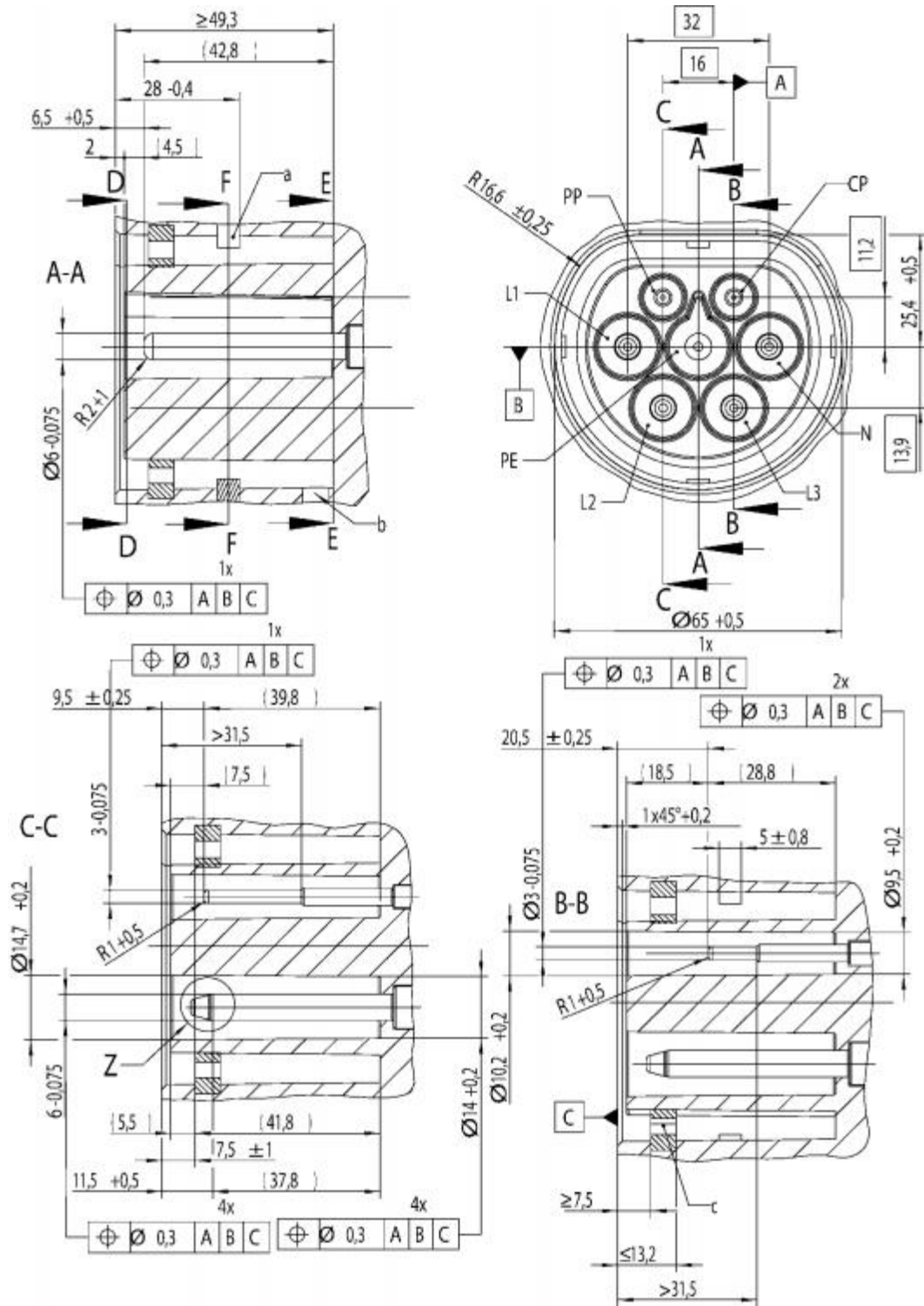
IEC

Undimensioned radii: R 0,5 mm to 0,7 mm

STANDARD SHEET 2- IId

Sheet 1

VEHICLE INLET
63 A, 480 V THREE- PHASE OR 70 A, 250 V SINGLE PHASE



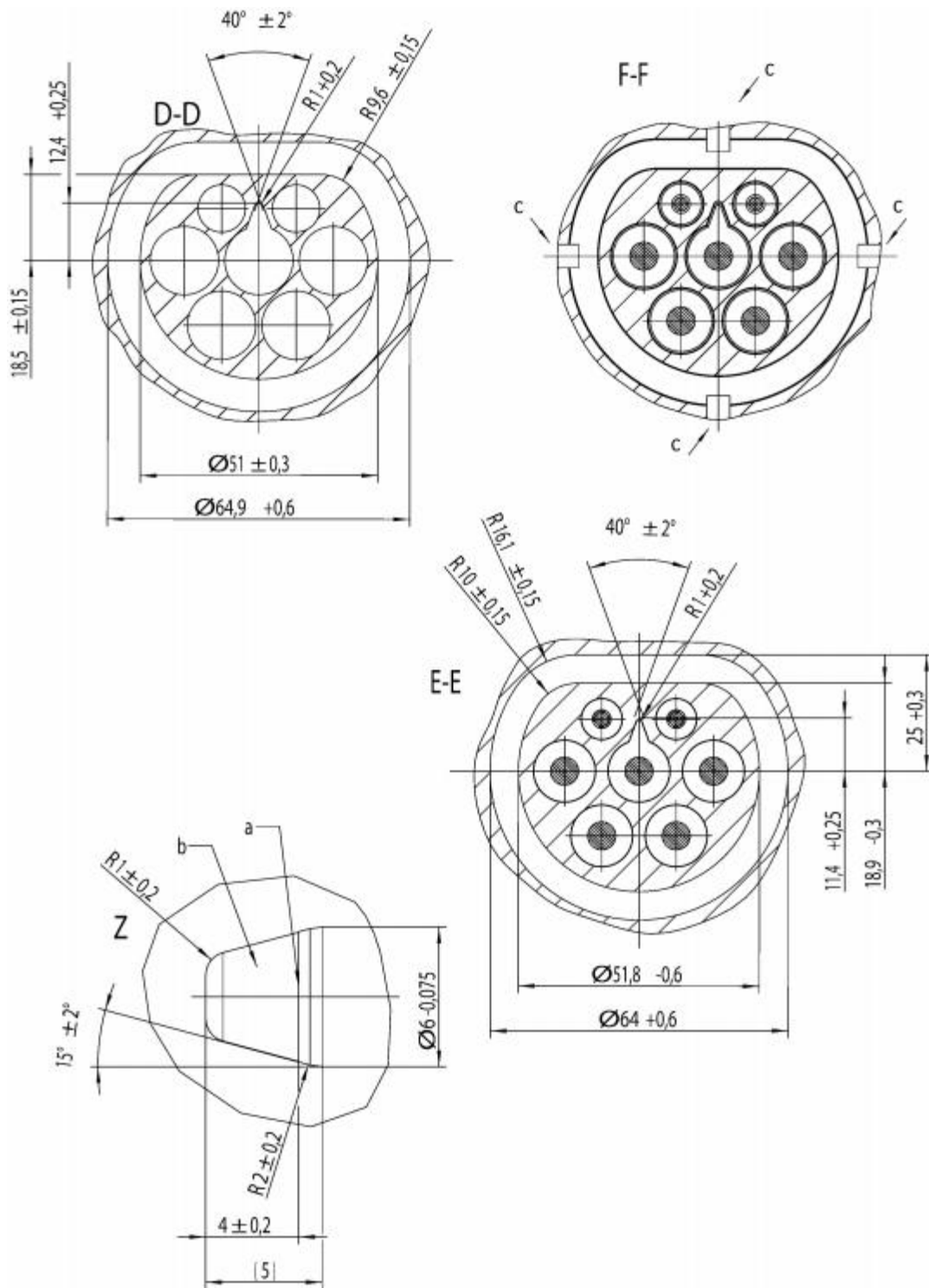
IEC

- a Latching means , construction to customers decision
- b Optional drain hole
- c Sealing area (optional sealing)

Undimensioned radii: R 0,5 mm to 0,7 mm
For single phase inlets the contacts L2 and L3 can be omitted .

STANDARD SHEET 2- IId

Sheet 2 (continuation of Sheet 1)



IEC

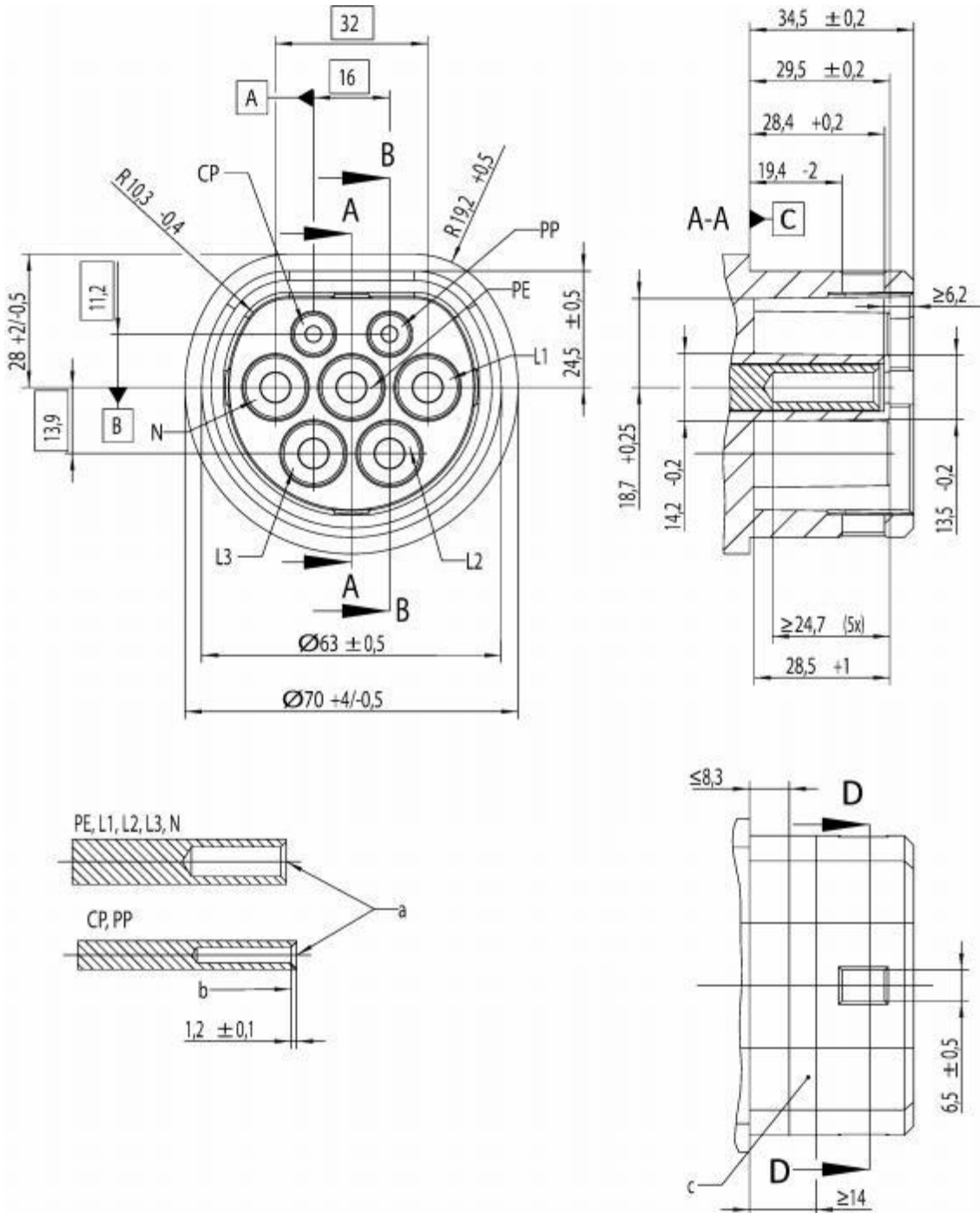
Undimensioned radii: R 0,5 mm to 0,7 mm

- a No sharp edges acceptable at the transition region
- b Isolated cap
- c Latching means positions . At least one latching means provided .

STANDARD SHEET 2- IIe

Sheet 1

VEHICLE CONNECTOR
63 A, 480 V THREE- PHASE OR 70 A, 250 V SINGLE PHASE



IEC

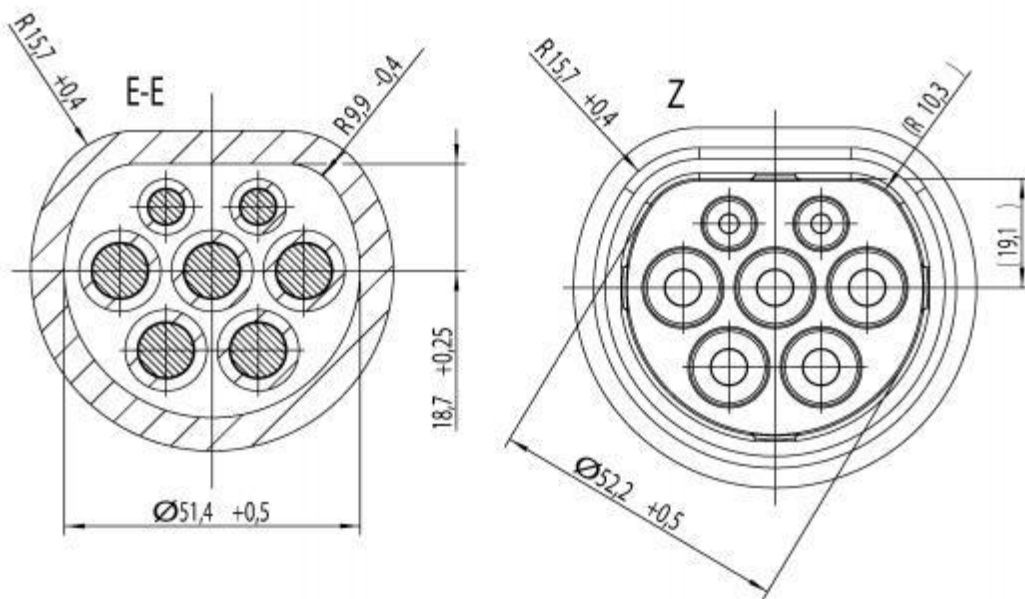
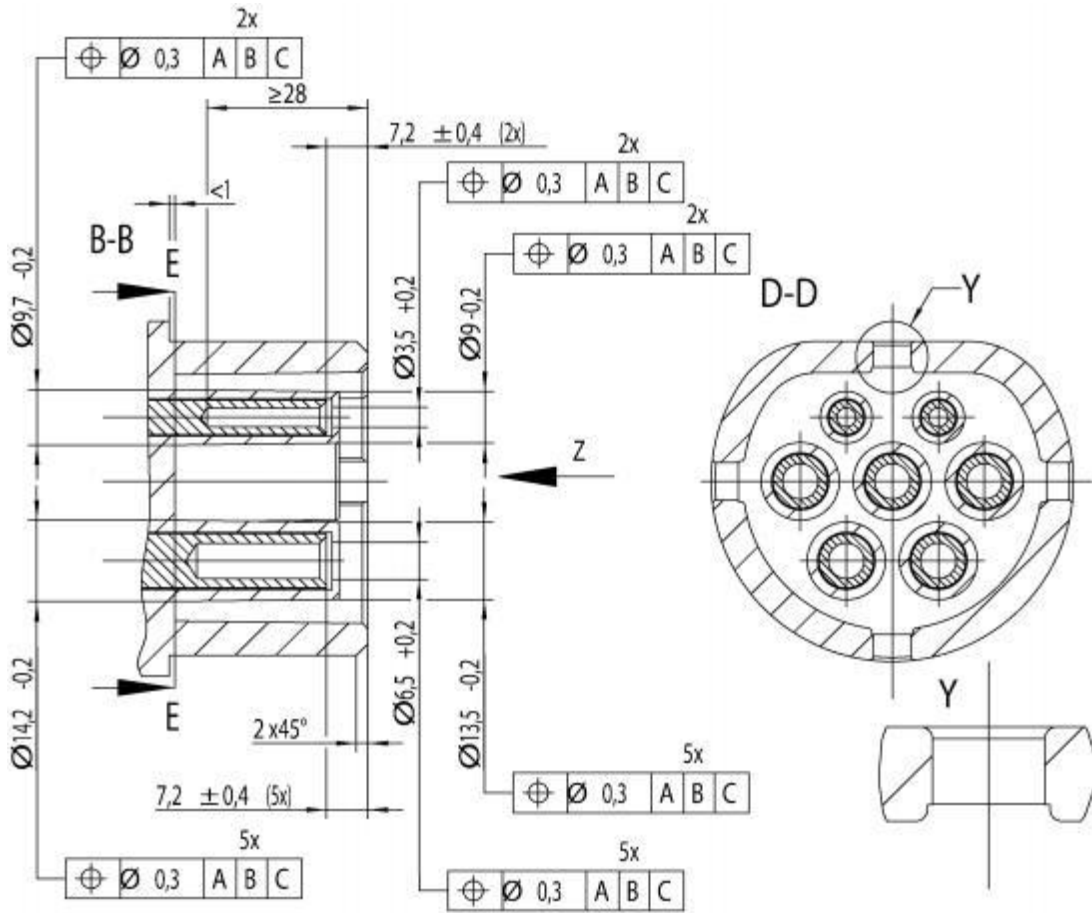
Undimensioned radii: R 0,5 mm to 0,7 mm

- a Tip of sleeves chamfered for easy insertion
- b Contact point
- c Sealing area free of sinkage, toolcuts and ejectors

Surface roughness in sealing area: $R_a = 0,7 \mu\text{m}$

For single phase connectors the contacts L2 and L3 including the surrounding insulation can be omitted .

STANDARD SHEET 2- IIe
Sheet 2 (continuation of Sheet 1)



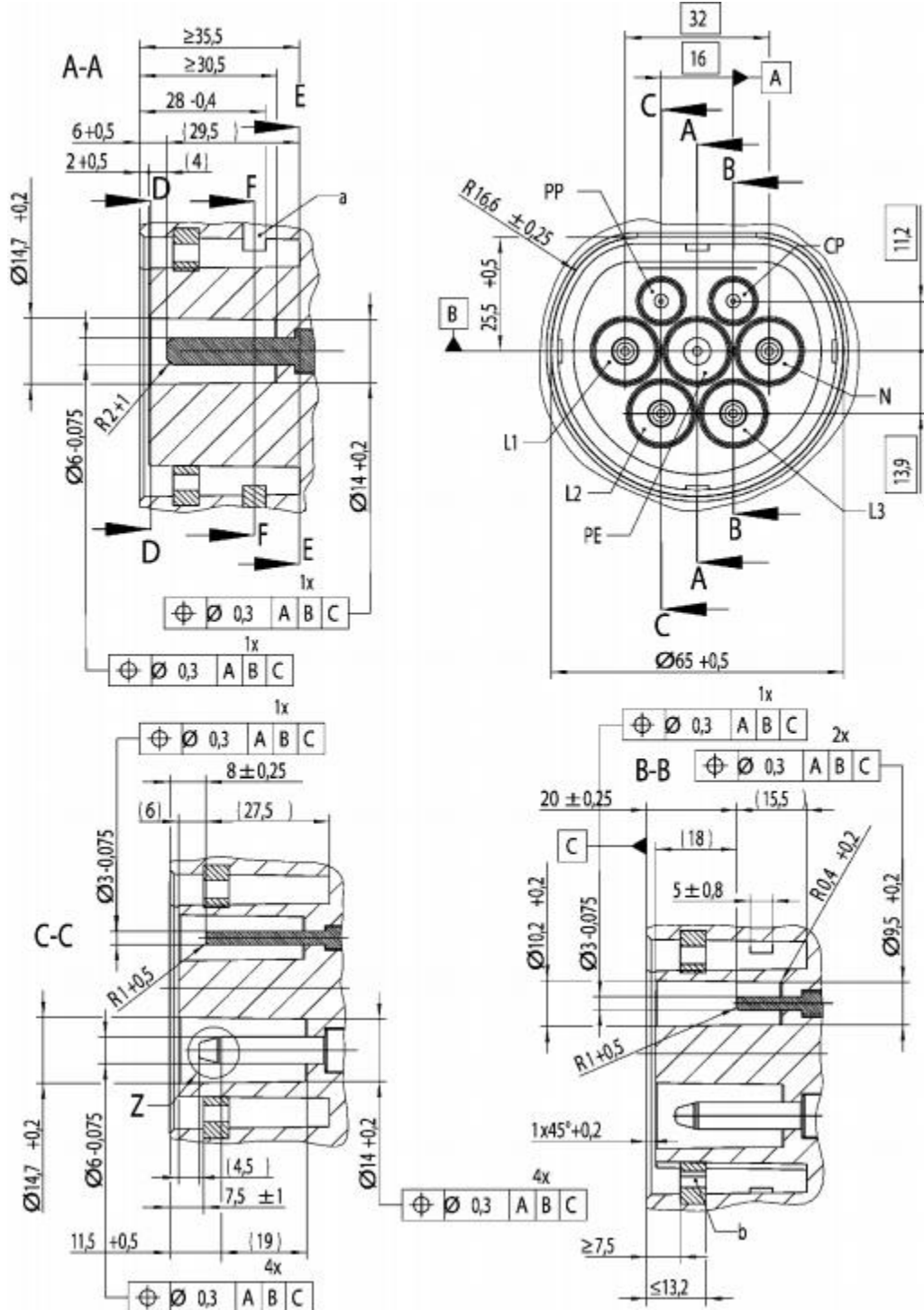
IEC

Undimensioned radii: R 0,5 mm to 0,7 mm

STANDARD SHEET 2- IIf

Sheet 1

VEHICLE INLET
63 A, 480 V THREE- PHASE OR 70 A, 250 V SINGLE PHASE



IEC

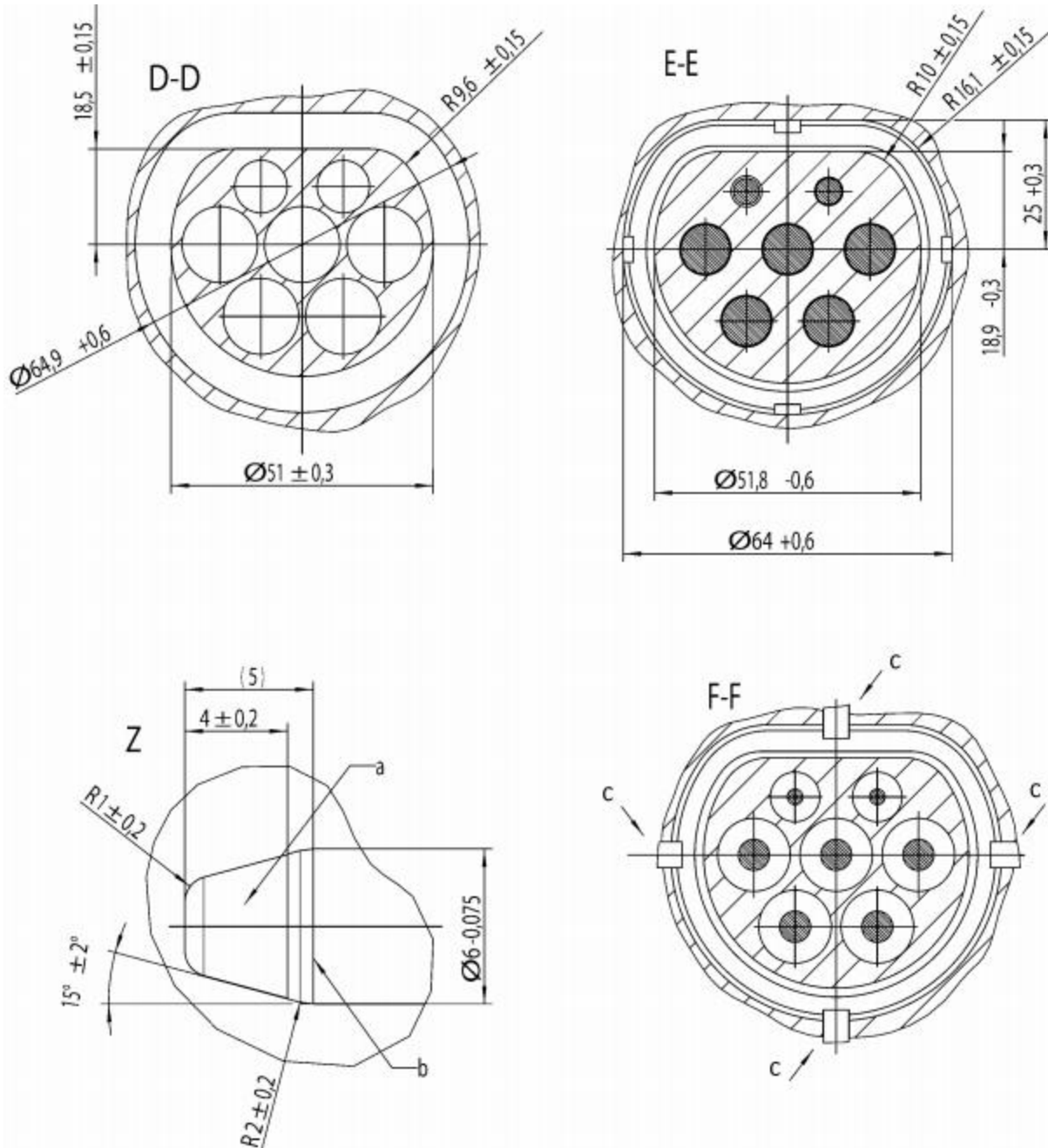
Undimensio ned radii: R 0,5 mm to 0,7 mm

a Latching means construction to customer's decision

b Sealing area (optional sealing)

For single phase inlets the contacts L2 and L3 can be omitted .

STANDARD SHEET 2- IIF
Sheet 2 (continuation of Sheet 1)



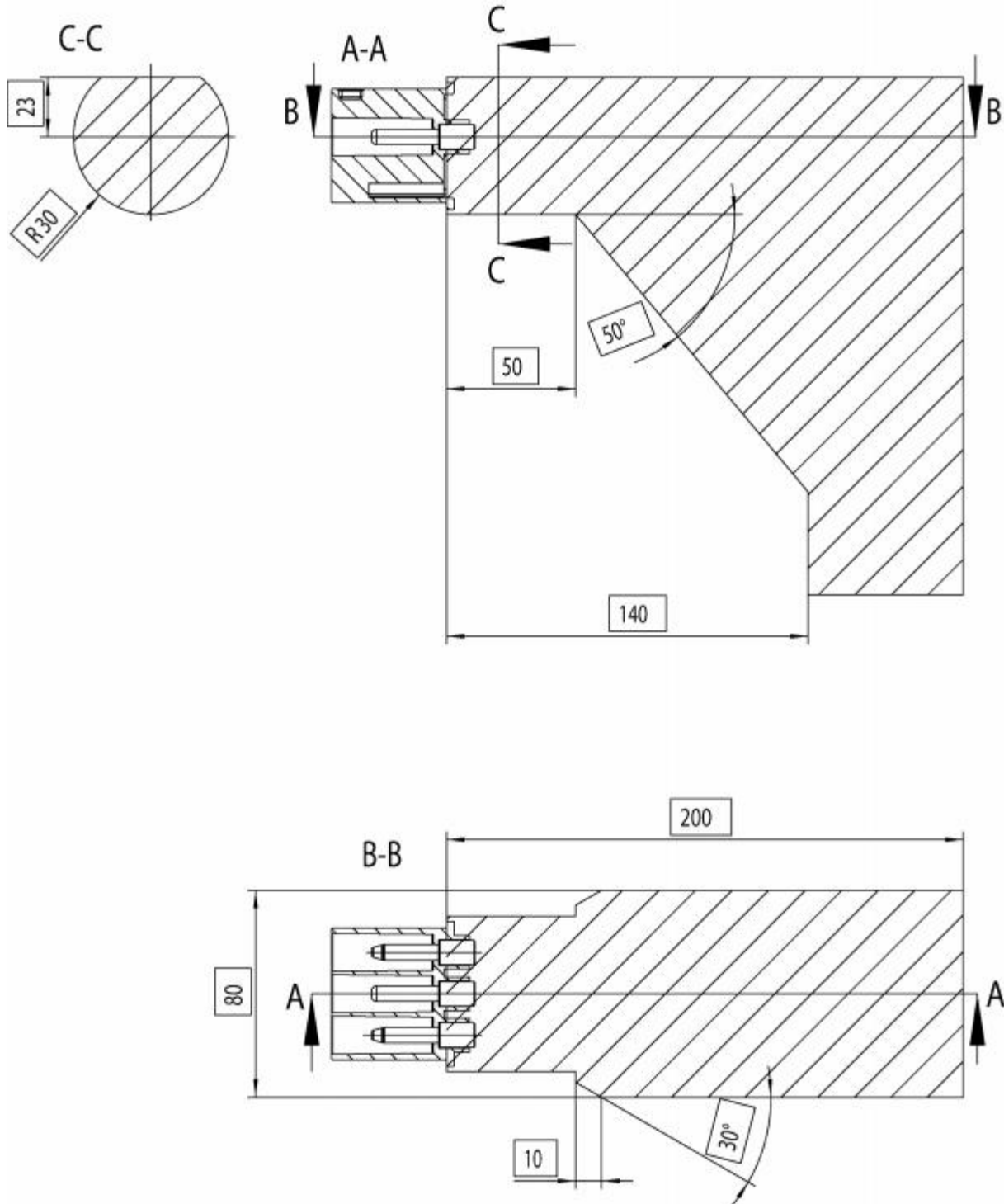
IEC

Undimensioned radii: R 0,5 mm to 0,7 mm

- a Isolated cap
- b No sharp edges acceptable at the transition region
- c Latching means positions . At least one latching means provided .

STANDARD SHEET 2- IIg

PLUG
PACKAGING ROOM

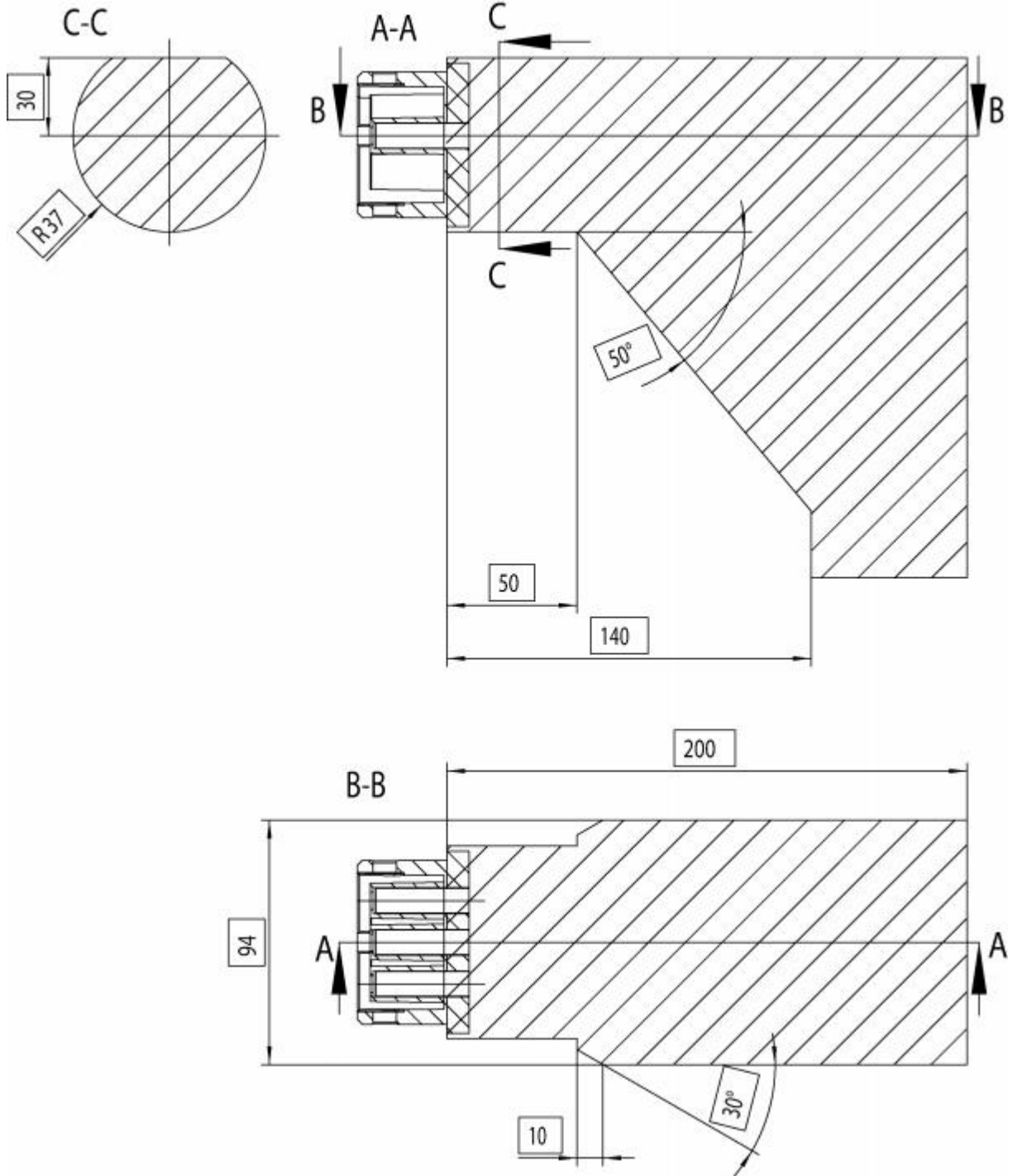


IEC

Plug body shape shall be within the shaded area .

STANDARD SHEET 2- IIh

VEHICLE CONNECTOR
PACKAGING ROOM



IEC

Vehicle connector body shape shall be within the shaded area .

IEC 62196-2:2016 © IEC 2016

CONFIGURATION TYPE 3

STANDARD SHEETS 2-III

63 A, 480 V THREE- PHASE, 16 A AND 32 A, 250 V SINGLE PHASE ACCESSORIES

Overview

The standard sheets 2- III apply to configuration type 3 : 63 A, 480 V a . c . three-phase and 250 V a . c . single-phase accessories .

For configuration type 3 , the following specifications are applicable:

Interlocking of the accessories is provided and it is intended to be used according to the requirements on IEC 61851- 1 :2010 .

Interlocking and latching of accessories rated 63 A is mandatory .

NOTE 1 Interlocking can be performed by mechanical or electromechanical means .

The interlocking means shall offer a feedback to show that the mechanism is in correct engagement .

The pilot contact is intended to be used according to of IEC 61851- 1 :2010 , Annex A .

When the PP contact is used for the simultaneous proximity detection and current capability coding of the cable assembly set the contact is intended to be used according to Clause B .5 of IEC 61851- 1 :2010 , "System for simultaneous proximity detection and current coding for vehicle connectors and plugs ."

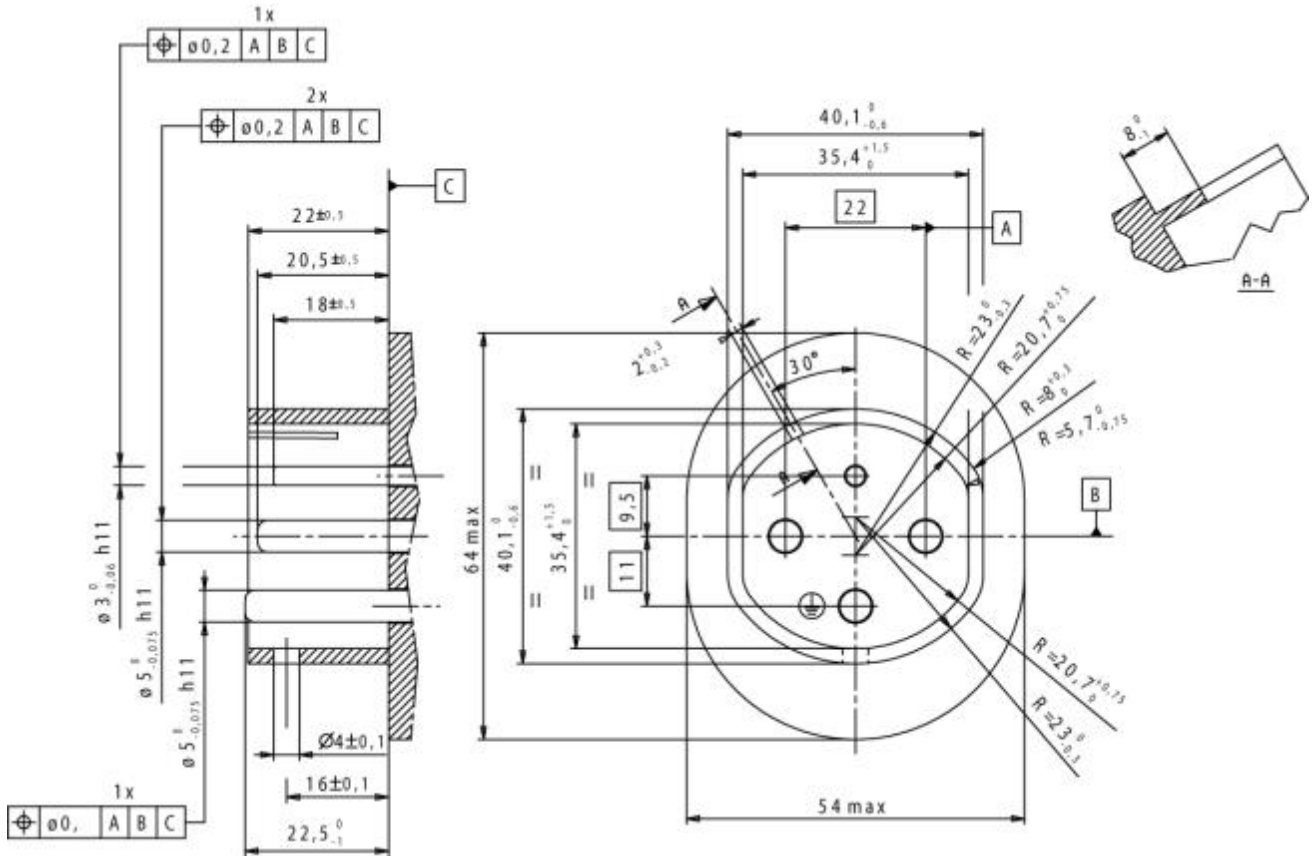
Standard Sheets 2– III d are latching means and recommendations for packaging rooms .

NOTE 2 Keeping plugs and vehicle connectors in the shaded areas and keeping any part of socket- outlets/ vehicle inlets outside the shaded areas will guarantee compatibility .

STANDARD SHEETS 2 - IIIa

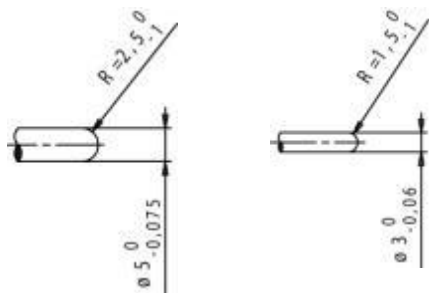
Sheet 1

16 A, 250 V SINGLE- PHASE PLUG WITH 1 PILOT CONTACT



IEC

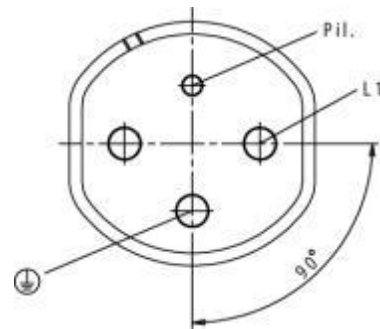
End of pins



Earth/ Phase/ Neutral contacts

Pilot

Arrangement of pins

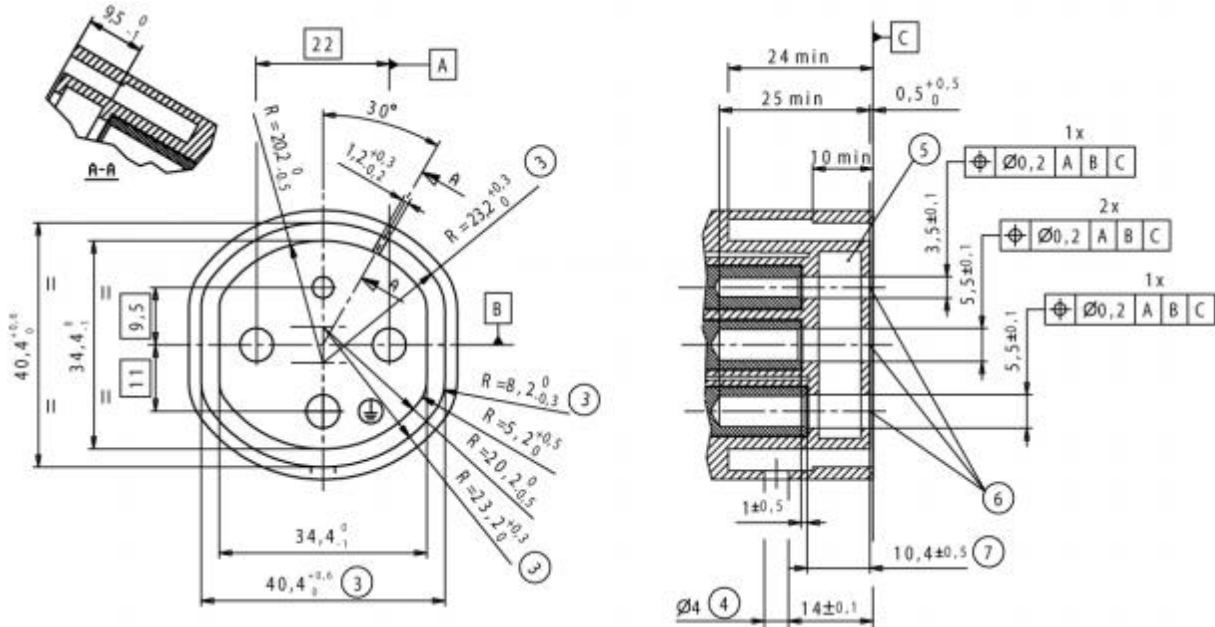


Front view of pins of plug

IEC
Dimensions in millimetres

STANDARD SHEET 2- IIIa
Sheet 2 (continuation of Sheet 1)

16 A, 250 V SINGLE- PHASE SOCKET-OUTLET WITH 1 PILOT CONTACT

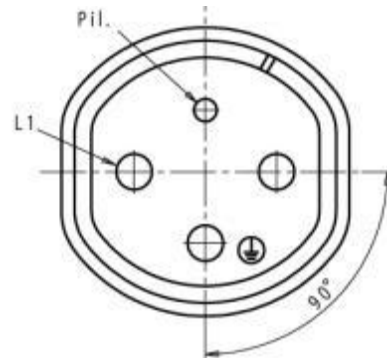
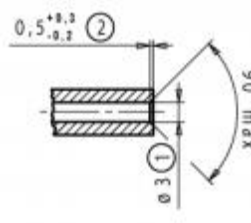
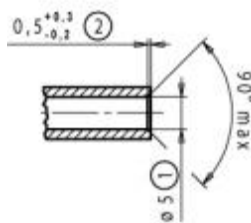


IEC

Holes or recesses in the front face, if any, other than those for contact tubes, shall not have a depth of more than 10 mm .

End of contact tubes

Arrangement of contact tubes



Earth/Phase/Neutral contacts

Pilot

Front view of contact tubes of socket-outlet

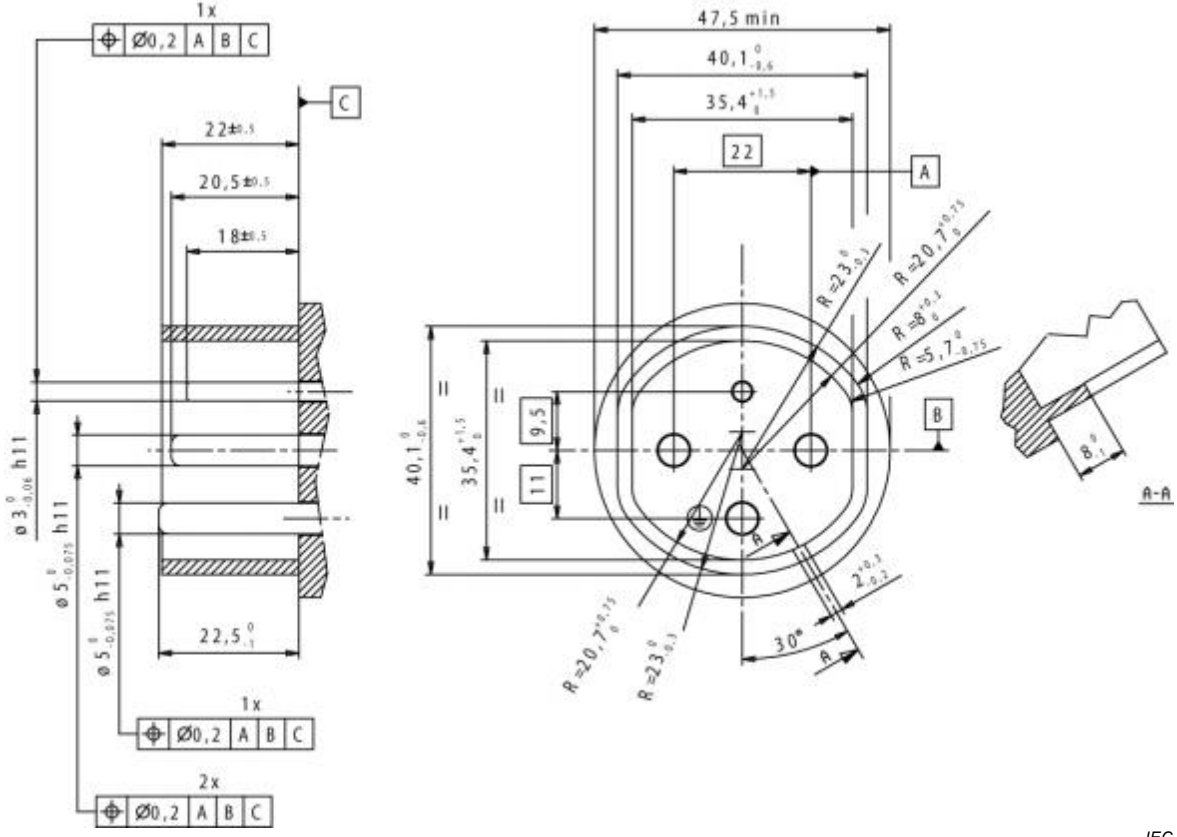
IEC

Dimensions in millimetres

- (1) The dimensions refer to the pins; the contact tubes need not be cylindrical .
- (2) The beveling of the contact tubes may be well rounded off towards the internal cylindrical surface within a distance of 1,5 times the indicated values .
- (3) The indicated dimension shall be within the prescribed limits of at least 10 mm . Beyond this, they may be larger but not smaller .
- (4) This opening may be a hole with 4 mm diameter minimum or a slot 4 mm minimum width
- (5) Space for shutters . If any, they are compulsory for phase and neutral contact tubes .
- (6) Pin entry holes shall be rounded off or beveled .
- (7) This dimension is measured from the extremity of the contact tube .

STANDARD SHEET 2- IIIa
Sheet 3 (continuation of Sheet 2)

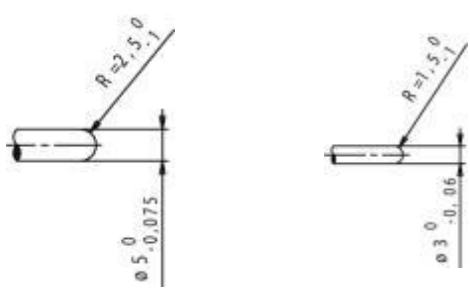
16 A, 250 V SINGLE- PHASE VEHICLE INLET WITH 1 PILOT CONTACT



IEC

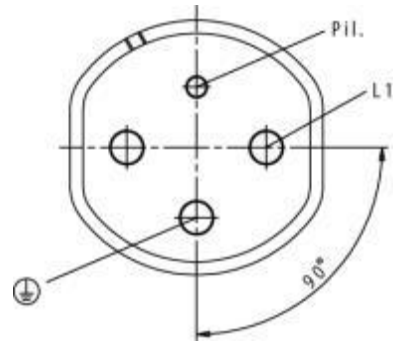
End of pins

Arrangement of pins



Earth/ Phase/ Neutral contacts

Auxiliary contacts



Front view of pins of vehicle inlet

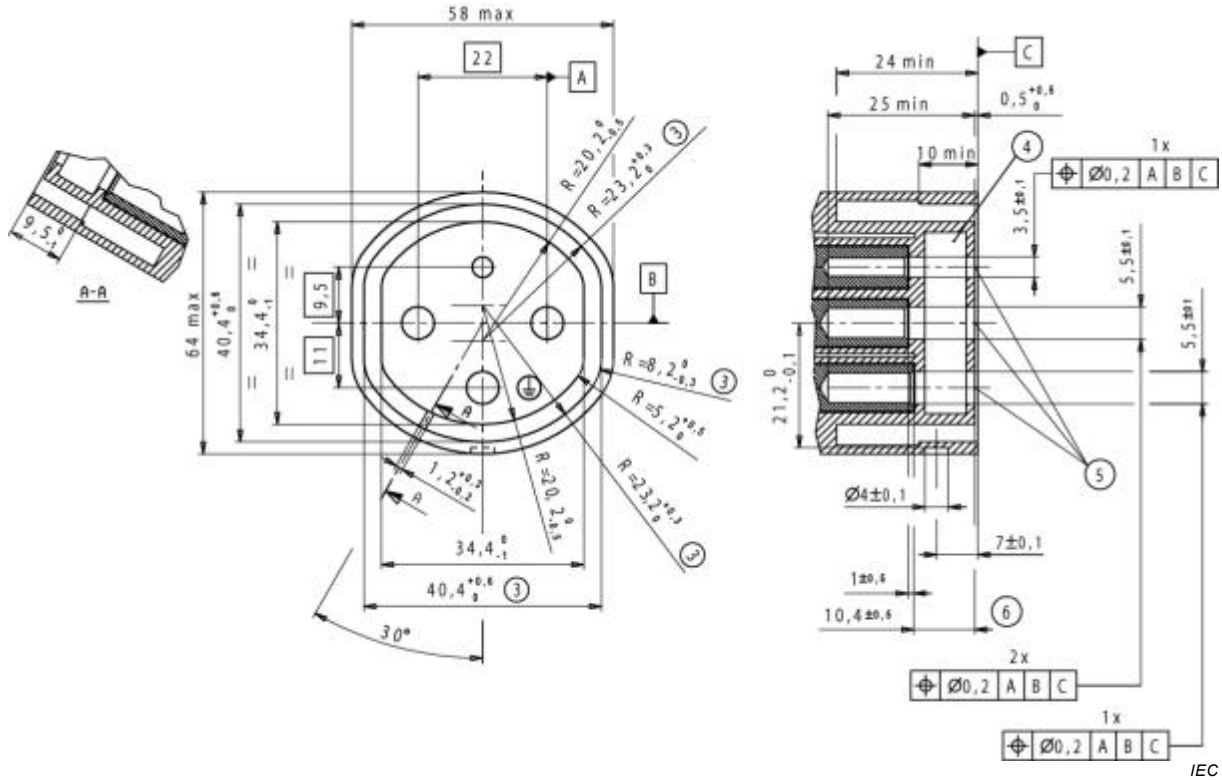
IEC

Dimensions in millimetres

STANDARD SHEET 2- IIIa

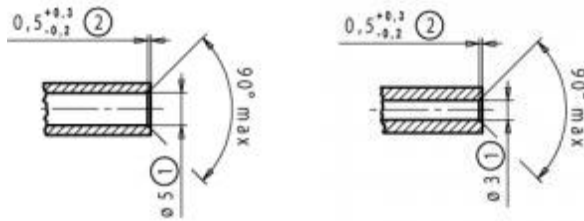
Sheet 4 (continuation of Sheet 3)

16 A, 250 V SINGLE- PHASE VEHICLE CONNECTOR WITH 1 PILOT CONTACT



Holes or recesses in the front face, if any, other than those for contact tubes, shall not have a depth of more than 10 mm .

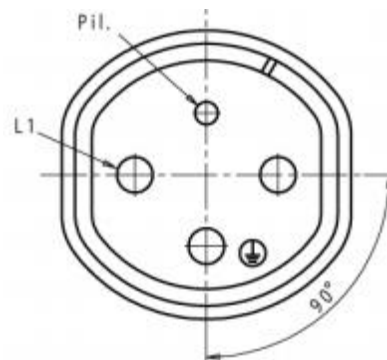
End of contact tubes



Earth/ Phase/ Neutral contacts

Pilot contact

Arrangement of contact tubes



Front view of contact tubes of vehicle connector

IEC

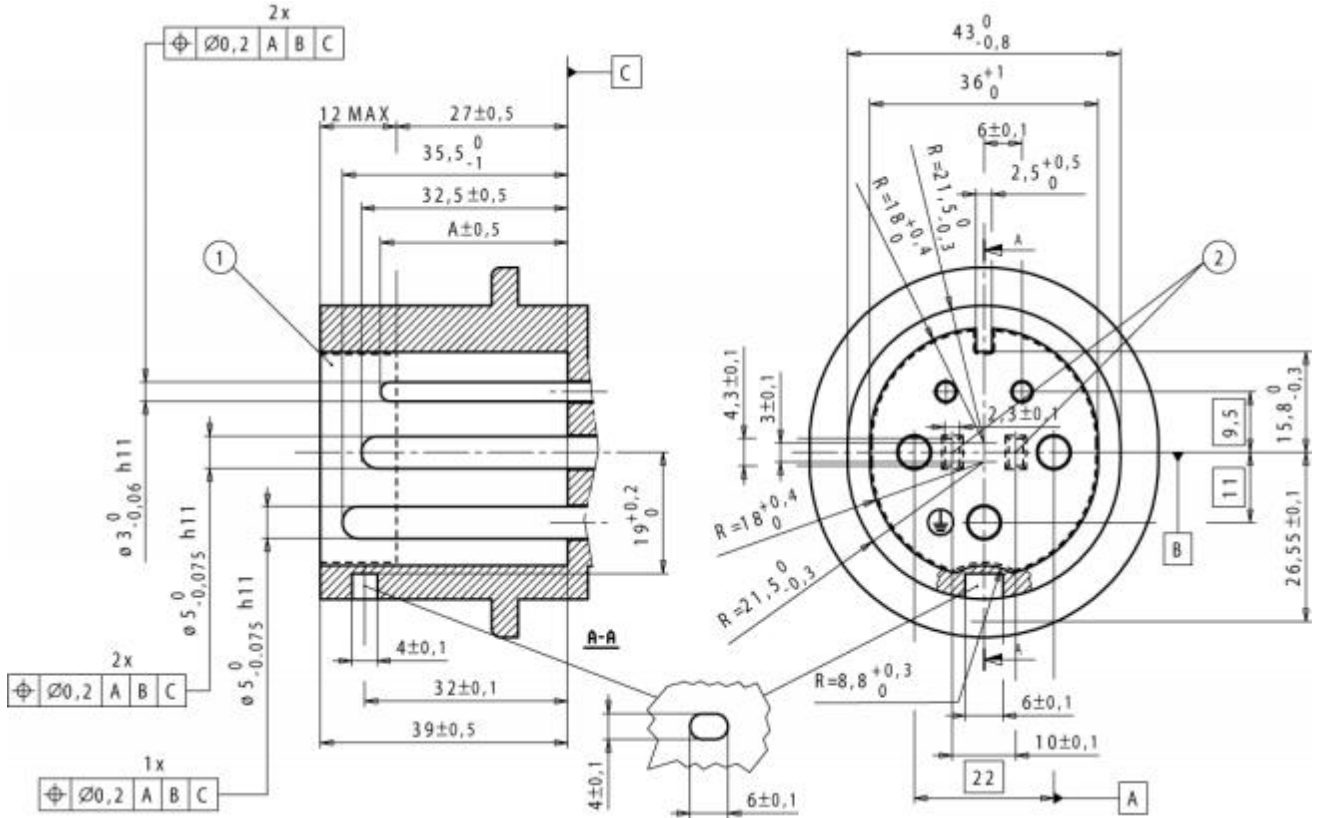
Dimensions in millimetres

- (1) The dimensions refer to the pins; the contact tubes need not be cylindrical .
- (2) The beveling of the contact tubes may be well rounded off towards the internal cylindrical surface within a distance of 1,5 times the indicated values .
- (3) The indicated dimension shall be within the prescribed limits of at least 10 mm . Beyond this, they may be larger but not smaller .
- (4) This opening may be a hole with 4 mm diameter minimum or a slot 4 mm minimum width .
- (5) Space for shutters . If any, they are compulsory for phase and neutral contact tubes .
- (6) Pin entry holes shall be rounded off or beveled .

STANDARD SHEET 2- IIIb

Sheet 1

32 A, 250 V SINGLE- PHASE PLUG WITH 2 PILOT CONTACTS

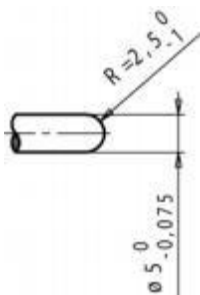


IEC

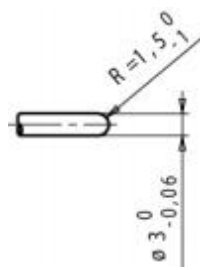
- (1) Space for shutters . They are compulsory for phase and neutral contact pins .
- (2) Shutter pin entry holes shall be rounded off or beveled .

Size of auxiliary contacts	contacts
CP	29,5
PP / CS	34,0

End of pins

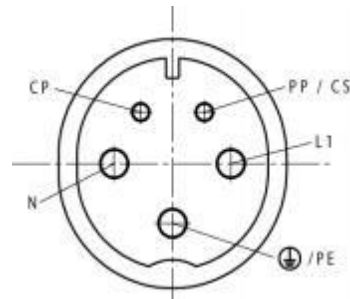


Earth/ Phase/ Neutral contacts



Auxiliary contacts

Arrangement of pins



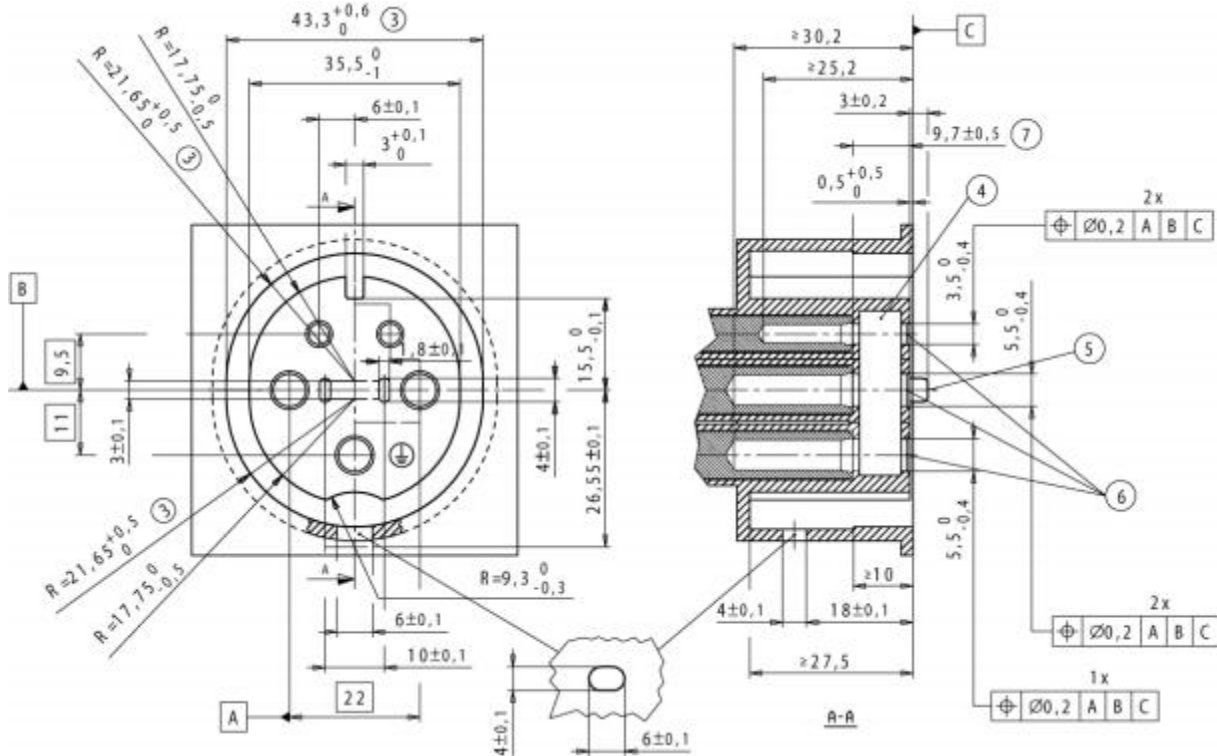
Front view of pins of plug

IEC

Dimensions in millimetres

STANDARD SHEET 2- IIIb
Sheet 2 (continuation of Sheet 1)

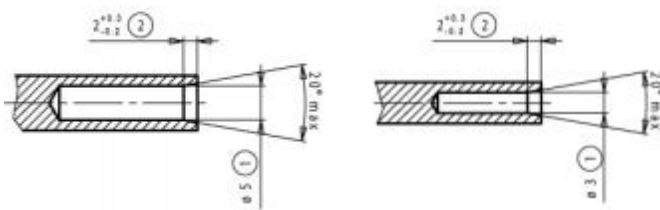
32 A, 250 V SINGLE- PHASE SOCKET-OUTLET WITH 2 PILOT CONTACTS



IEC

Holes or recesses in the front face, if any, other than those for contact tubes, shall not have a depth of more than 10 mm .

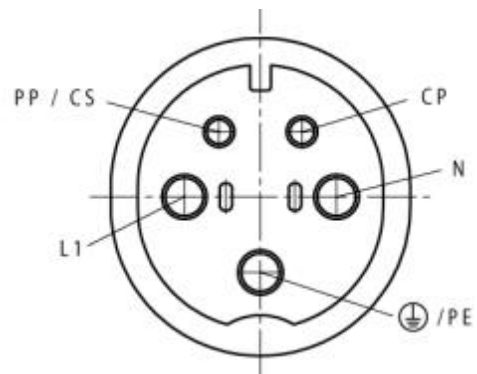
End of contact tubes



Earth/ Phase/ Neutral contacts

Auxiliary contacts

Arrangement of contact tubes



Front view of contact tubes of socket-outlet

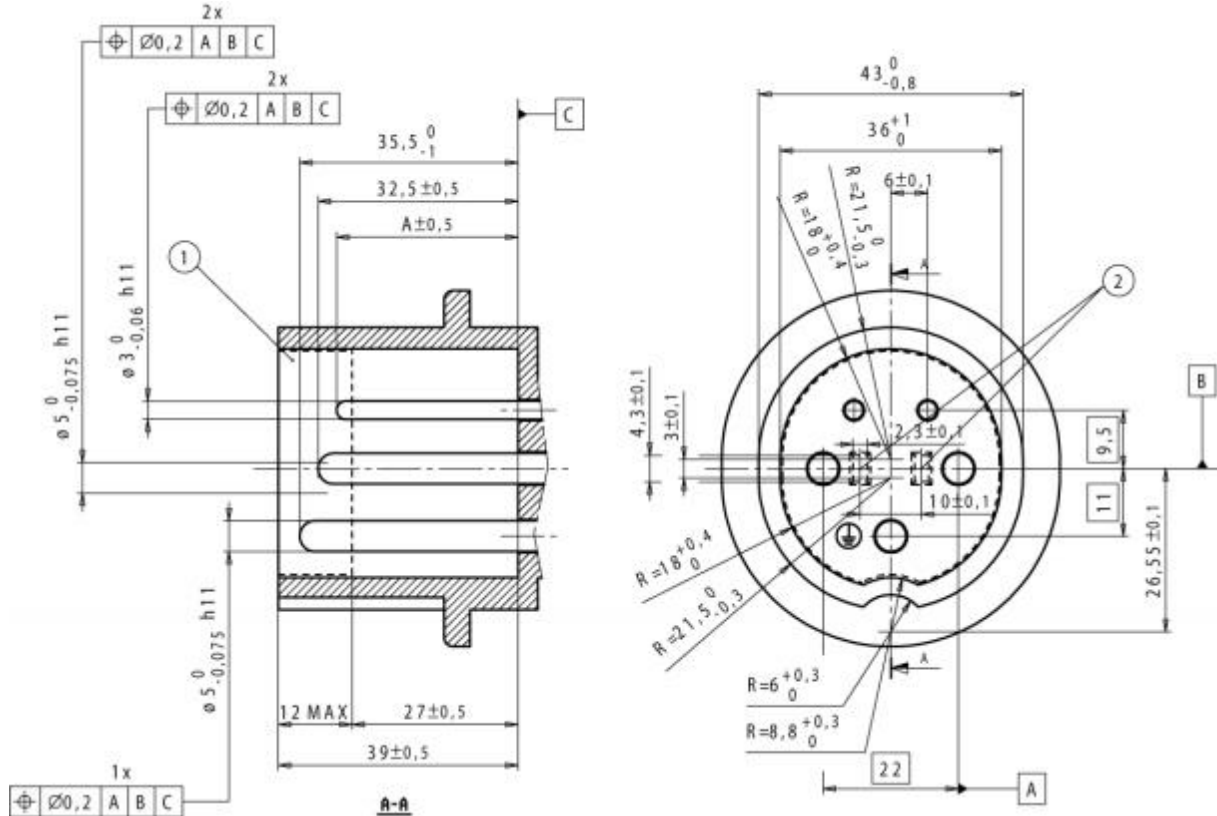
IEC

Dimensions in millimetres

- (1) The dimensions refer to the pins; the contact tubes need not be cylindrical .
- (2) The beveling of the contact tubes may be well rounded off towards the internal cylindrical surface within a distance of 1,5 times the indicated values .
- (3) The indicated dimension shall be within the prescribed limits of at least 10 mm . Beyond this, they may be larger but not smaller .
- (4) This opening may be a hole with 4 mm diameter minimum or a slot 4 mm minimum width .
- (5) Space for shutters . If any, they are compulsory for phase and neutral contact tubes .
- (6) Pin entry holes shall be rounded off or beveled .
- (7) This dimension is measured from the extremity of the contact tube .

STANDARD SHEET 2- IIIb
Sheet 3 (continuation of Sheet 2)

32 A, 250 V SINGLE- PHASE VEHICLE INLET WITH 2 PILOT CONTACTS

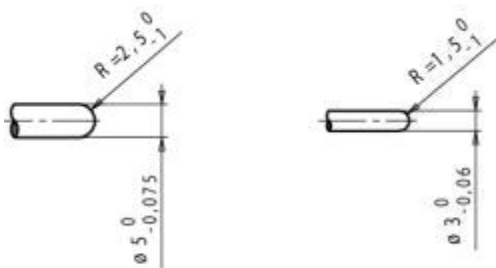


IEC

- (1) Space for shutters . They are compulsory for phase and neutral contact pins
- (2) Shutter pin entry holes shall be rounded off or beveled .

Size of auxiliary contacts	
A	
CP	29,5
PP / CS	34,0

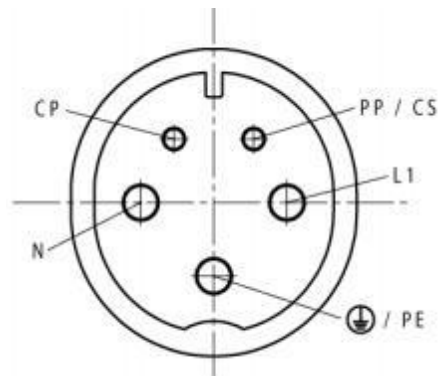
End of pins



Earth/ Phase/ Neutral contacts

Auxiliary contacts

Arrangement of pins



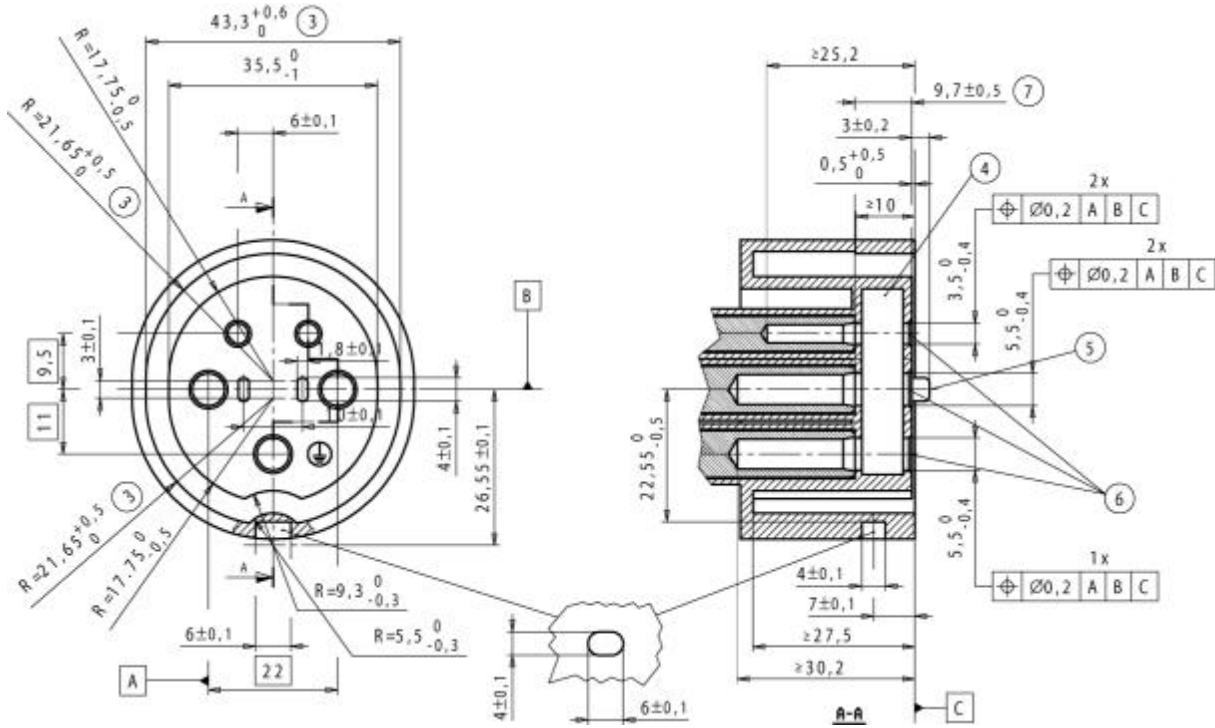
Front view of pins of vehicle inlet

IEC

Dimensions in millimetres

STANDARD SHEET 2- IIIb
Sheet 4 (continuation of Sheet 3)

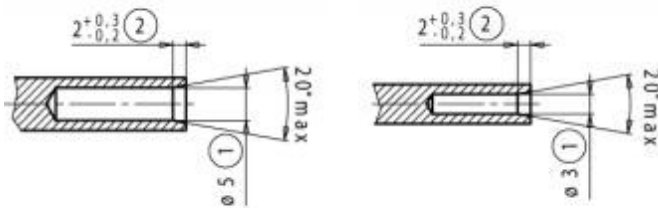
32 A, 250 V SINGLE- PHASE VEHICLE CONNECTOR WITH 2 PILOT CONTACTS



IEC

Holes or recesses in the front face, if any, other than those for contact tubes, shall not have a depth of more than 10 mm .

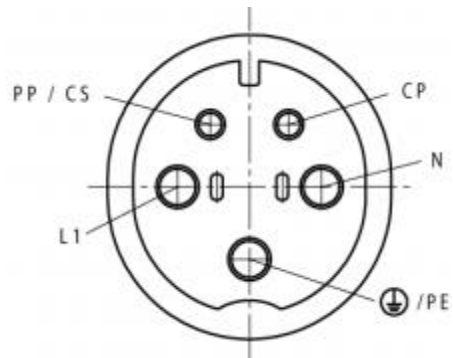
End of contact tubes



Earth/ Phase/ Neutral contacts

Auxiliary contacts

Arrangement of contact tubes



Front view of contact tubes of vehicle connector

IEC

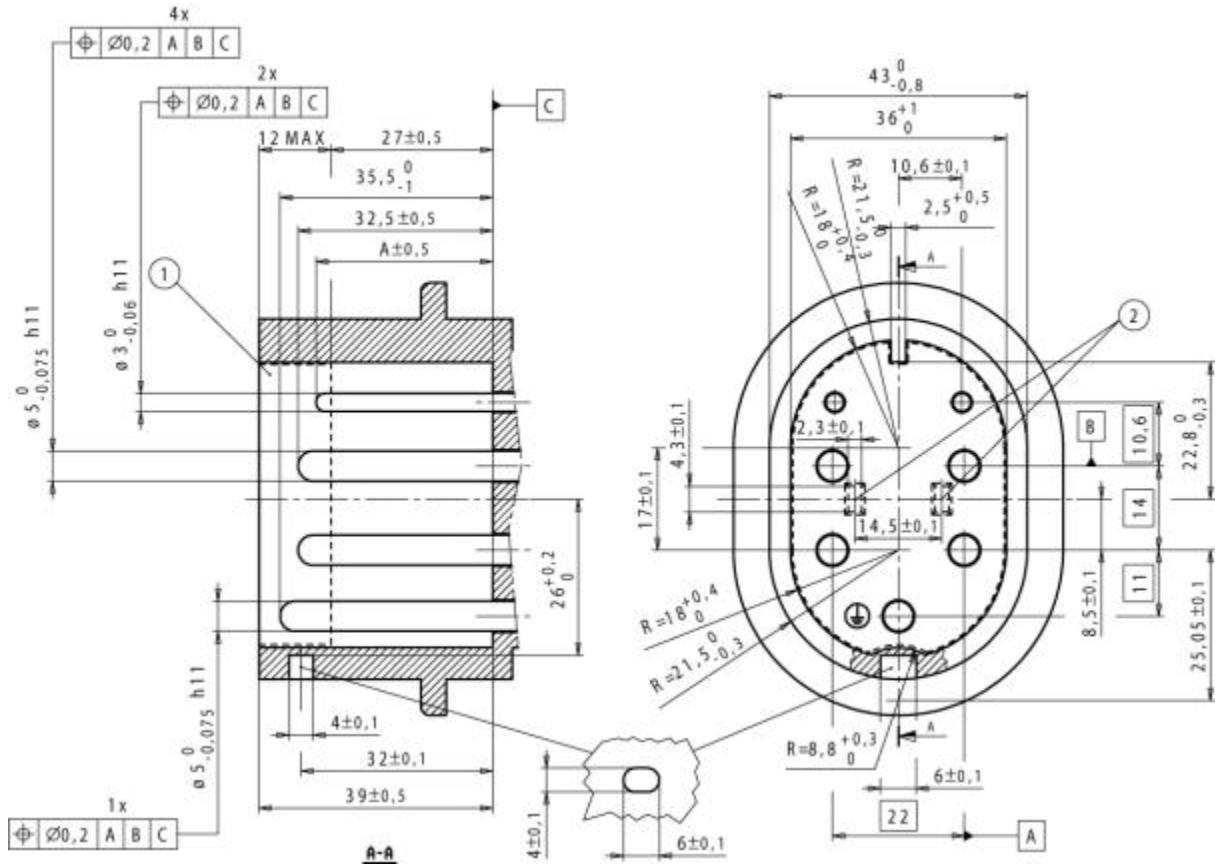
Dimensions in millimetres

- (1) The dimensions refer to the pins; the contact tubes need not be cylindrical .
- (2) The beveling of the contact tubes may be well rounded off towards the internal cylindrical surface within a distance of 1,5 times the indicated values .
- (3) The indicated dimension shall be within the prescribed limits of at least 10 mm . Beyond this, they may be larger but not smaller .
- (4) This opening may be a hole with 4 mm diameter minimum or a slot 4 mm minimum width .
- (5) Space for shutters . If any, they are compulsory for phase and neutral contact tubes .
- (6) Pin entry holes shall be rounded off or beveled .
- (7) This dimension is measured from the extremity of the contact tube .

STANDARD SHEET 2- IIIc

Sheet 1

63 A, 480 V THREE- PHASE PLUG WITH 2 PILOT CONTACTS

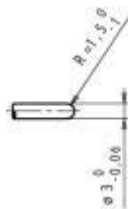
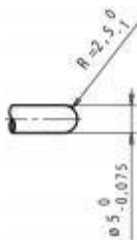


IEC

- (1) Space for shutters . They are compulsory for phase and neutral contact pins .
- (2) Shutter pin entry holes shall be rounded off or beveled .

Size of auxiliary contacts	
A	
CP	29,5
PP / CS	34,0

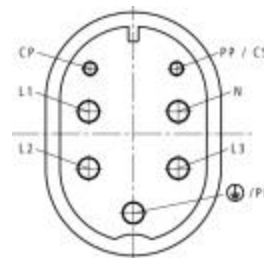
End of pins



Earth/ Phase/ Neutral contacts

Auxiliary contacts

Arrangement of pins



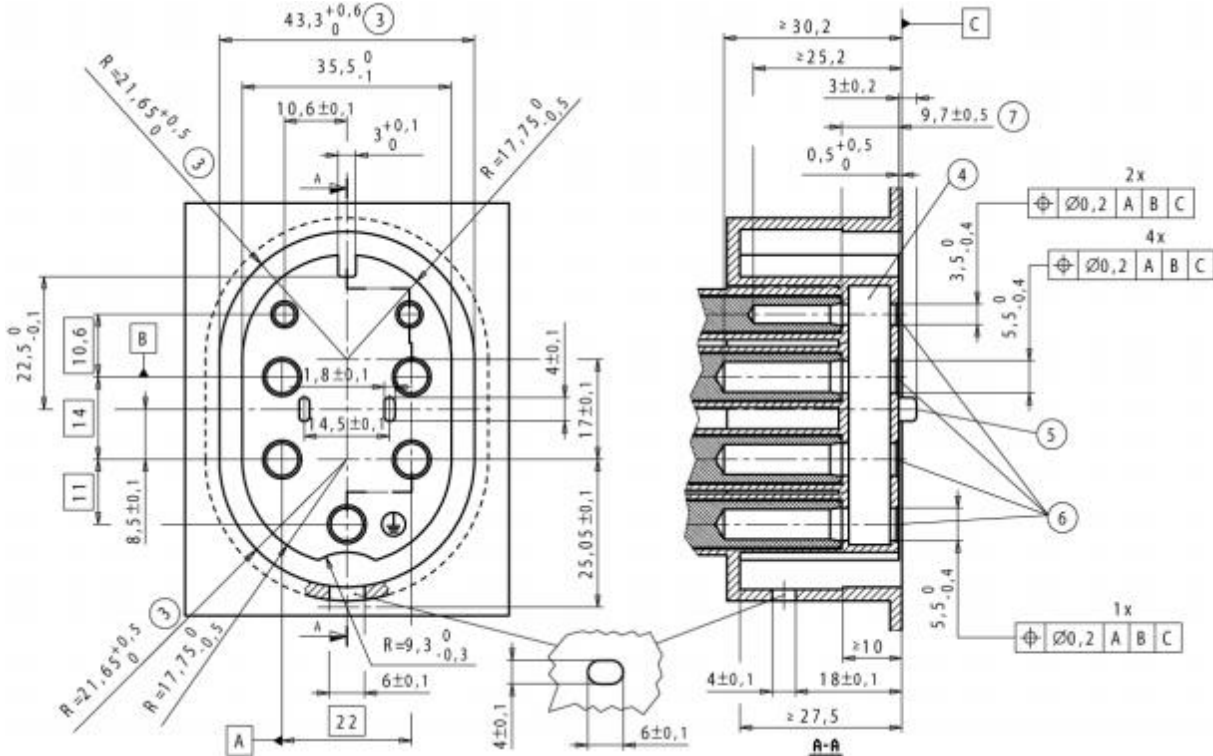
Front view of pins of plug

IEC

Dimensions in millimetres

STANDARD SHEET 2- IIIc
Sheet 2 (continuation of Sheet 1)

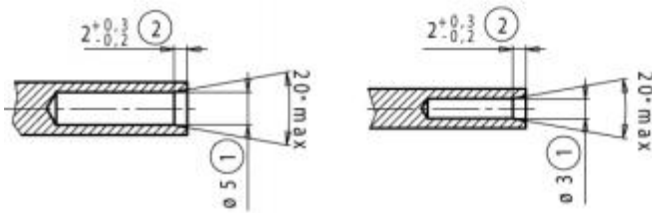
63 A, 480 V THREE- PHASE SOCKET-OUTLET WITH 2 PILOT CONTACTS



IEC

Holes or recesses in the front face, if any, other than those for contact tubes, shall not have a depth of more than 10 mm .

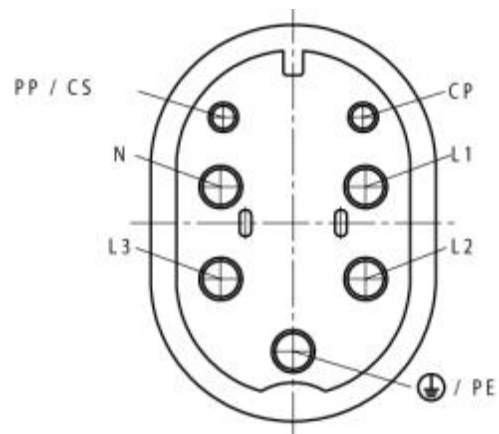
End of contact tubes



Earth/ Phase/ Neutral contacts

Auxiliary contacts

Arrangement of contact tubes



Front view of contact tubes of socket-outlet

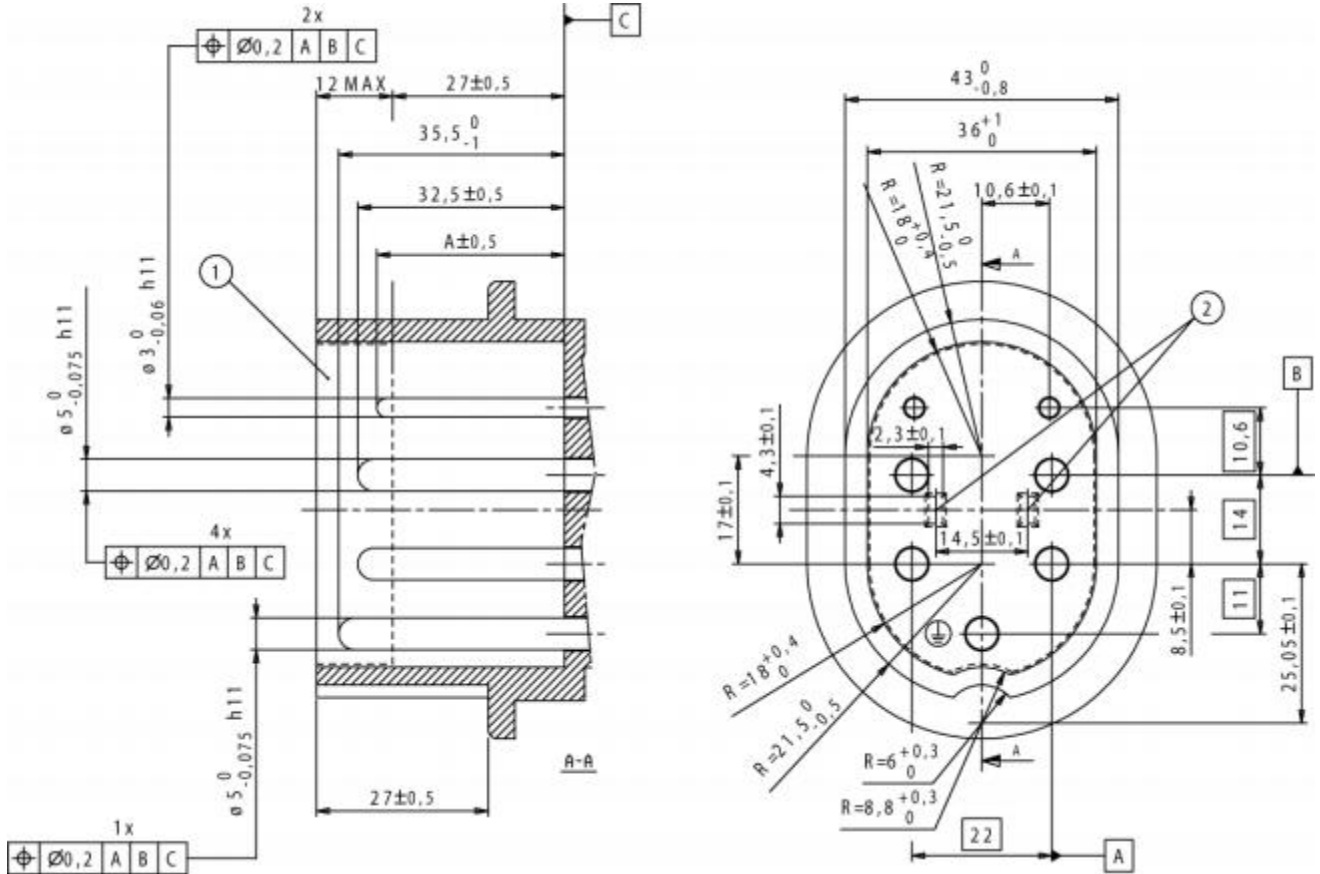
IEC

Dimensions in millimetres

- (1) The dimensions refer to the pins; the contact tubes need not be cylindrical .
- (2) The beveling of the contact tubes may be well rounded off towards the internal cylindrical surface within a distance of 1,5 times the indicated values .
- (3) The indicated dimension shall be within the prescribed limits of at least 10 mm . Beyond this, they may be larger but not smaller .
- (4) This opening may be a hole with 4 mm diameter minimum or a slot 4 mm minimum width .
- (5) Space for shutters . If any, they are compulsory for phase and neutral contact tubes .
- (6) Pin entry holes shall be rounded off or beveled .
- (7) This dimension is measured from the extremity of the contact tube .

STANDARD SHEET 2- IIIc
Sheet 3 (continuation of Sheet 2)

63 A, 480 V THREE- PHASE VEHICLE INLET WITH 2 PILOT CONTACTS

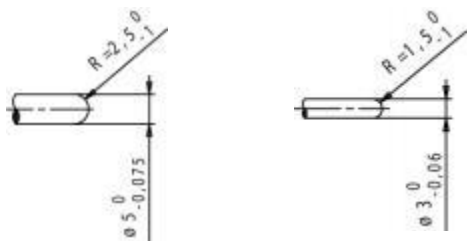


IEC

- (1) Space for shutters . They are compulsory for phase and neutral contact pins .
- (2) Shutter pin entry holes shall be rounded off or beveled .

Size of auxiliary contacts	A
CP	29,5
PP / CS	34,0

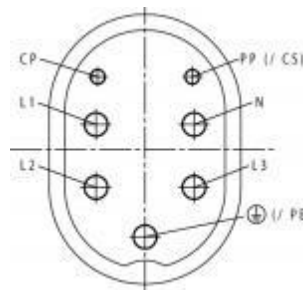
End of pins



Earth/ Phase/ Neutral contacts

Auxiliary contacts

Arrangement of pins



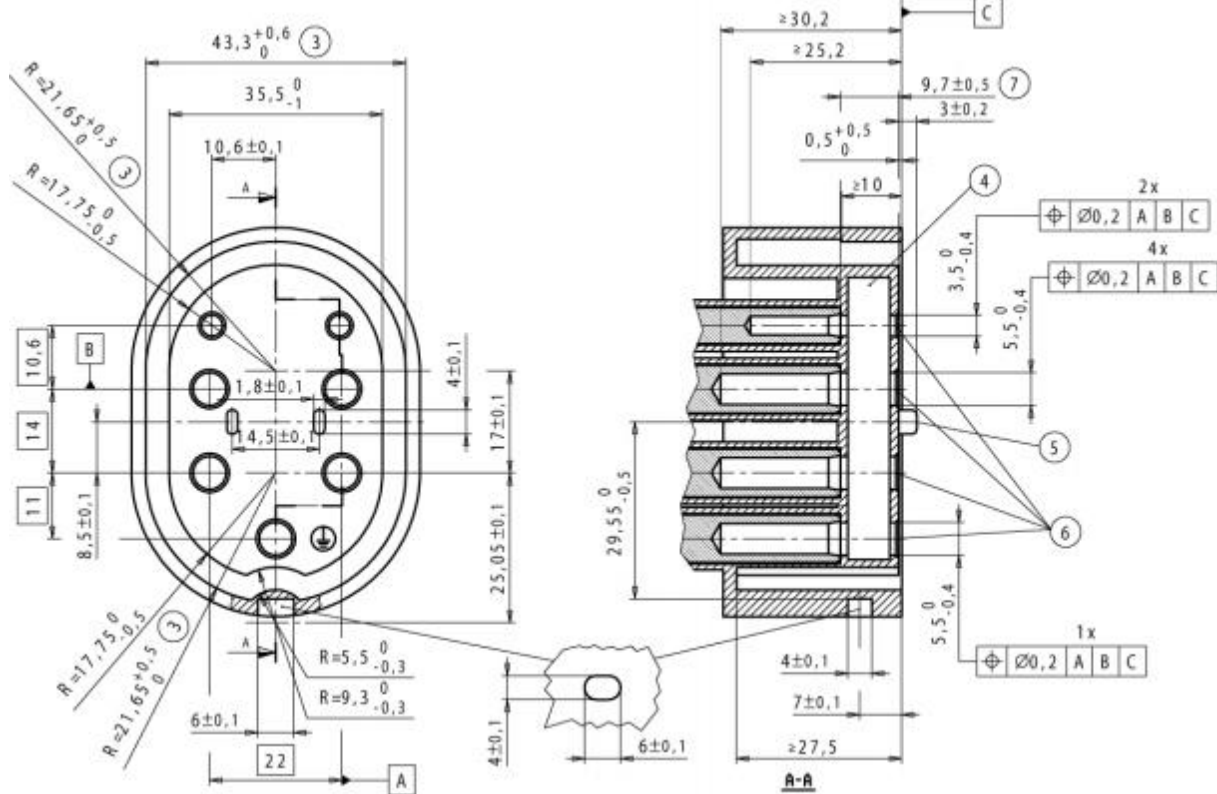
Front view of pins of vehicle inlet

IEC

Dimensions in millimetres

STANDARD SHEET 2- IIIc
Sheet 6 (continuation of Sheet 5)

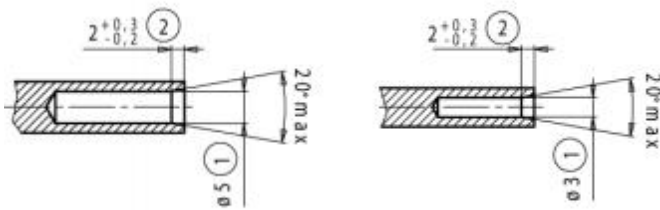
63 A, 480 V THREE- PHASE VEHICLE CONNECTOR WITH 2 PILOT CONTACTS



IEC

Holes or recesses in the front face, if any, other than those for contact tubes, shall not have a depth of more than 10 mm.

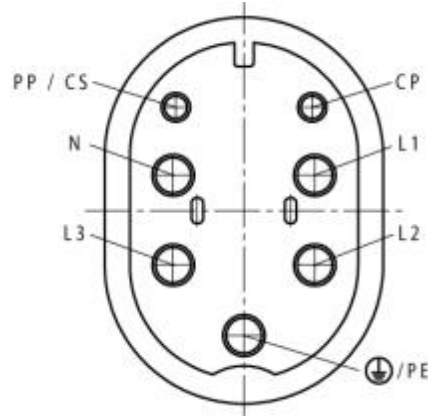
End of contact tubes



Earth/ Phase/ Neutral contacts

Auxiliary contacts

Arrangement of contact tubes



Front view of contact tubes of vehicle connector

IEC
 Dimensions in millimetres

- (1) The dimensions refer to the pins; the contact tubes need not be cylindrical.
- (2) The beveling of the contact tubes may be well rounded off towards the internal cylindrical surface within a distance of 1,5 times the indicated values.
- (3) The indicated dimension shall be within the prescribed limits of at least 10 mm. Beyond this, they may be larger but not smaller.
- (4) This opening may be a hole with 4 mm diameter minimum or a slot 4 mm minimum width.
- (5) Space for shutters. If any, they are compulsory for phase and neutral contact tubes.
- (6) Pin entry holes shall be rounded off or beveled.
- (7) This dimension is measured from the extremity of the contact tube.

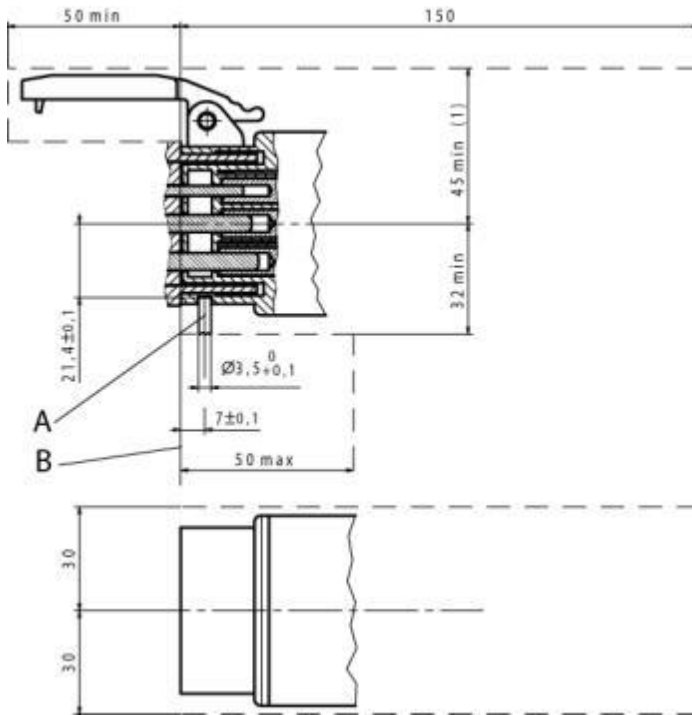
STANDARD SHEET 2- IIIId

Sheet 1

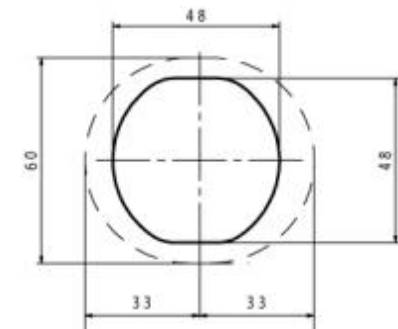
**250 V, 16 A SINGLE- PHASE VEHICLE COUPLER
(VEHICLE CONNECTOR + VEHICLE INLET)**

**LATCHING MEANS AND PACKAGING ROOM
(STANDARD SHEET 2-IIIa)**

SIDE VIEW



TOP VIEW



FRONT VIEW

(1) Minimum space required for the movement of the hinge lid .
Vehicle connector body shape shall be within the dashed line .

IEC

Dimensions in millimetres

- A: Latching means
- B: Vehicle surface

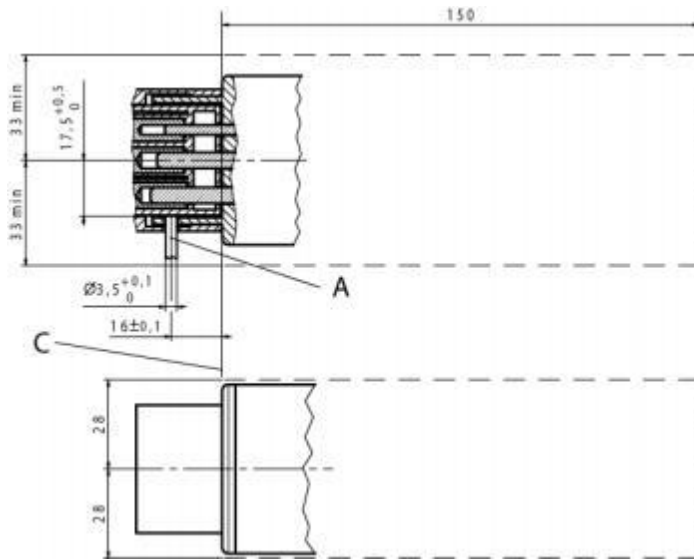
STANDARD SHEET 2- IIIId

Sheet 2 (continuation of Sheet 1)

16 A, 250 V SINGLE- PHASE PLUG AND SOCKET-OUTLET

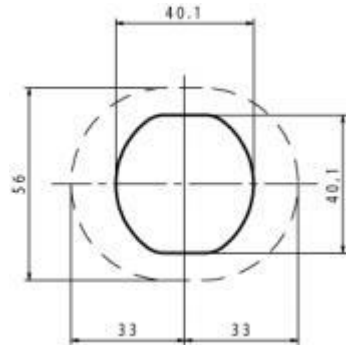
**LATCHING MEANS AND PACKAGING ROOM
(STANDARD SHEET 2-IIIa)**

SIDE VIEW



TOP VIEW

Plug body shape shall be within the dashed line .



FRONT VIEW

IEC

Dimensions in millimetres

- A: Latching means
- C: Socket-outlet surface

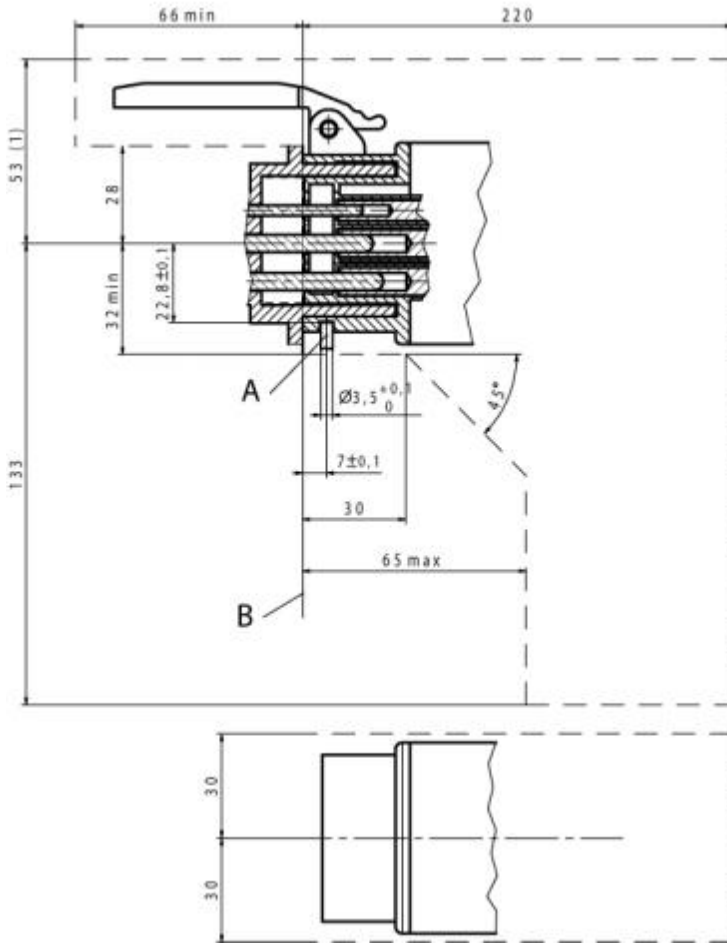
STANDARD SHEET 2- IIIId

32 A, 250 V SINGLE- PHASE VEHICLE COUPLER
(VEHICLE CONNECTOR + VEHICLE INLET)

LATCHING MEANS AND PACKAGING ROOM
(STANDARD SHEET 2-IIIb)

Sheet 3 (continuation of Sheet 2)

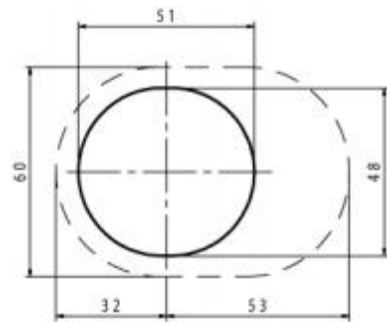
SIDE VIEW



TOP VIEW

(1) Minimum space required for the movement of the hinge lid

Vehicle connector body shape shall be within the dashed line .



FRONT VIEW

IEC

Dimensions in millimetres

- A: Latching means
- B: Vehicle surface

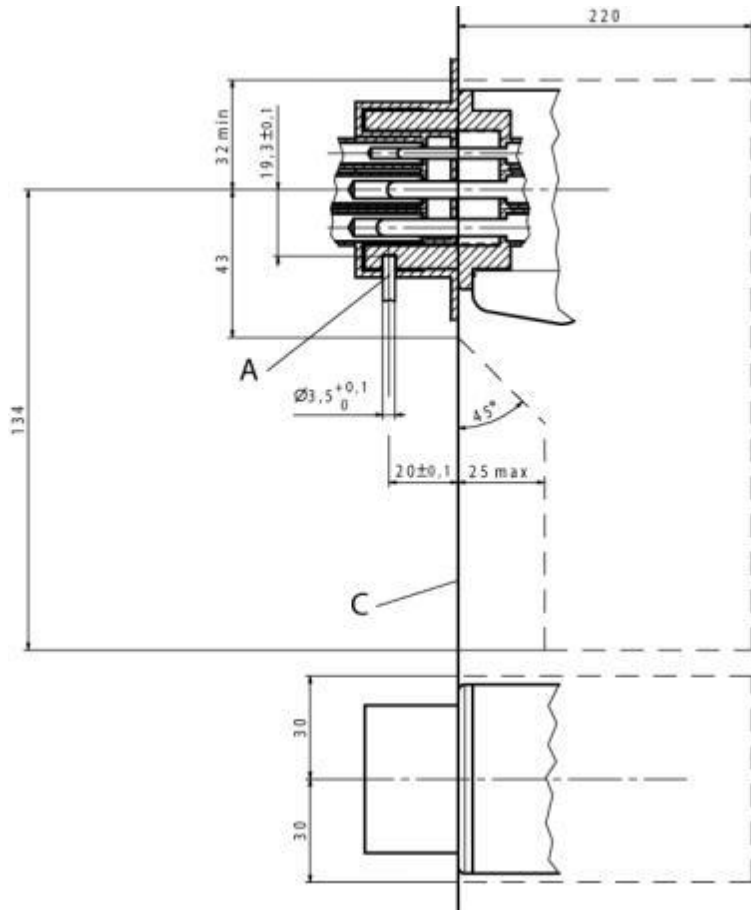
STANDARD SHEET 2- IIIId

32 A, 250 V SINGLE- PHASE PLUG AND SOCKET-OUTLET

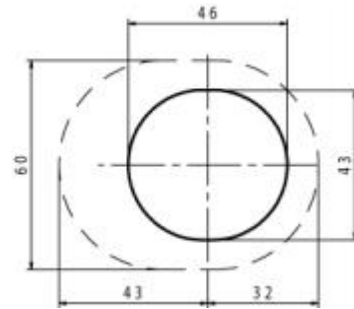
**LATCHING MEANS AND PACKAGING ROOM
(STANDARD SHEET 2-IIIb)**

Sheet 4 (continuation of Sheet 3)

SIDE VIEW



Plug body shape shall be within the dashed line .



TOP VIEW

FRONT VIEW

IEC

Dimensions in millimetres

- A: Latching means
- C: Socket- outlet surface

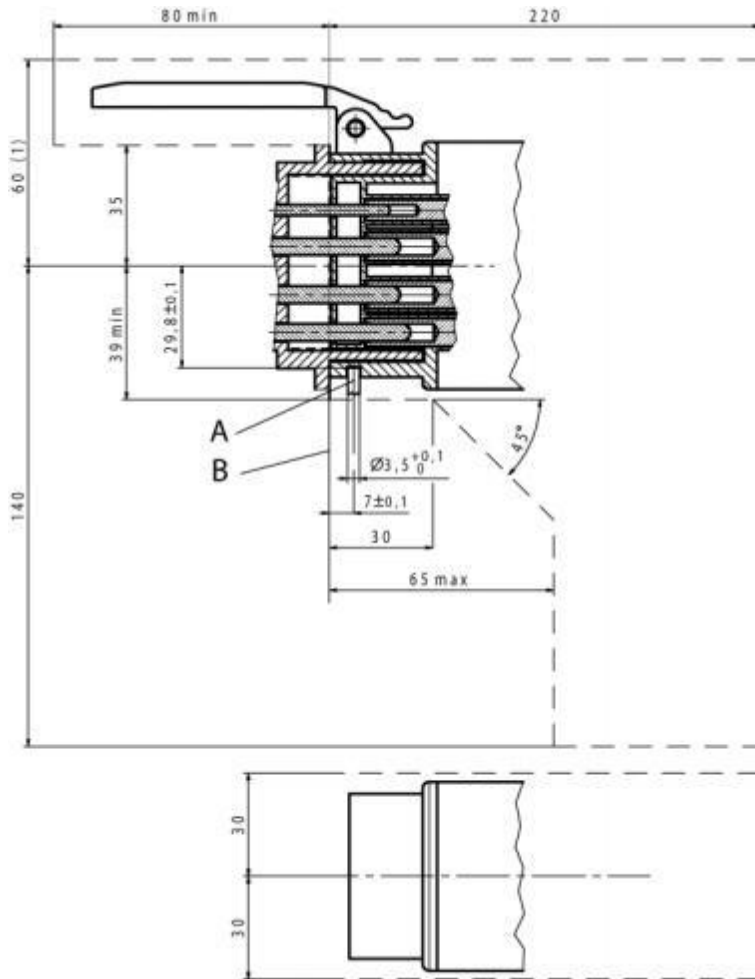
STANDARD SHEET 2- IIIId

63 A, 480 V THREE- PHASE VEHICLE COUPLER
(VEHICLE CONNECTOR + VEHICLE INLET)

LATCHING MEANS AND PACKAGING ROOM
(STANDARD SHEET 2-IIIc)

Sheet 5 (continuation of Sheet 4)

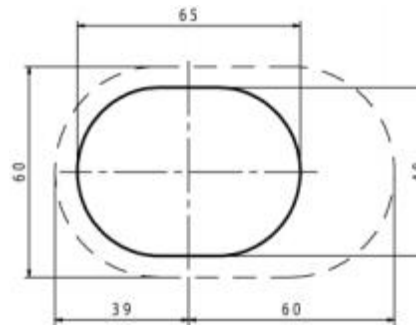
SIDE VIEW



TOP VIEW

(1) Minimum space required for the movement of the hinge lid

Vehicle connector body shape shall be within the dashed line .



FRONT VIEW

IEC

Dimensions in millimetres

- A: Latching means
- B: Vehicle surface

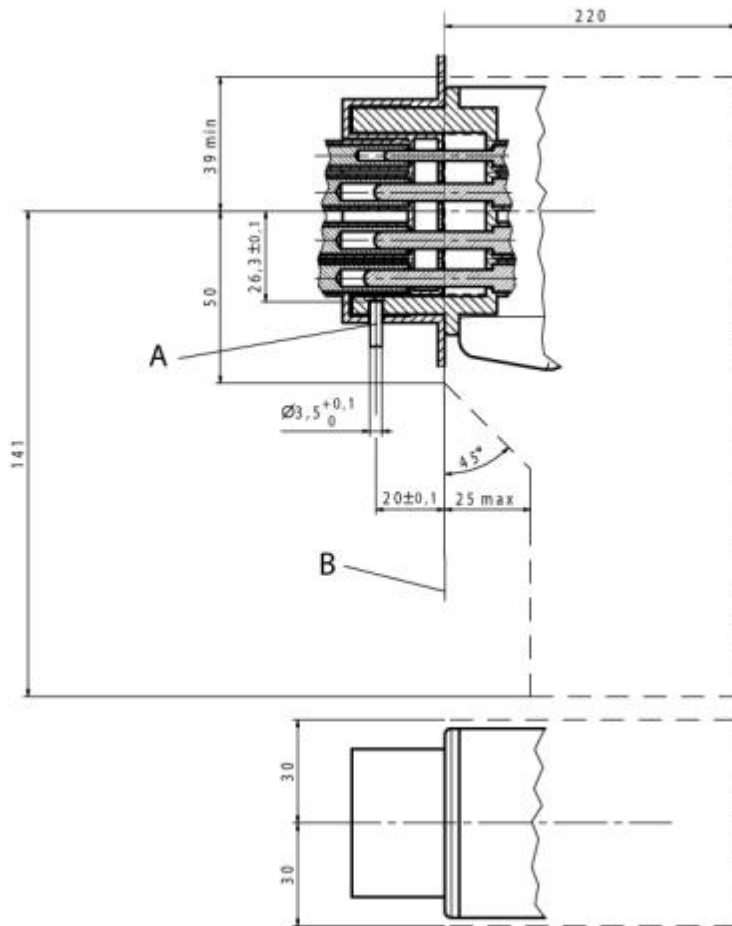
STANDARD SHEET 2- IIIId

63 A, 480 V THREE- PHASE PLUG AND SOCKET-OUTLET

LATCHING MEANS AND PACKAGING ROOM
(STANDARD SHEET 2-IIIc)

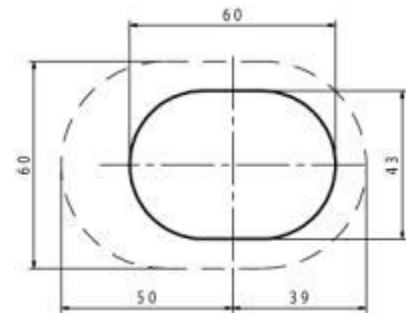
Sheet 6 (continuation of Sheet 5)

SIDE VIEW



TOP VIEW

Plug body shape shall be within the dashed line .



FRONT VIEW

IEC

Dimensions in millimetres

- A: Latching means
- B: Socket-outlet surface

SOMMAIRE

AVANT- PROPOS	64
INTRODUCTION	66
1 Domaine d'application	67
2 Références normatives	67
3 Termes et définitions	68
4 Généralités	68
5 Caractéristiques assignées	68
6 Connexion entre l'alimentation électrique et le véhicule électrique	68
7 Classification des appareils	71
8 Marquage	71
9 Dimensions	71
10 Protection contre les chocs électriques	72
11 Section et couleur des conducteurs de terre de protection	72
12 Dispositions pour la mise à la terre	72
13 Bornes	72
14 Dispositifs de verrouillage	73
15 Résistance au vieillissement du caoutchouc et des matériaux thermoplastiques	73
16 Construction générale	73
17 Construction des socles de prise de courant	73
18 Construction des fiches et des prises mobiles de véhicule	73
19 Construction des socles de connecteur de véhicule	73
20 Degrés de protection	73
21 Résistance d'isolement et rigidité diélectrique	73
22 Pouvoir de coupure	73
23 Fonctionnement normal	73
24 Échauffement	73
25 Câbles souples et leur connexion	74
26 Résistance mécanique	74
27 Vis, parties transportant le courant et connexions	74
28 Lignes de fuite, distances dans l'air et distances	74
29 Résistance à la chaleur, au feu et aux courants de cheminement	74
30 Corrosion et résistance à la rouille	74
31 Essai de tenue au courant de court-circuit potentiel	74
32 Compatibilité électromagnétique (CEM)	74
33 Écrasement par roulage de véhicule	74
201 Composants	75
202 Codage par résistances	76
FEUILLES DE NORME	77
CONFIGURATION DE TYPE 1	77
CONFIGURATION DE TYPE 2	89
CONFIGURATION DE TYPE 3	104

IEC 62196-2:2016 © IEC 2016

Tableau 2 0 1 – Pré sentation de l' interface basique pour vé hicule, configuration de type 1, monophasé	70
Tableau 2 0 2 – Pré sentation de l' interface basique pour vé hicule, configuration de types 2 et 3 , monophasé ou triphasé	70
Tableau 203 – Types de configurations et feuilles de norme	72
Tableau 204 – Compatibilité des appareils de configuration de type 2	89

COMMISSION ÉLECTROTECHNIQUE INTERNATIONALE

FICHES, SOCLES DE PRISE DE COURANT, PRISES MOBILES DE VÉHICULE ET SOCLES DE CONNECTEURS DE VÉHICULE – CHARGE CONDUCTIVE DES VÉHICULES ÉLECTRIQUES –

Partie 2 : Exigences dimensionnelles de compatibilité et d'interchangeabilité pour les appareils à broches et alvéoles pour courant alternatif

AVANT- PROPOS

- 1) La Commission Electrotechnique Internationale (IEC) est une organisation mondiale de normalisation composée de l'ensemble des comités électrotechniques nationaux (Comités nationaux de l'IEC). L'IEC a pour objet de favoriser la coopération internationale pour toutes les questions de normalisation dans les domaines de l'électricité et de l'électronique. A cet effet, l'IEC – entre autres activités – publie des Normes internationales, des Spécifications techniques, des Rapports techniques, des Spécifications accessibles au public (PAS) et des Guides (ci-après dénommés "Publication(s) de l'IEC"). Leur élaboration est confiée à des comités d'études, aux travaux desquels tout Comité national intéressé par le sujet traité peut participer. Les organisations internationales, gouvernementales et non gouvernementales, en liaison avec l'IEC, participent également aux travaux. L'IEC collabore étroitement avec l'Organisation Internationale de Normalisation (ISO), selon des conditions fixées par accord entre les deux organisations.
- 2) Les décisions ou accords officiels de l'IEC concernant les questions techniques représentent, dans la mesure du possible, un accord international sur les sujets étudiés, étant donné que les Comités nationaux de l'IEC intéressés sont représentés dans chaque comité d'études.
- 3) Les Publications de l'IEC se présentent sous la forme de recommandations internationales et sont agréées comme telles par les Comités nationaux de l'IEC. Tous les efforts raisonnables sont entrepris afin que l'IEC s'assure de l'exactitude du contenu technique de ses publications; l'IEC ne peut pas être tenue responsable de l'éventuelle mauvaise utilisation ou interprétation qui en est faite par un quelconque utilisateur final.
- 4) Dans le but d'encourager l'uniformité internationale, les Comités nationaux de l'IEC s'engagent, dans toute la mesure possible, à appliquer de façon transparente les Publications de l'IEC dans leurs publications nationales et régionales. Toutes divergences entre toutes Publications de l'IEC et toutes publications nationales ou régionales correspondantes doivent être indiquées en termes clairs dans ces dernières.
- 5) L'IEC elle-même ne fournit aucune attestation de conformité. Des organismes de certification indépendants fournissent des services d'évaluation de conformité et, dans certains secteurs, accèdent aux marques de conformité de l'IEC. L'IEC n'est responsable d'aucun des services effectués par les organismes de certification indépendants.
- 6) Tous les utilisateurs doivent s'assurer qu'ils sont en possession de la dernière édition de cette publication.
- 7) Aucune responsabilité ne doit être imputée à l'IEC, à ses administrateurs, employés, auxiliaires ou mandataires, y compris ses experts particuliers et les membres de ses comités d'études et des Comités nationaux de l'IEC, pour tout préjudice causé en cas de dommages corporels et matériels, ou de tout autre dommage de quelque nature que ce soit, directe ou indirecte, ou pour supporter les coûts (y compris les frais de justice) et les dépenses découlant de la publication ou de l'utilisation de cette Publication de l'IEC ou de toute autre Publication de l'IEC, ou au crédit qui lui est accordé.
- 8) L'attention est attirée sur les références normatives citées dans cette publication. L'utilisation de publications référencées est obligatoire pour une application correcte de la présente publication.
- 9) L'attention est attirée sur le fait que certains des éléments de la présente Publication de l'IEC peuvent faire l'objet de droits de brevet. L'IEC ne saurait être tenue pour responsable de ne pas avoir identifié de tels droits de brevets et de ne pas avoir signalé leur existence.

La Norme Internationale IEC 62196-2 a été établie par le sous-comité 23H: Prises de courant pour usages industriels et analogues et pour véhicules électriques, du comité d'études 23 de l'IEC: Petit appareillage.

Cette deuxième édition annule et remplace la première édition parue en 2011 et constitue une révision technique.

Cette édition inclut les modifications techniques majeures suivantes par rapport à l'édition précédente:

IEC 62196-2:2016 © IEC 2016

- a) Mise à jour des feuilles de norme des configurations type 2 et type 3 ;
- b) Ajout d'obturateurs (en option) pour les appareils de type 2 .

Le texte de cette norme est issu des documents suivants:

CDV	Rapport de vote
23H/324/CDV	23H/342/RVC

Le rapport de vote indiqué dans le tableau ci-dessus donne toute information sur le vote ayant abouti à l'approbation de cette norme .

Cette publication a été rédigée selon les Directives ISO/IEC, Partie 2.

Une liste de toutes les parties de la série IEC 62196, publiées sous le titre général *Fiches, socles de prise de courant, prises mobiles de véhicule et socles de connecteurs de véhicule – Charge conductive des véhicules électriques*, peut être consultée sur le site web de l'IEC .

Les futures normes de cette série porteront dorénavant le nouveau titre général cité ci-dessus . Le titre des normes existant déjà dans cette série sera mis à jour lors de la prochaine édition .

La présente partie de l'IEC 62196 doit être utilisée conjointement avec l'IEC 62196- 1 :2014 . Les articles des exigences particulières dans la partie 2 complètent ou modifient les articles correspondants de la partie 1. Lorsque le texte indique une « addition » ou un « remplacement » d'exigence, de spécification d'essai ou d'explication de la partie 1, ces modifications sont apportées au texte correspondant de la partie 1, qui devient alors partie de cette norme . Lorsqu'aucune modification n'est nécessaire, les mots « L'Article X de l'IEC 62196- 1:2014 s'applique » sont utilisés .

Dans cette norme, les caractères d'imprimerie suivants sont utilisés:

- exigences proprement dites: caractères romains;
- *modalités d'essais: caractères italiques;*
- notes: petits caractères romains .

Le comité a décidé que le contenu de cette publication ne sera pas modifié avant la date de stabilité indiquée sur le site web de l'IEC sous "<http://webstore.iec.ch>" dans les données relatives à la publication recherchée . A cette date, la publication sera

- reconduite,
- supprimée,
- remplacée par une édition révisée, ou
- amendée .

INTRODUCTION

Répondant à des défis mondiaux de réduction des émissions de CO₂ et à la sécurité énergétique, l'industrie automobile a accéléré le développement et la commercialisation des véhicules électriques et des véhicules électriques hybrides. En plus des véhicules électriques hybrides qui dominent le marché, des véhicules électriques à batterie dont les véhicules électriques hybrides rechargeables sont sur le point d'être commercialisés en masse. Pour soutenir la diffusion de ces véhicules, la présente norme fournit les configurations d'interface normalisées de connecteurs de véhicules et d'appareils à courant alternatif à utiliser dans la charge conductive des véhicules électriques, en tenant compte des situations de charge les plus fréquentes.

La série IEC 62196 est divisée en plusieurs parties:

Partie 1: Règles générales

Partie 2: Exigences dimensionnelles de compatibilité et d'interchangeabilité pour les appareils à broches et alvéoles pour courant alternatif

Partie 3: Exigences dimensionnelles de compatibilité et d'interchangeabilité pour les connecteurs de véhicule à broches et alvéoles pour courant continu et pour courants alternatif et continu.

IEC 62196-2:2016 © IEC 2016

FICHES, SOCLES DE PRISE DE COURANT, PRISES MOBILES DE VÉHICULES ET SOCLES DE CONNECTEURS DE VÉHICULE – CHARGE CONDUCTIVE DES VÉHICULES ÉLECTRIQUES –

Partie 2 : Exigences dimensionnelles de compatibilité et d' interchangeabilité pour les appareils à broches et alvéoles pour courant alternatif

1 Domaine d' application

La présente partie de l' IEC 62196 s' applique aux fiches, aux socles de prise de courant, aux prises mobiles et socles de connecteurs de véhicule, à broches et alvéoles, de configurations normalisées, ci-après dénommés appareils . Ces appareils ont une tension d' emploi assignée ne dépassant pas 480 V en courant alternatif, 50 Hz à 60 Hz, et un courant assigné ne dépassant pas 63 A en triphasé ou 70 A en monophasé, et sont destinés à la charge conductive des véhicules électriques .

La présente partie de l' IEC 62196 couvre les appareils d' interface basique pour l' alimentation de véhicules tels que spécifiés dans l' IEC 62196- 1 et destinés à être utilisés dans les systèmes de charge conductive pour les circuits spécifiés dans l' IEC 61851- 1 :2010 .

NOTE 1 Les véhicules électriques routiers (VE) comprennent tous les véhicules routiers, y compris les véhicules routiers hybrides rechargeables (PHEV , *Plug-in Hybrid Electric road Vehicles*), dont une partie ou la totalité de l' énergie provient du système de stockage d' énergie rechargeable (RESS , *Rechargeable Energy Storage System*) .

Ces appareils sont destinés à être utilisés pour les circuits spécifiés dans l' IEC 61851- 1 :2010 qui fonctionnent à différentes tensions et fréquences et qui peuvent inclure la très basse tension (TBT) et les signaux de communication .

Ces appareils peuvent être utilisés pour le transfert bidirectionnel de puissance (à l' étude) .

La présente norme s' applique aux appareils à utiliser à une température ambiante comprise entre – 30 °C et +50 °C .

NOTE 2 Dans le pays suivant, d' autres exigences relatives à la température inférieure peuvent s' appliquer: NO .

NOTE 3 Dans le pays suivant, la température de – 35 °C s' applique: SE .

Ces appareils sont destinés à être connectés uniquement à des câbles ayant des conducteurs en cuivre ou en alliage de cuivre .

Les socles de connecteurs de véhicules et prises mobiles pour véhicules décrits dans la présente norme sont destinés à être utilisés pour la charge dans les modes de charge 1, 2 et 3, cas B et C . Les socles de prises de courant et les fiches couverts par la présente norme sont destinés à être utilisés pour la charge en mode 3 uniquement, cas A et B .

Les modes et connexions autorisés sont spécifiés dans l' IEC 62196- 1:2014 .

2 Références normatives

L' article 2 de l' IEC 62196- 1:2014 s' applique avec les exceptions suivantes:

Addition:

IEC 62196- 1:2014, *Fiches, socles de prise de courant, prises mobiles de véhicule et socles de connecteur de véhicule – Charge conductive des véhicules électriques – Partie 1: Règles générales*

3 Termes et définitions

L'article 3 de l' IEC 62196- 1:2014 s'applique .

4 Généralités

L'article 4 de l' IEC 62196- 1:2014 s'applique .

5 Caractéristiques assignées

L'article 5 de l' IEC 62196- 1:2014 s'applique avec les exceptions suivantes:

5.1 Remplacement:

Plage des tensions d'emploi assignées:

30 V (signal ou fonctions de contrôle uniquement);

250 V c .a .

480 V c .a .

5.2 Remplacement:

Les courants assignés sont:

2 A (signal ou fonctions de contrôle uniquement)

13 A monophasé

16 A monophasé et triphasé

20 A monophasé et triphasé

30 A ou 32 A monophasé et triphasé

60 A ou 63 A monophasé et triphasé

70 A monophasé uniquement

NOTE 1 Dans les pays suivants, le dispositif de protection contre les surintensités du circuit de dérivation est basé sur 125 % du courant assigné de l'appareil: US .

NOTE 2 La référence aux caractéristiques assignées de "30 A ou 32 A" et "60 A ou 63 A" est faite conformément aux exigences nationales .

6 Connexion entre l'alimentation électrique et le véhicule électrique

L' article 6 de l' IEC 62196- 1:2014 s'applique avec les exceptions suivantes:

6.1 Remplacement:

Cet article donne une description des exigences physiques relatives à l'interface électrique conductive entre le véhicule et l'alimentation électrique et autorise la conception suivante pour cette interface:

IEC 62196-2:2016 © IEC 2016

- une interface basique qui fournit des courants assignés jusqu'à 63 A c.a. triphasé et jusqu'à 70 A c.a. monophasé .

Différents types de configurations pour l'interface basique peuvent permettre une application différente du mode et des courants assignés . Voir l'introduction aux feuilles de norme correspondantes pour plus d'informations .

6.2 *Remplacement:*

Il existe un type de socle de connecteur de véhicule:

- basique

6.3 *Remplacement:*

Il existe un type de prise mobile de véhicule:

- basique

6.4 Ne s'applique pas .

6.5 *Remplacement:*

L'interface basique peut posséder jusqu'à 7 contacts de puissance ou de signal , avec des configurations physiques uniques pour la position des contacts en monophasé ou en triphasé . Leurs caractéristiques électriques assignées et leurs fonctions sont décrites aux Tableaux 201 et 202 . Leurs caractéristiques électriques assignées et leurs fonctions sont décrites dans les Feuilles de norme .

Chaque socle de connecteur de véhicule doit être uniquement compatible avec le type correspondant de prise mobile de véhicule . Chaque fiche doit être uniquement compatible avec le type correspondant de socle de prise de courant .

Les appareils de type 1, 2 ou 3 ont les caractéristiques assignées suivantes:

- le connecteur de véhicule de type 1 est 250 V, 32 A monophasé .
- le connecteur de véhicule , le socle de prise de courant et la fiche de type 2 sont:
 - 250 V, 13 A ou 20 A ou 32 A, ou 63 A ou 70 A monophasé,
 - 480 V, 13 A ou 20 A ou 32 A, ou 63 A, triphasé .
- le connecteur de véhicule , le socle de prise de courant et la fiche de type 3 sont:
 - 250 V, 16 A ou 32 A, monophasé,
 - 480 V, 32 A, ou 63 A triphasé .

Tableau 201 – Présentation de l'interface basique pour véhicule, configuration de type 1, monophasé

Position n° ^a	Courant alternatif	Fonctions ^c
1	250 V 32 Ab	L1 (réseau 1)
2	250 V 32 A	L2 (réseau 2) / N (neutre)
3	Dimensionné pour les dé fauts	PE (masse/ terre)
4	30 V 2 A	CP (contact pilote)
5	30 V 2 A	CS (Commutateur de connexion)

^a Le numéro de position ne fait pas référence à l'emplacement et/ou à l'identification du contact dans l'appareil .

^b Dans les pays suivants, la protection contre les surintensités du circuit de dérivation est basée sur 125 % du courant assigné de l'appareil: US .

^c Pour les contacts 4 et 5, les conditions d'environnement peuvent exiger des sections de conducteurs plus grandes .

Tableau 202 – Présentation de l'interface basique pour véhicule, configuration de types 2 et 3, monophasé ou triphasé

Position n° ^f	Triphasé			Monophasé		Fonctions
	U _{max} V courant alternatif	I _{max} ^a		I _{max} ^a		
		A		A		
		Type 2	Type 3	Type 2 ^b	Type 3	
1	480	63		70	63	L1 (réseau 1) ^b
2	480	63		- ^c	- ^c	L2 (réseau 2)
3	480	63		- ^c	- ^c	L3 (réseau 3)
4	480	63		70	63	N (neutre) ^{b, e}
5	—	Dimensionné pour les dé fauts				PE (masse/ terre)
6	30	2				CP (Contact pilote)
7	30	2				PP (Contact de proximité) ^d ou CS (Commutateur de connexion) ^d

^a Dans les pays suivants, la protection contre les surintensités du circuit de dérivation est basée sur 125 % du courant assigné de l'appareil: US .

^b En monophasé, les contacts de charge 1 et 4 doivent être utilisés .

^c Les contacts non utilisés peuvent ne pas être installés . Non fournis pour les feuilles de norme 2- IIIa et 2- IIIb .

^d Non fournis pour la feuille de norme 2- IIIa .

^e Pour les alimentations monophasées entre phases, ce contact peut être utilisé pour L2 (réseau 2) .

^f Le numéro de position ne fait pas référence à l'emplacement et/ou à l'identification du contact dans l'appareil .

IEC 62196-2:2016 © IEC 2016

6.6 *Ne s'applique pas.*

6.7 *Ne s'applique pas.*

6.201 Communication et fonction de contact pilote

Le contact pilote et le contact de proximité, ou le contact du commutateur de connexion sont destinés à être utilisés conformément à la classification des appareils de l'IEC 61851-1:2010.

7 Classification des appareils

L'article 7 de l'IEC 62196-1:2014 s'applique avec les exceptions suivantes:

7.4 Selon les manœuvres d'un point de vue électrique

Remplacement:

- Aptes à établir et à interrompre un circuit électrique en charge pour les configurations de Types 1 et 3 jusqu'à 32 A;
- Non aptes à établir et à interrompre un circuit électrique en charge pour les configurations de Type 2
- Non aptes à établir et à interrompre un circuit électrique en charge pour les configurations de Type 3 avec une valeur assignée de 63 A.

NOTE Il est considéré que les circuits de communication décrits dans la présente norme n'établissent ni n'interrompent la charge dans le cadre du présent article.

7.5 Selon leur interface

Remplacement:

L'interface est spécifiée à l'article 6.

- Type basique.

7.201 D'après les Feuilles de norme utilisées

- Configuration de type 1;
- Configuration de type 2;
- Configuration de type 3.

8 Marquage

L'article 8 de l'IEC 62196-1:2014 s'applique.

9 Dimensions

L'article 9 de l'IEC 62196-1:2014 s'applique avec les exceptions suivantes:

9.1 Remplacement:

Les appareils doivent être conformes aux feuilles de norme correspondantes telles que spécifiées ci-dessous et dans le Tableau 203:

Configuration de type 1

- Connecteurs de véhicule ne dépassant pas 250 V, 32 A monophasé: feuille de norme 2-1.

- Système de verrouillage en option: feuille de norme 2- la .

NOTE Aux États- Unis, les feuilles de norme 2- I et 2- la peuvent s'appliquer à des connecteurs de véhicule présentant un courant assigné jusqu'à 80 A .

Configuration de type 2

- Appareils ne dépassant pas 480 V, 63 A triphasé ou 70 A monophasé: feuilles de norme 2- II, IIa, IIb, IIc, IId, IIe, IIf, IIg et IIh .

Configuration de type 3

- Appareils 250 V, 16 A monophasé avec un pilote: feuille de norme 2- IIIa ;
- Appareils 250 V, 32 A monophasé avec deux pilotes: feuille de norme 2- IIIb ;
- Appareils 480 V, 63 A triphasé avec deux pilotes: feuille de norme 2- IIIc ;
- Dispositif de retenue et volume enveloppe: feuille de norme 2- IIId .

Tableau 203 – Types de configurations et feuilles de norme

Type de configuration	Feuille de norme	Appareils applicables	Tension assigné e V	Courant assigné A	Phase
1	2-I	Connecteurs de véhicule	250	32	Monophasé
2	2-II	Appareils	480	70	Monophasé
				63	Triphasé
3	2-III	Appareils	250	16	Monophasé
			250	32	Monophasé
			480	63	Triphasé

10 Protection contre les chocs é lectriques

L'article 10 de l' IEC 62196- 1:2014 s'applique .

11 Section et couleur des conducteurs de terre de protection

Remplacement:

Le conducteur relié à la borne de terre doit être identifié par la combinaison des couleurs verte et jaune . La section nominale du conducteur de terre et du conducteur de neutre , s'il existe, doit être au moins égale à celle des conducteurs de phase .

NOTE Dans les pays suivants, la couleur verte peut être utilisée pour identifier le conducteur de terre: JP, US, CA .

12 Dispositions pour la mise à la terre

L'article 12 de l' IEC 62196- 1:2014 s'applique .

13 Bornes

L'article 13 de l' IEC 62196- 1:2014 s'applique avec les exceptions suivantes:

Paragraphe complé mentaire:

IEC 62196-2:2016 © IEC 2016

13.201 La connexion filaire interne des composants, par exemple les résistances de codage , peut être démontable ou non démontable .

1 4 Dispositifs de verrouillage

L'article 14 de l' IEC 62196- 1:2014 s'applique .

1 5 Résistance au vieillissement du caoutchouc et des matériaux thermoplastiques

L'article 15 de l' IEC 62196- 1:2014 s'applique .

1 6 Construction générale

L'article 16 de l' IEC 62196- 1:2014 s'applique .

1 7 Construction des socles de prise de courant

L'article 17 de l' IEC 62196- 1:2014 s'applique .

1 8 Construction des fiches et des prises mobiles de véhicule

L'article 18 de l' IEC 62196- 1:2014 s'applique .

1 9 Construction des socles de connecteur de véhicule

L'article 19 de l' IEC 62196- 1:2014 s'applique .

2 0 Degrés de protection

L'article 20 de l' IEC 62196- 1:2014 s'applique .

2 1 Résistance d' isolement et rigidité diélectrique

L'article 21 de l' IEC 62196- 1:2014 s'applique .

2 2 Pouvoir de coupure

L'article 22 de l' IEC 62196- 1:2014 s'applique .

2 3 Fonctionnement normal

L'article 23 de l' IEC 62196- 1:2014 s'applique .

2 4 Échauffement

L'article 24 de l' IEC 62196- 1:2014 s'applique avec les exceptions suivantes:

24.1 *Ajouter, après le septième alinéa:*

Pour les appareils dépendant de résistances de codage destinées à définir le courant assigné à l'appareil, l'essai doit être répété à l'aide d'un ensemble d'échantillons pour chaque valeur de résistance de codage et à un courant maximal correspondant à la valeur de la résistance de codage.

25 Câbles souples et leur connexion

L'article 25 de l'IEC 62196- 1:2014 s'applique .

26 Résistance mécanique

L'article 26 de l' IEC 62196- 1:2014 s'applique .

27 Vis, parties transportant le courant et connexions

L'article 27 de l' IEC 62196- 1:2014 s'applique .

28 Lignes de fuite, distances dans l'air et distances

L'article 28 de l' IEC 62196- 1:2014 s'applique .

29 Résistance à la chaleur, au feu et aux courants de cheminement

L'article 29 de l' IEC 62196- 1:2014 s'applique .

30 Corrosion et résistance à la rouille

L'article 30 de l' IEC 62196- 1:2014 s'applique .

31 Essai de tenue au courant de court-circuit potentiel

L'article 31 de l' IEC 62196- 1:2014 s'applique .

32 Compatibilité électromagnétique (CEM)

L'article 32 de l' IEC 62196- 1:2014 s'applique .

33 Écrasement par roulage de véhicule

L'article 33 de l' IEC 62196- 1:2014 s'applique avec les exceptions suivantes:

33.3 Ne s'applique pas .

33.4 Ne s'applique pas .

IEC 62196-2:2016 © IEC 2016

201 Composants

NOTE Le présent article sera transféré à l'Article 4 de la Partie 1 lors de sa prochaine révision .

201.1 Caractéristiques assignées

Un composant doit être utilisé conformément à ses caractéristiques assignées établies pour les conditions d'utilisation prévues .

La conformité est vérifiée par examen.

201.2 Assemblage mécanique

Le desserrage de pièces d'un appareil dû à des vibrations suite au stockage, à la manipulation et au fonctionnement ne doit pas provoquer de risque d'incendie, de chocs électriques, de blessures aux personnes .

La conformité est vérifiée par examen.

201.3 Parties transportant le courant

Toute partie active non isolée d'un composant doit être fixée à la base ou à la surface d'appui, ou être isolée autrement de telle sorte que cette partie ne tourne pas ni ne se déplace dans une position telle que cela donne lieu à une réduction des lignes de fuite, des distances dans l'air et des distances au-dessous des valeurs minimales exigées de l'IEC 62196- 1:2014, Article 28 .

La conformité est vérifiée par examen.

201.4 Raccordements électriques

201.4.1 Les exigences décrites de 201.4.2 à 201.4.4 s'appliquent à des raccordements de câblage interne qui sont montés en usine dans l'appareil .

La conformité est vérifiée par examen.

201.4.2 Une épissure ou un raccordement doit être assuré mécaniquement et doit établir un contact électrique .

La conformité est vérifiée par examen.

201.4.3 Un raccordement soudé est réputé être assuré mécaniquement lorsque le conducteur est:

- enroulé d'un tour complet autour d'une borne,
- plié à angle droit après être passé dans un œillet ou une ouverture, sauf sur les cartes à circuit imprimé où les composants sont insérés ou fixés (comme dans le cas d'un composant monté en surface) et soudé à la vague ou à recouvrement, ou
- torsadé avec d'autres conducteurs;
- ou un dispositif équivalent .

La conformité est vérifiée par examen.

201.4.4 Une épissure doit être équipée d'une isolation équivalente à celle des fils impliqués sauf si les lignes de fuite ou distances dans l'air sont maintenues en permanence entre l'épissure et d'autres parties métalliques . Il n'est pas interdit que l'isolation de l'épissure dispose:

- d'un dispositif d'épissage tel qu'un connecteur à pression pour câbles, ayant des caractéristiques assignées de tension et de température appropriées;
- d'un tube ou d'un manchon isolant utilisé pour recouvrir une épissure .

La conformité est vérifiée par examen.

202 Codage par résistances

La prise mobile de véhicule et la fiche des configurations de type 2 et de types 3b et 3c doivent être équipées de résistances de codage (R_c) afin de définir le courant admissible maximal du câble de charge , de la prise mobile de véhicule et de la fiche .

Les valeurs et les tolérances de la résistance doivent être telles que spécifiées dans l' IEC 61851- 1 :2010 , article B .5 "Circuit pour la détection de proximité simultanée et le codage de courant pour les prises mobiles de véhicules et les fiches " .

La conformité est vérifiée par examen.

IEC 62196-2:2016 © IEC 2016

FEUILLES DE NORME

CONFIGURATION DE TYPE 1

FEUILLES DE NORME 2-1

CONNECTEUR DE VÉHICULE 32 A, 250 V C .A .

Vue d'ensemble

Les feuilles de norme 2-1 s'appliquent aux connecteurs de véhicule de configuration de type 1 : 32 A , 250 V c .a . monophasé .

Pour la configuration de type 1, l'Annexe A «Fonction pilote à travers un circuit pilote de contrôle utilisant une modulation de largeur d'impulsion (MLI) et un fil pilote» et l'Article B .2 « Schémas de circuit pour les charges en mode 1 , en mode 2 et en mode 3 à l'aide d'un connecteur monophasé basique» de l' IEC 61851- 1 :2010 doivent être appliqués . La tension +V en courant continu du Tableau B .2 de l' IEC 61851- 1 :2010 doit être une alimentation régulée à +5 V .

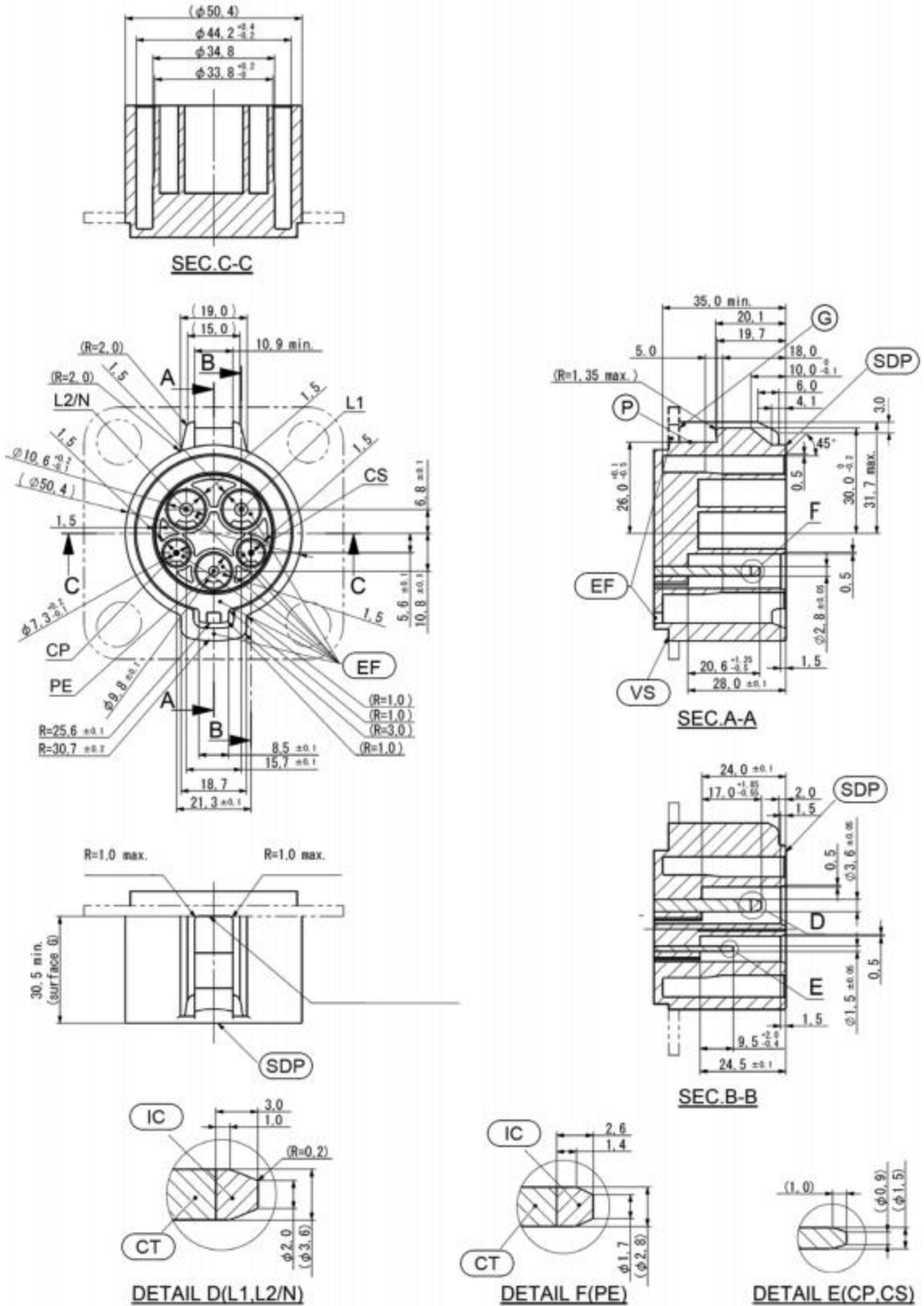
Les feuilles de norme 2-1a définissent le système de verrouillage en option .

Cette configuration ne doit pas être utilisée en mode 1 au dessus de 150 V entre phase et terre .

FEUILLES DE NORME 2-1

Feuille 1

SOCLE DE CONNECTEUR DE VÉHICULE 32 A, 250 V C .A .

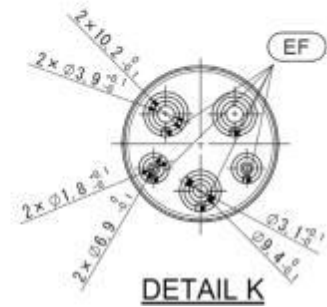
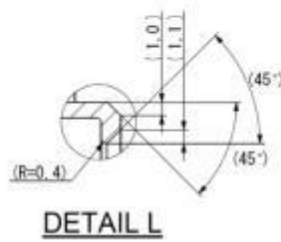
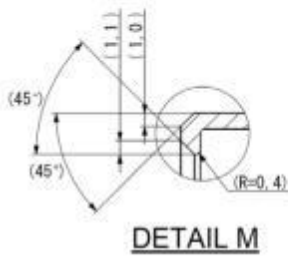
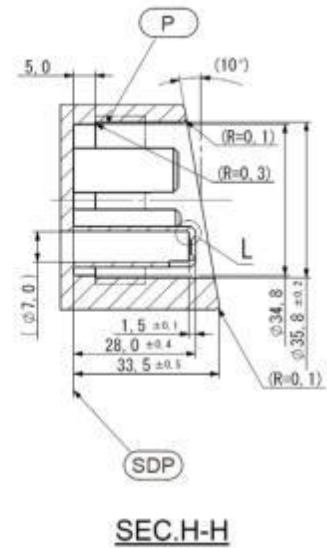
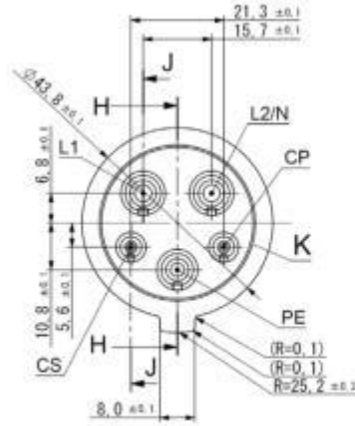
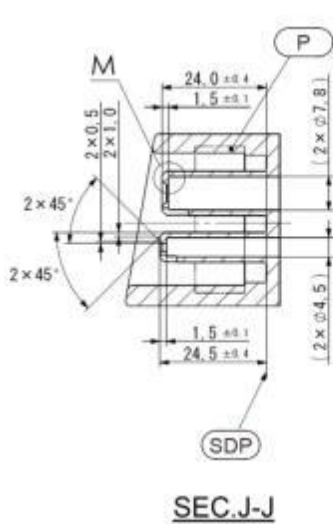


IEC 62196-2:2016 © IEC 2016

La valeur entre parenthèses sert de référence

Tolérance géométrique			
10 Max : ±0,15	50 Max : ±0,2	100 Max : ±0,3	Angle: ±30'

Repère	Description
SDP	Plan de référence normalisé
G	Surface G (le cas échéant)
P	Surface P
IC	Embout isolé
CT	Contact
EF	Sortie de fluides (si nécessaire)
VS	Surface du véhicule

FEUILLE DE NORME 2- I
Feuille 2 (suite de la Feuille 1)
PRISE MOBILE DE VÉHICULE 32 A, 250 V C .A .


IEC

Dimensions en millimètres

La valeur entre parenthèses sert de référence

Tolérance générale			
10 Max : ±0,15	50 Max : ±0,2	100 Max : ±0,3	Angle: ±30°

Repère	Description
EF	Sortie de fluides (le cas échéant)
P	Volume (si nécessaire) de la méthode d'étanchéité pour IP44 lorsqu'il est couplé au socle de connecteur de véhicule
SDP	plan de référence normalisé de la prise mobile de véhicule

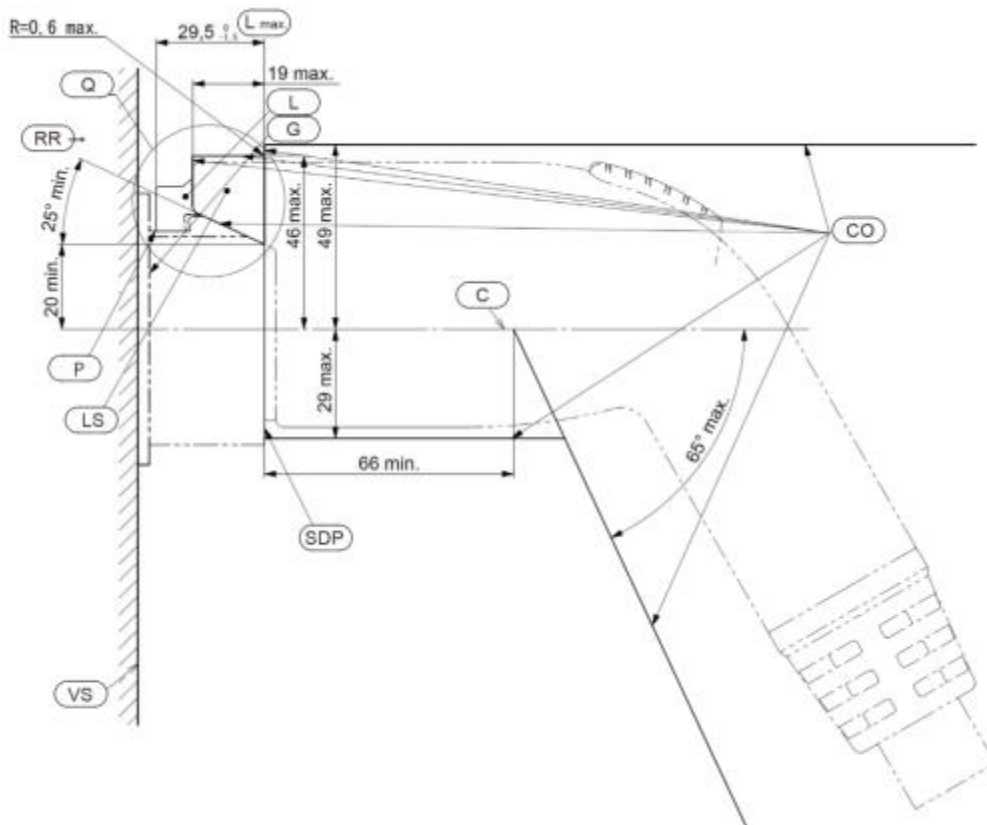
FEUILLE DE NORME 2- I

Feuille 3 (suite de la Feuille 2)

**PRISE MOBILE DE VÉHICULE
DISPOSITIF DE RETENUE DU CONNECTEUR DE VÉHICULE IP44
DIMENSIONS MAXIMALES DU CONTOUR DU CORPS**

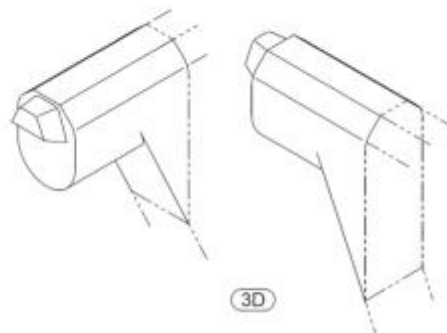
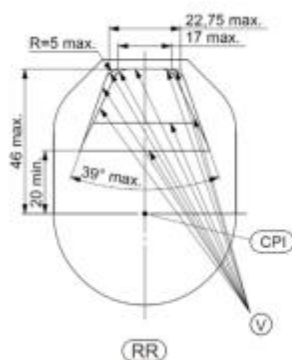
Crochet en position fermée .

Dimensions en millimètres



Vue latérale du connecteur de véhicule

IEC



IEC

Repère	Description
CO	La forme du corps de la prise mobile de véhicule doit se trouver à l'intérieur de ces lignes pleines
L _{max.}	Limite de longueur du crochet
C	Axe du socle de connecteur de véhicule
CPI	Point central du socle de connecteur de véhicule
SDP	Plan de référence normalisé du socle de connecteur de véhicule
LS	Capotage du crochet (le cas échéant)
VS	Surface du véhicule
L	Crochet
Q	Voir la suite
P	Surface P
G	Surface G
V	Le cas échéant, la forme du capotage du crochet doit être à l'intérieur de ces lignes continues. Le crochet ne doit pas dépasser au-delà de ce profil quand il est en position complètement "ouvert".
RR	La vue RR indique la forme du capotage, le cas échéant
3D	Vue 3D
NOTE	Le capotage n'est pas obligatoire.

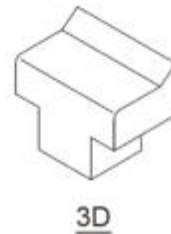
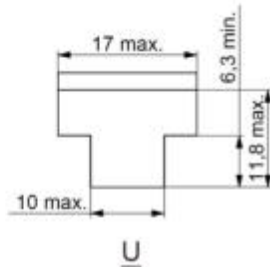
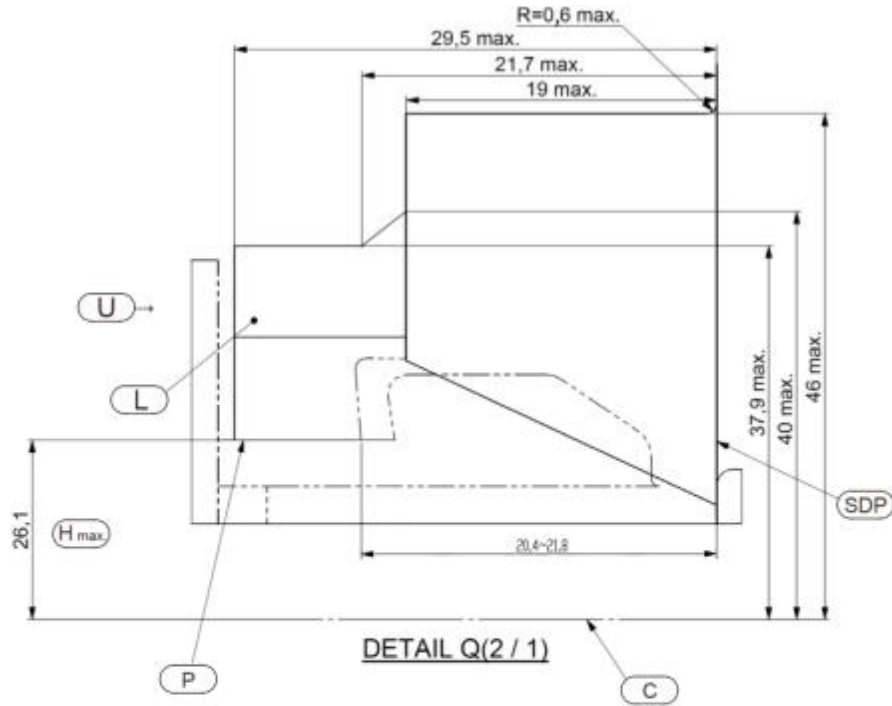
Les dessins ne sont pas destinés à définir la conception du corps de la prise mobile de véhicule et de la forme du crochet, sauf pour les dimensions présentées.

FEUILLE DE NORME 2- I

Feuille 4 (suite de la Feuille 3)

DIMENSIONS MAXIMALES DU CONTOUR DU CROCHET DE RETENUE

Crochet pré senté en contact avec la surface P



IEC

Les dessins ne sont pas destinés à définir la conception de la forme du crochet, sauf pour les dimensions présentées.

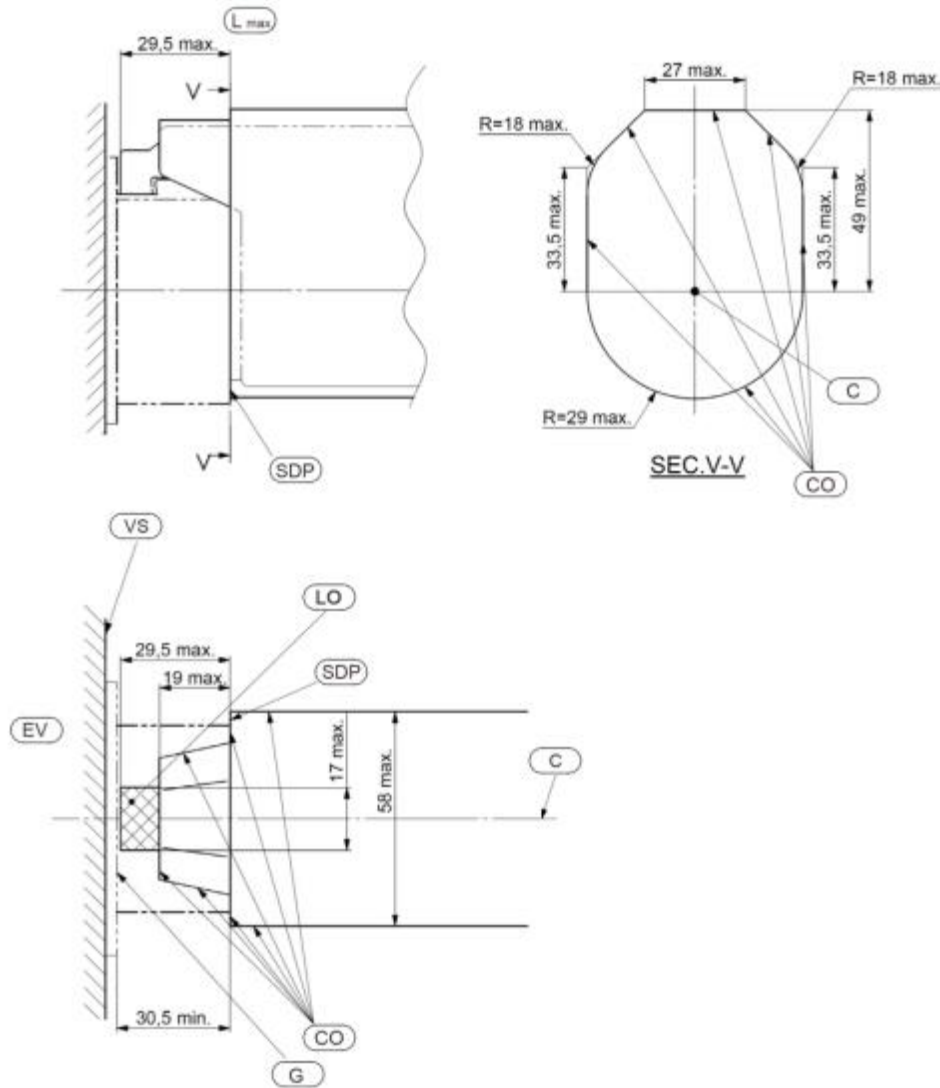
Dimensions en millimètres

Repère	Description
C	Axe du socle de connecteur de véhicule
H _{max.}	Hauteur maximale de la surface P (voir coupe A-A)
L	Crochet
P	Surface P
SDP	Plan de référence normalisé du socle de connecteur de véhicule
U	Dimensions maximales du contour du crochet de retenue

FEUILLE DE NORME 2- I

Feuille 5 (suite de la Feuille 4)

**PRISE MOBILE DE VÉHICULE
DIMENSIONS MAXIMALES DU CORPS ET CONTOUR DU CROCHET**



IEC

Les dessins ne sont pas destinés à définir la conception du corps de la prise mobile de véhicule et de la forme du crochet, sauf pour les dimensions présentées.

Repère	Description
G	Surface G (le cas échéant)
SDP	Plan de référence normalisé du socle de connecteur de véhicule
C	Point central du socle de connecteur de véhicule
L_{max}	Limite de longueur du crochet
CO	La forme du corps de la prise mobile de véhicule doit se trouver à l'intérieur de ces lignes pleines
EV	Véhicule électrique
LO	Le crochet doit se trouver dans cette zone grisée.
VS	Surface du véhicule

FEUILLE DE NORME 2- 1a

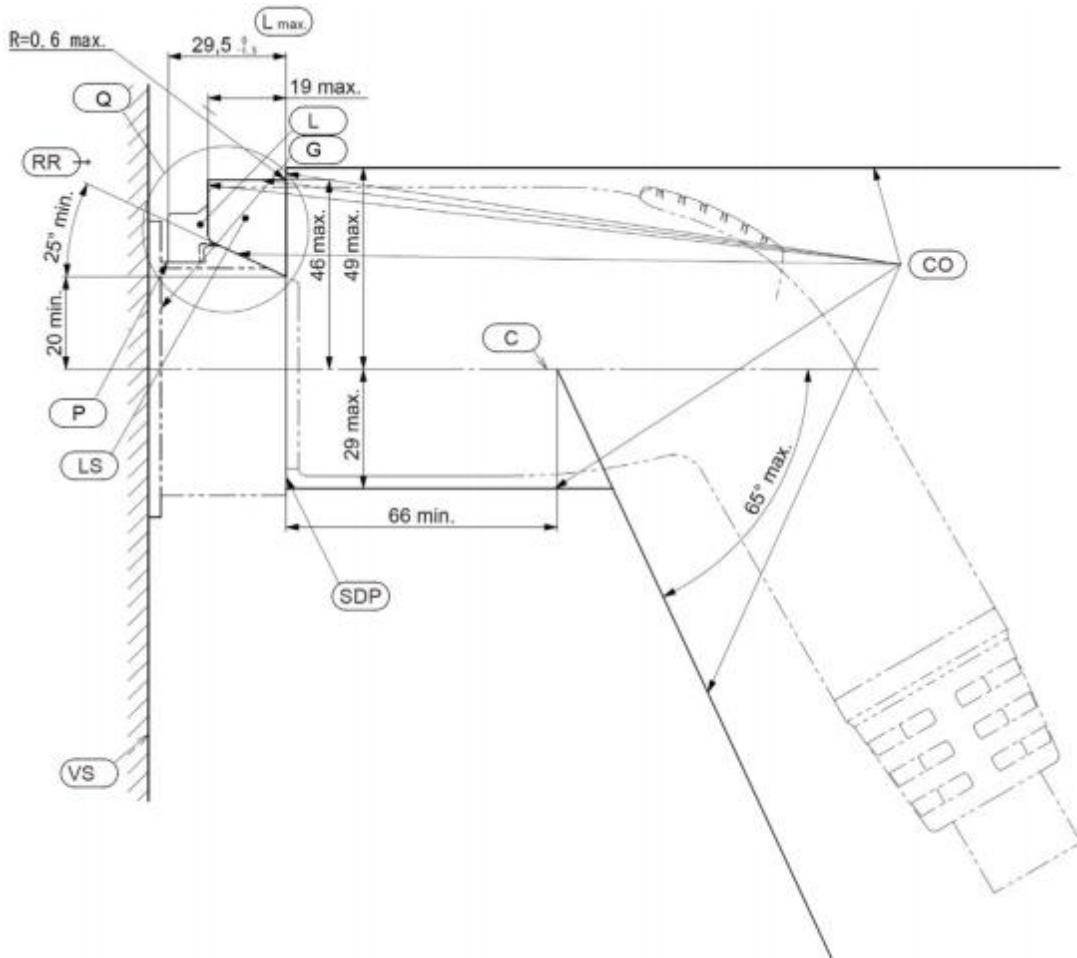
Feuille 1

CONNECTEUR DE VÉHICULE
SYSTÈME DE VERROUILLAGE EN OPTION

DISPOSITIF DE RETENUE IP44 DE LA PRISE MOBILE DE VÉHICULE
DIMENSIONS MAXIMALES DU CONTOUR DU CORPS

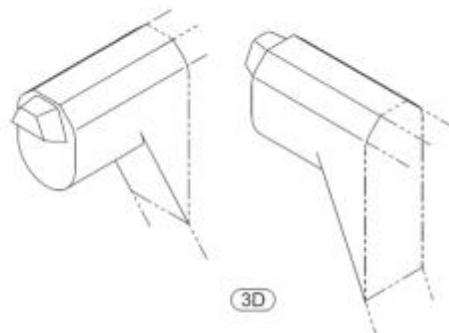
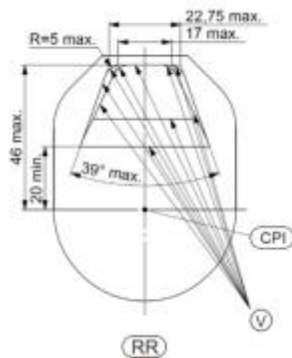
Crochet en position fermée

Dimensions en millimètres



Vue latérale du connecteur de véhicule

IEC



IEC

Repère	Description
CO	La forme du corps de la prise mobile de véhicule doit se trouver à l'intérieur de ces lignes pleines
L _{max.}	Limite de longueur du crochet
C	Axe du socle de connecteur de véhicule
CPI	Point central du socle de connecteur de véhicule
SDP	Plan de référence normalisé du socle de connecteur de véhicule
LS	Capotage du crochet (le cas échéant)
VS	Surface du véhicule
L	Crochet
Q	Voir la suite
RR	La vue RR indique la forme du capotage, le cas échéant
CO	La forme du corps de la prise mobile de véhicule doit se trouver à l'intérieur de ces lignes pleines
P	Surface P
G	Surface G
V	Le cas échéant, la forme du capotage du crochet doit être à l'intérieur de ces lignes continues. Le crochet ne doit pas dépasser au-delà de ce profil quand il est en position complètement "ouvert".
3D	Vue 3D
NOTE	Le capotage n'est pas obligatoire.

Les dessins ne sont pas destinés à définir la conception du corps de la prise mobile de véhicule et de la forme du crochet, sauf pour les dimensions présentées.

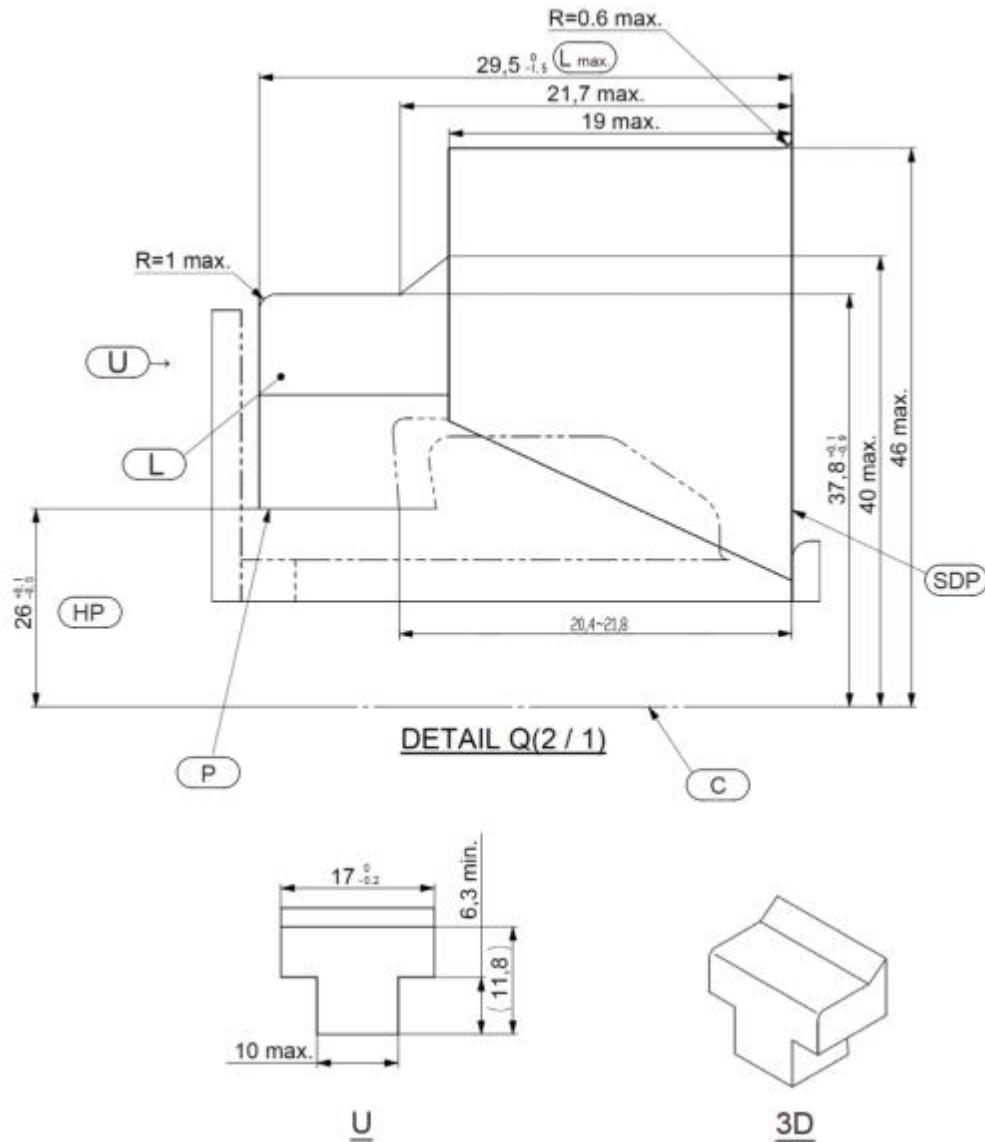
FEUILLE DE NORME 2- la
Feuille 2 (suite de la Feuille 1)

DIMENSIONS MAXIMALES DU CONTOUR DU CROCHET DE RETENUE

Dimensions en millimètres

Crochet pré senté en contact avec la surface P

Les dessins ne sont pas destinés à définir la conception de la forme du crochet, sauf pour les dimensions présentées.



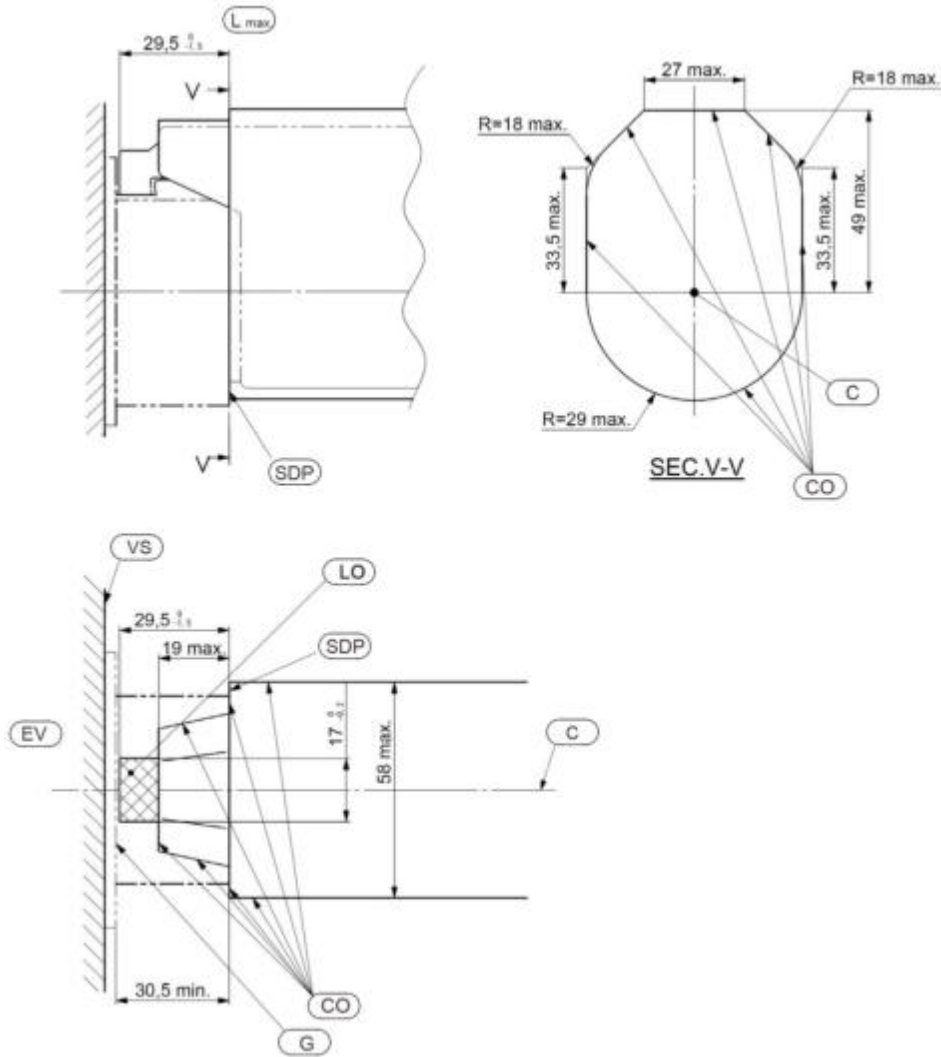
IEC

Repère	Description
C	Axe du socle de connecteur de véhicule
HP	Hauteur de la surface P (voir coupe A-A de la feuille de norme 2- I)
L	Crochet
P	Surface P
SDP	Plan de référence normalisé du socle de connecteur de véhicule
U	Dimensions maximales du contour du crochet de retenue
L _{max}	Limite de longueur du crochet

FEUILLE DE NORME 2- la
Feuille 3 (suite de la Feuille 2)

PRISE MOBILE DE VÉHICULE
DIMENSIONS MAXIMALES DU CORPS ET CONTOUR DU CROCHET

Dimensions en millimètres



IEC

Les dessins ne sont pas destinés à définir la conception du corps de la prise mobile de véhicule et de la forme du crochet, sauf pour les dimensions présentées.

Légende	Description
G	Surface G (le cas échéant)
SDP	Plan de référence normalisé du socle de connecteur de véhicule
C	Point central du socle de connecteur de véhicule
L_{max}	Limite de longueur du crochet
CO	La forme du corps de la prise mobile de véhicule doit se trouver à l'intérieur de ces lignes pleines
EV	Véhicule électrique
LO	Le crochet doit se trouver dans cette zone grisée.
VS	Surface du véhicule

IEC 62196-2:2016 © IEC 2016

CONFIGURATION DE TYPE 2

FEUILLES DE NORME 2-II

APPAREILS 63 A, 480 V TRIPHASÉS OU 70 A, 250 V MONOPHASÉS

Vue d'ensemble

Les feuilles de norme 2- II s'appliquent aux appareils de configuration de type 2: 63 A , 480 V c .a . triphasés ou 70 A, 250 V c .a . monophasés .

Pour la configuration de type 2 , les spécifications suivantes s'appliquent:

Le verrouillage et la retenue des appareils sont obligatoires pour éviter leur séparation involontaire et leur coupure en charge . Le verrouillage doit assurer que la transmission d'énergie est interrompue avant la séparation .

NOTE La fonction de verrouillage et de retenue peut être réalisée, par exemple par un dispositif mécanique ou électromécanique .

Le dispositif de verrouillage doit offrir un retour permettant d'indiquer que le mécanisme est engagé correctement . Au moins un dispositif de retenue doit être fourni .

Le retour peut être réalisé par exemple par un contact supplémentaire .

La fonction pilote doit être réalisée par la mise en œuvre de l' IEC 61851- 1 :2010 Annexe A, « Fonction pilote à travers un circuit pilote de contrôle utilisant une modulation de largeur d'impulsion (MLI) et un fil pilote» .

La détection de proximité et le codage du courant doivent être mis en œuvre selon l' IEC 61851- 1 :2010 Article B .5 « Circuit pour la détection de proximité simultanée et le codage de courant pour les prises mobiles et les fiches des véhicules» .

La compatibilité des appareils de configuration type 2 est indiquée au Tableau 204 .

Tableau 204 – Compatibilité des appareils de configuration de type 2

Appareils ^a	Fiche (mode 3) Feuille 2 - IIb	Socle de connecteur (tous les modes) Feuille 2 - IIc	Socle de connecteur (modes 2 et 3) Feuille 2 - IIe
Socle de prise de courant (mode 3) Feuille 2 - Ila	Oui	n . a . ^d	n . a . ^d
Prise mobile (mode 1) Feuille 2 - IIc	Non ^b	Oui	Non ^b
Prise mobile (modes 2 et 3) Feuille 2 - Ile	Non ^c	Oui	Oui

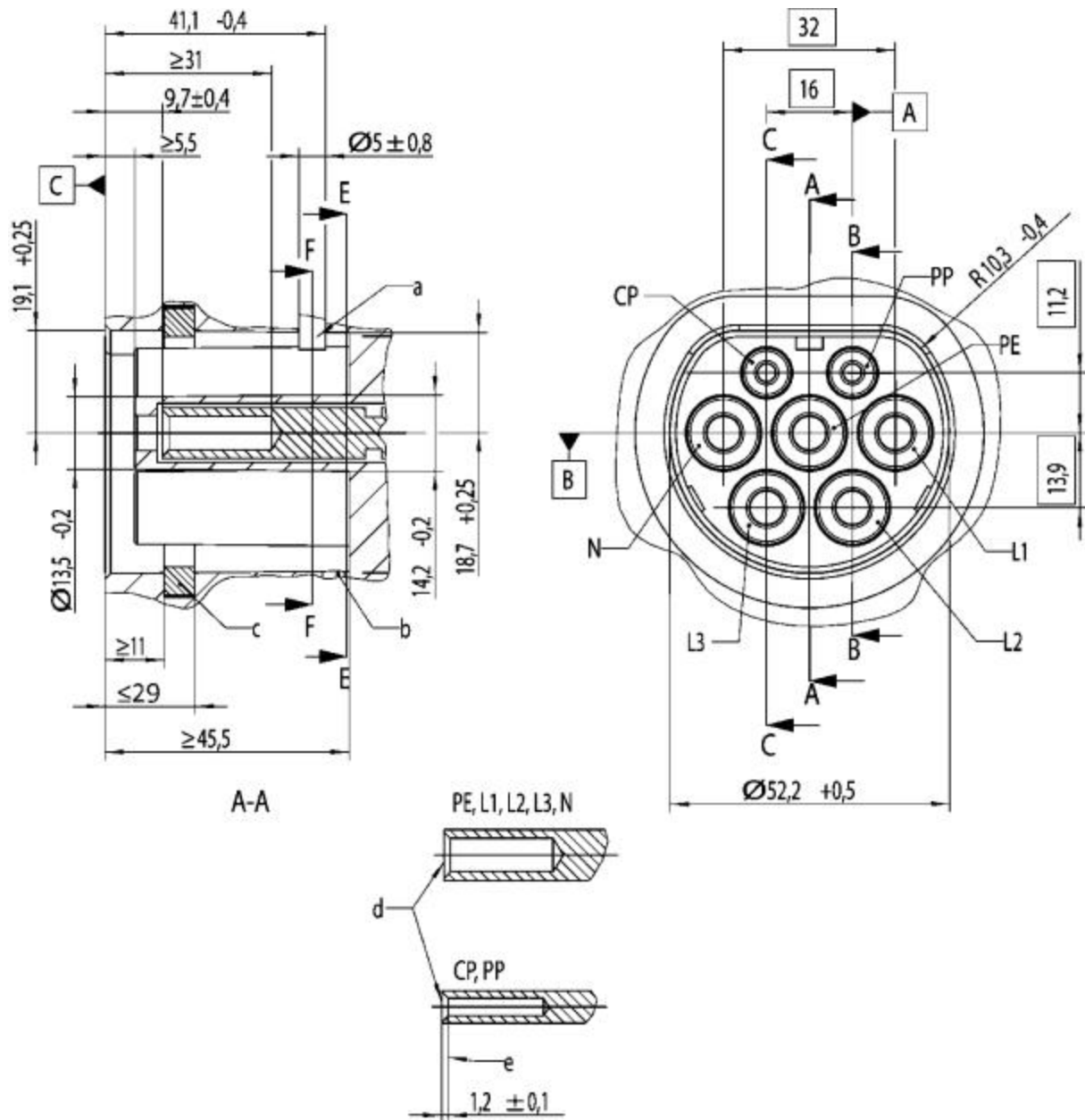
^a Les appareils de type 2 ne doivent être utilisés que dans les modes indiqués dans ce tableau .
^b Compatibilité exclue par le codage mécanique .
^c Compatibilité exclue par une ouverture du circuit pilote .
^d Les appareils fixes ne peuvent pas être raccordés ensemble .

Les Feuilles de norme 2- IIg et 2- IIh définissent les volumes enveloppe pour assurer la compatibilité .

FEUILLE DE NORME 2- IIa

Feuille 1

SOCLE DE PRISE DE COURANT
63 A, 480 V TRIPHASÉ OU 70 A, 250 V MONOPHASÉ



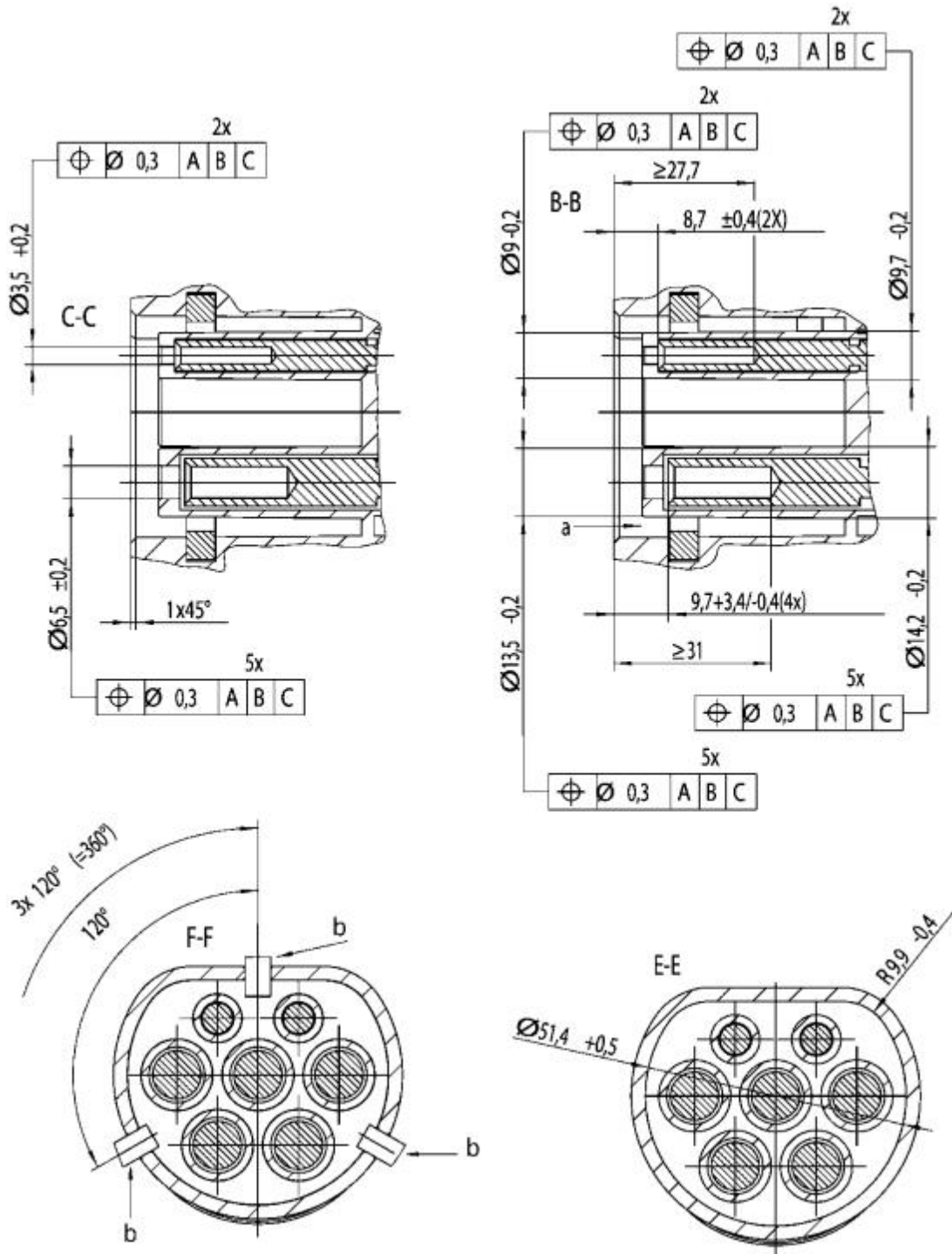
IEC

Rayons non dimensionnés: R 0,5 mm à 0,7 mm

- a Dispositif de retenue – Construction conforme à la décision du client
- b Trou de drainage en option
- c Zone d'étalement (étalement en option). Il faut que la zone de la fiche de 11 à 16,7 soit exempte de retrait, de coupe d'outil et de trace d'éjecteur. Voir 2- IIb feuille 1.
- d Extrémité des alvéoles chanfreinées pour faciliter l'insertion
- e Point de contact

Pour les socles de prises de courant monophasés, les contacts L2 et L3 comprenant l'isolation environnante peuvent être omis.

FEUILLE DE NORME 2- IIa
Feuille 2 (Suite de la Feuille 1)



IEC

Rayons non dimensionnés: R 0,5 mm à 0,7 mm

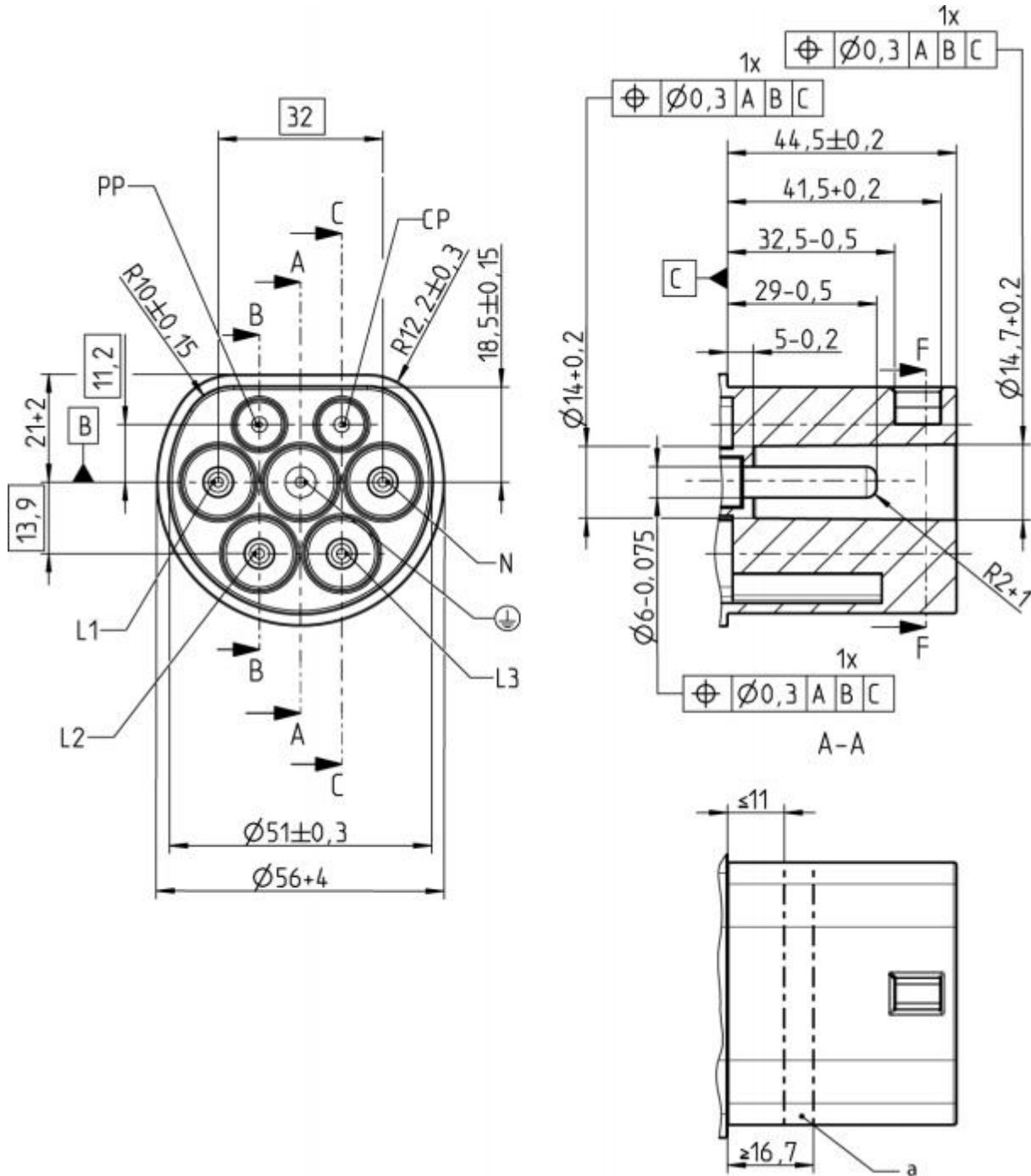
- a Zone préférentielle pour obturateur en option . Le mécanisme peut dépasser cette zone .
- b Positions des dispositifs de retenue . Au moins un dispositif de retenue fourni .

FEUILLE DE NORME 2- IIb

Feuille 1

FICHE

63 A, 480 V TRIPHASÉ OU 70 A, 250 V MONOPHASÉ



IEC

Rayons non dimensionnés: R 0,5 mm à 0,7 mm

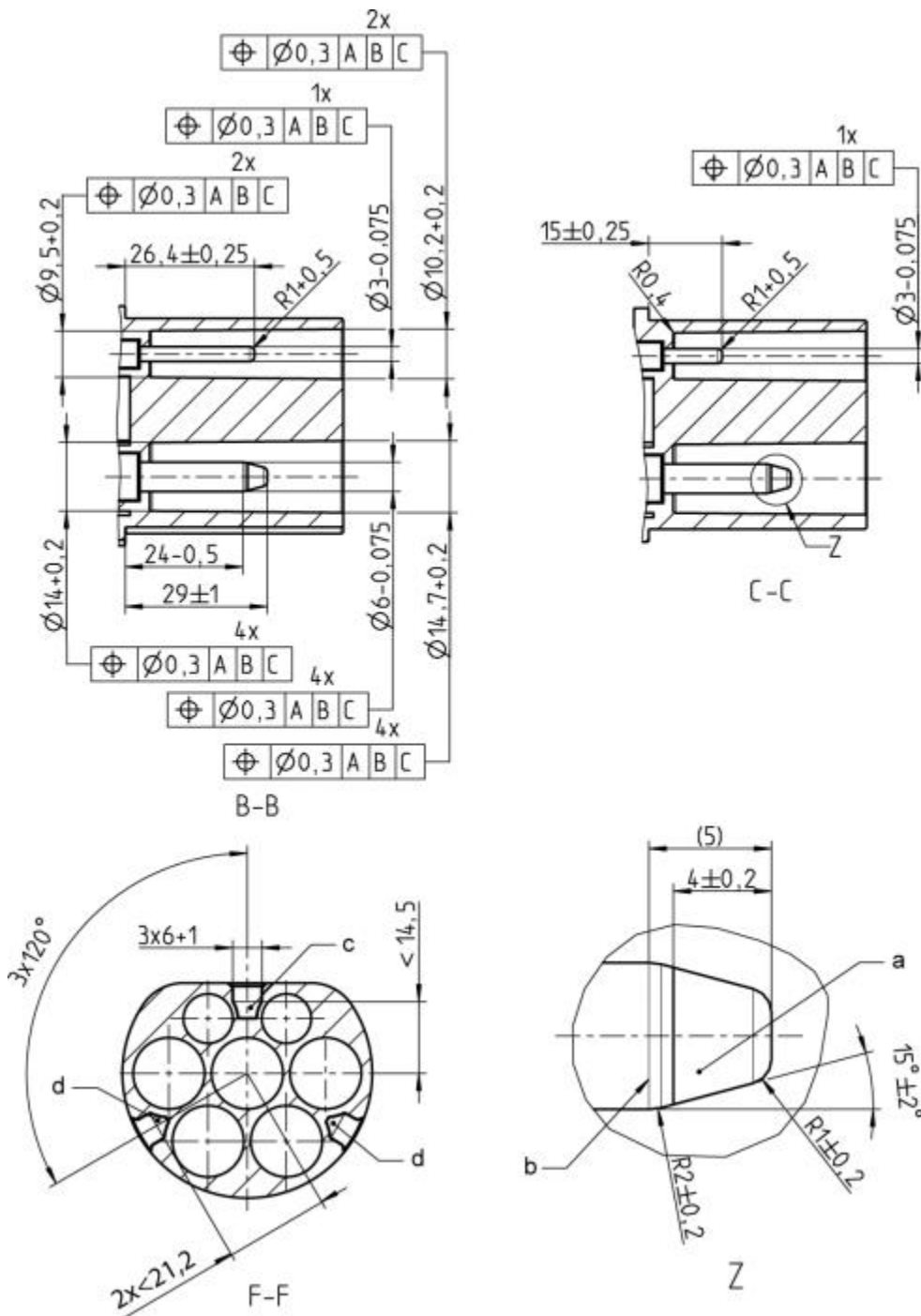
a Zone d'étalement exempte d'embu, de coupe d'outil et d'éjecteur.

Rugosité de surface de la zone d'étalement: $R_a = 0,7 \mu m$

Pour les fiches monophasées, les contacts L2 et L3 peuvent être omis.

FEUILLE DE NORME 2- IIB

Feuille 2 (suite de la Feuille 1)



IEC

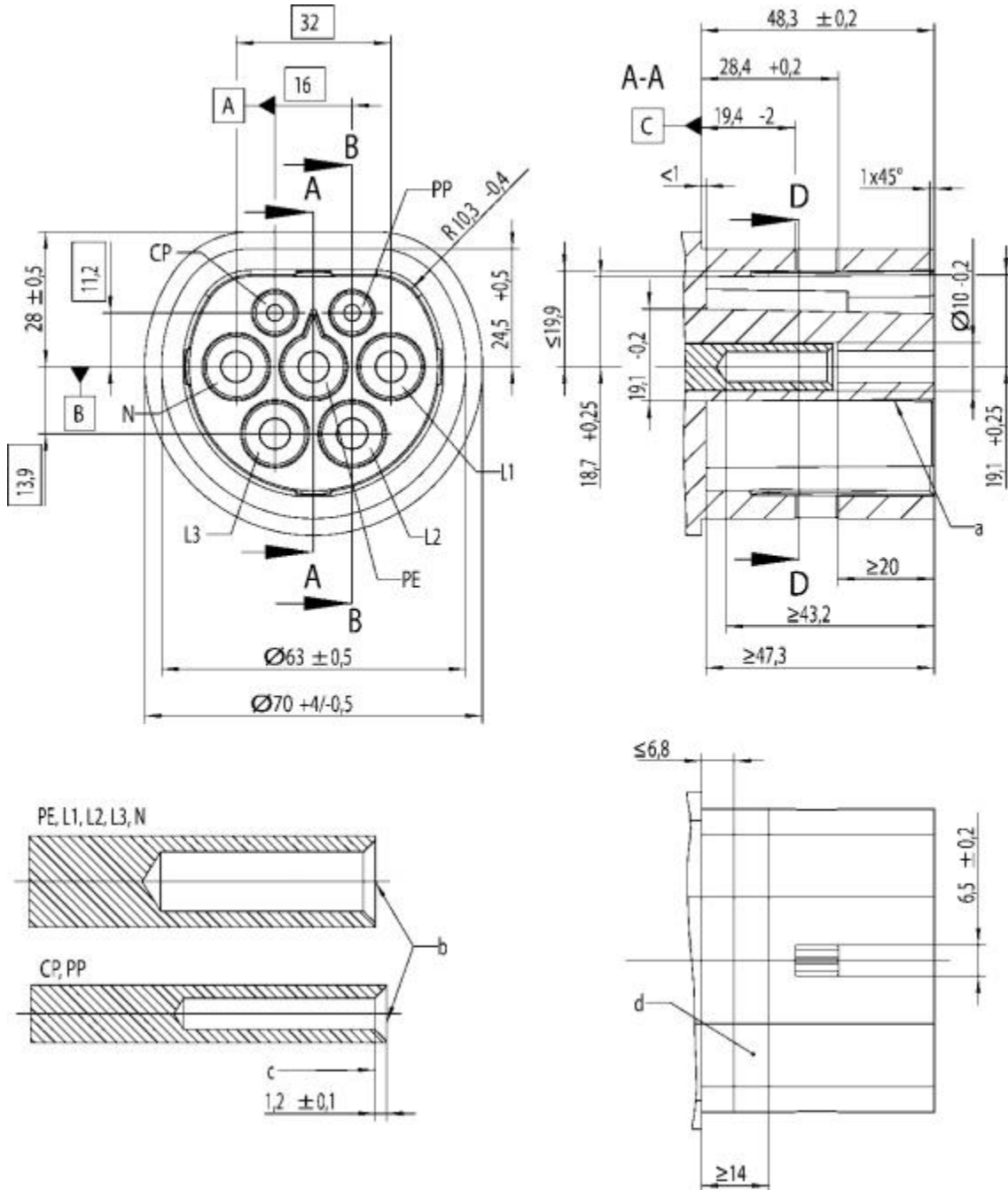
Rayons non dimensionnés: R 0,5 mm à 0,7 mm

- a Embout isolé
- b Aucune arête vive acceptable au niveau de la région de transition
- c La cavité doit avoir une forme rectangulaire avec des bords lisses et les dimensions indiquées, et doit être à l'intérieur des limites prescrites sur une distance <14,5 mm. Au-delà, les limites de la cavité peuvent avoir une forme déformée et les dimensions peuvent être déformées.
- d La cavité doit avoir une forme rectangulaire avec des bords lisses et les dimensions indiquées, et doit être à l'intérieur des limites prescrites sur une distance <21,2 mm. Au-delà de ces limites, la cavité peut avoir une forme et des dimensions déformées.

FEUILLE DE NORME 2- IIc

Feuille 1

PRISE MOBILE DE VÉHICULE
63 A, 480 V TRIPHASÉ OU 70 A, 250 V MONOPHASÉ



IEC

Rayons non dimensionnés: R 0,5 mm à 0,7 mm

Rugosité de surface de la zone d'échançur: $R_a = 0,7 \mu m$

a Tous les fonds peuvent être réduits de 17,8 mm si un obturateur est utilisé

Pour les prises mobiles monophasées, les contacts L2 et L3 comprenant l'isolation environnante, peuvent être omis.

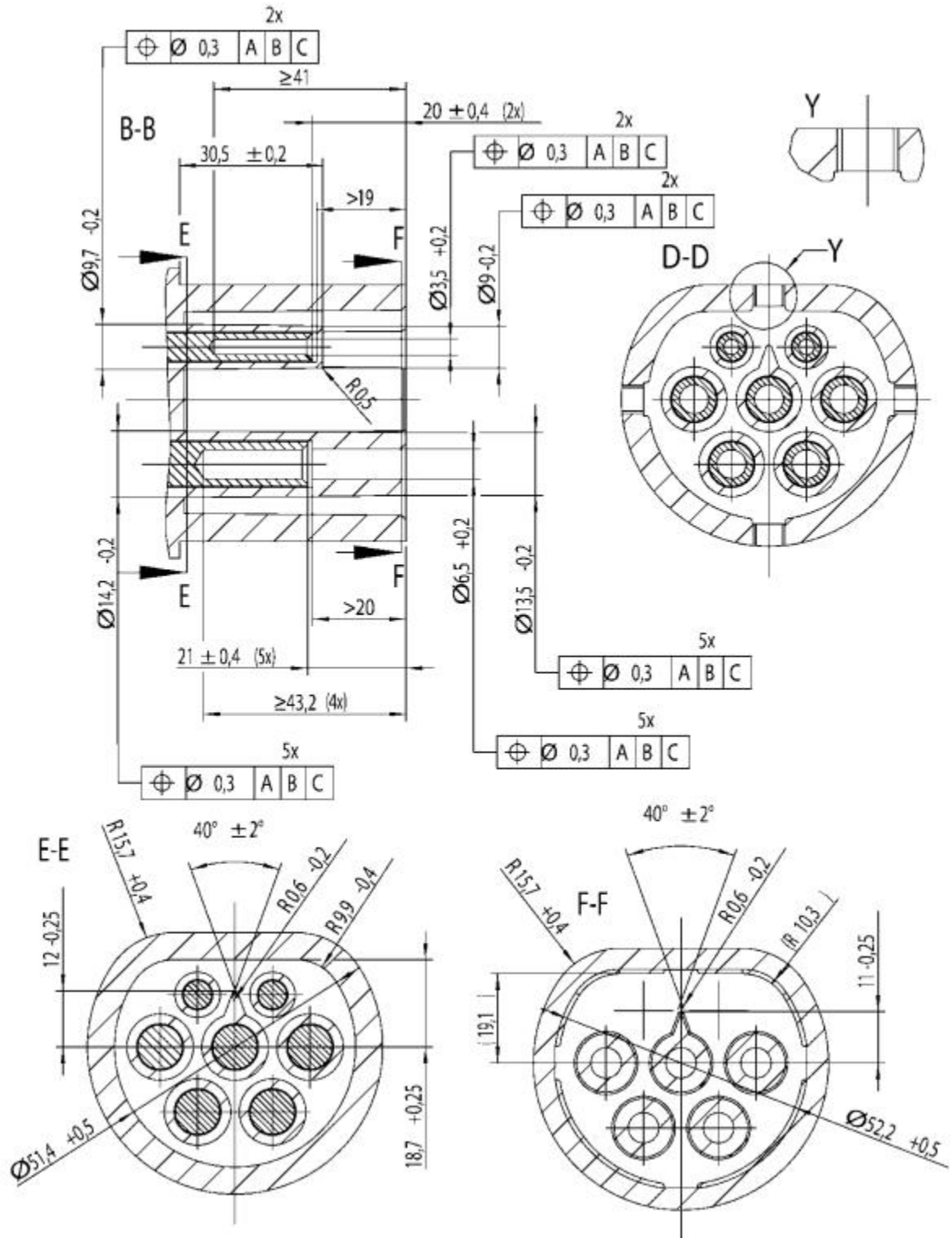
b Extrémité des alvéoles chanfreinées pour faciliter l'insertion

c Point de contact

d Zone d'échançur exempte d'embu, de coupe d'outil et d'éjecteur

FEUILLE DE NORME 2- IIc

Feuille 2 (suite de la Feuille 1)



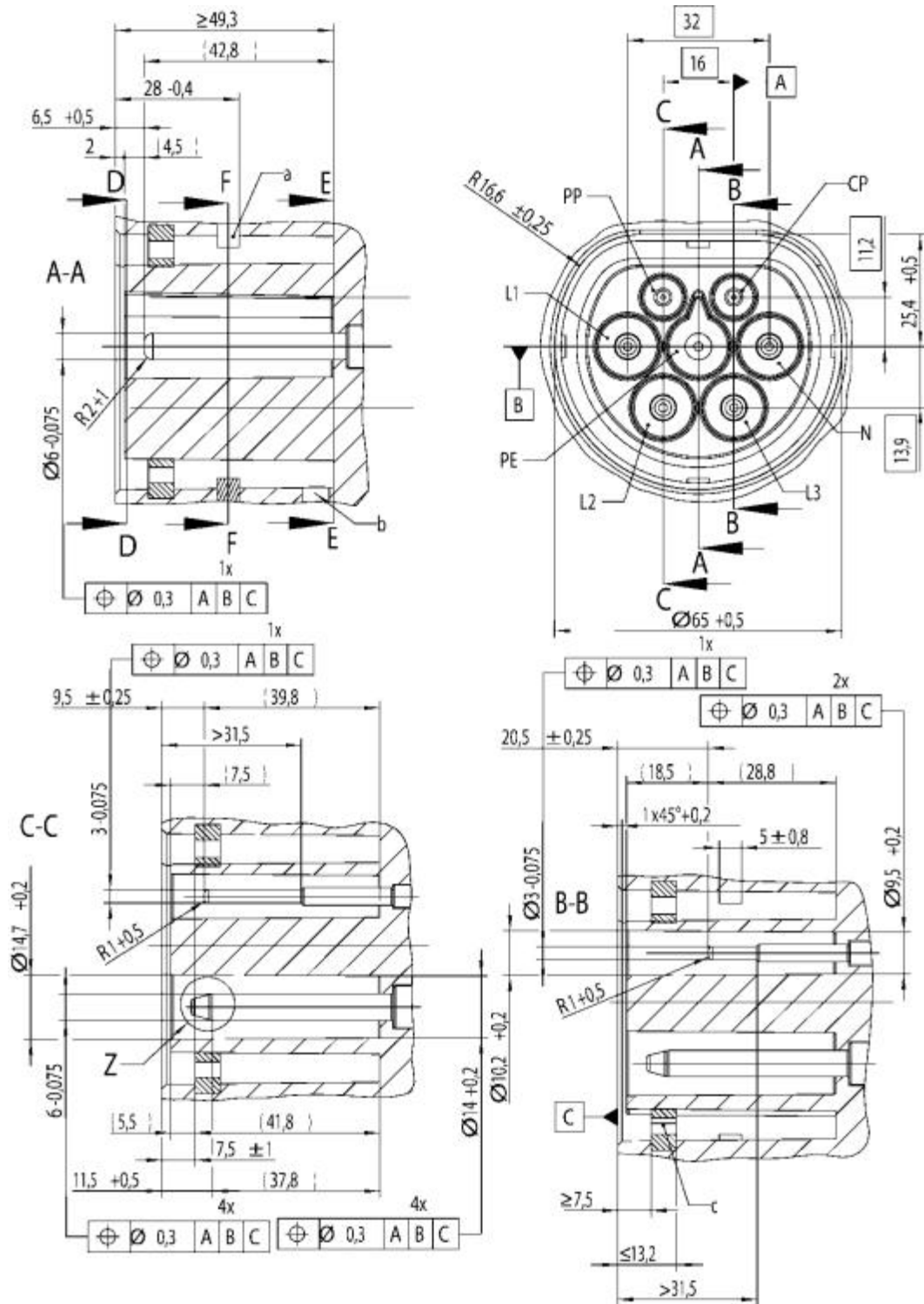
IEC

Rayons non dimensionnés: R 0,5 mm à 0,7 mm

FEUILLE DE NORME 2- IId

Feuille 1

SOCLE DE CONNECTEUR DE VÉHICULE
63 A, 480 V TRIPHASÉ OU 70 A, 250 V MONOPHASÉ



IEC

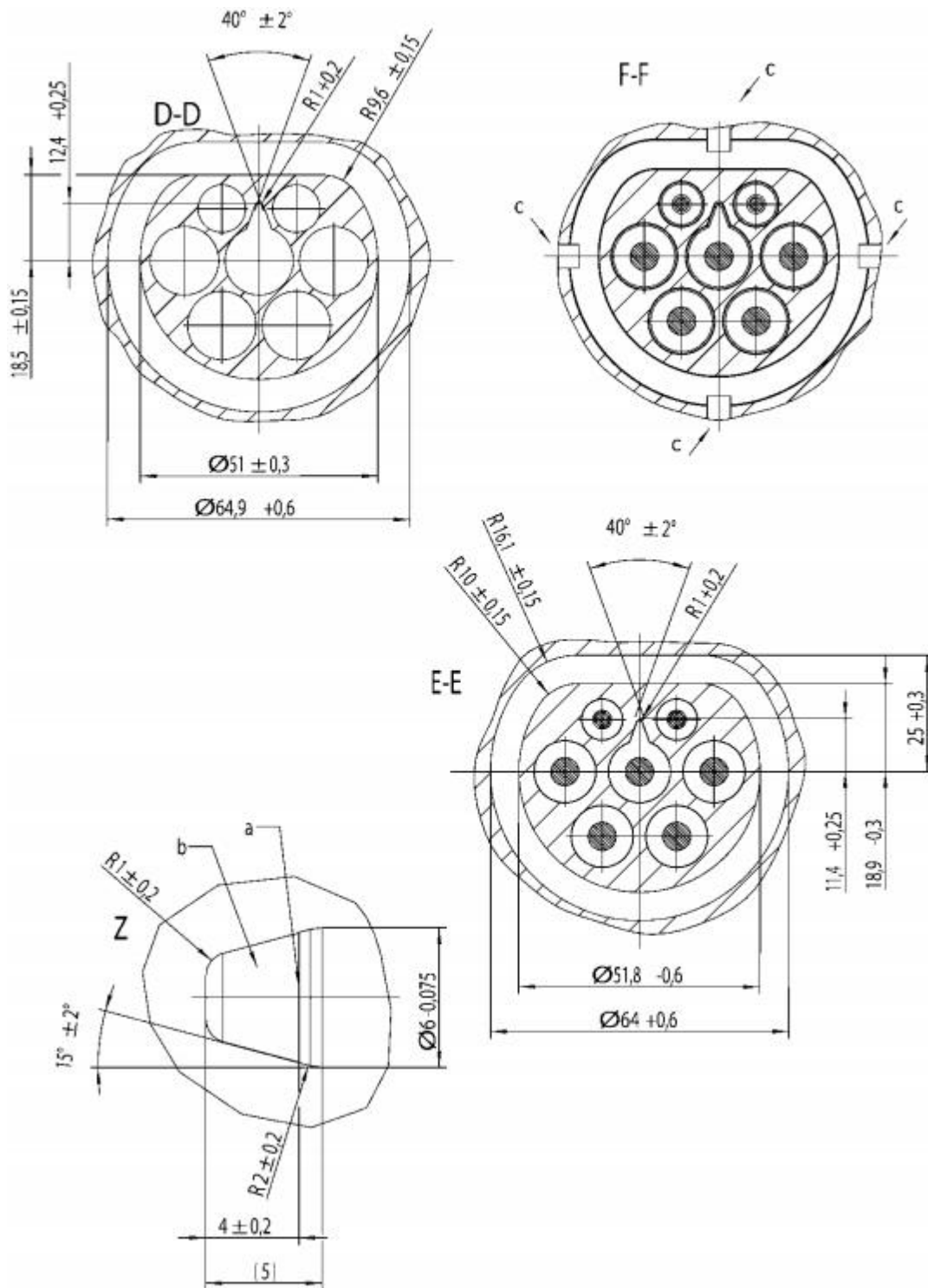
- a Dispositif de retenue - construction conforme à la décision du client
- b Trou de drainage en option
- c Zone d'étanchéité (étanchéité en option)

Rayons non dimensionnés: R 0,5 mm à 0,7 mm

Pour les socles de connecteur monophasés, les contacts L2 et L3 peuvent être omis.

FEUILLE DE NORME 2- IId

Feuille 2 (suite de la Feuille 1)



IEC

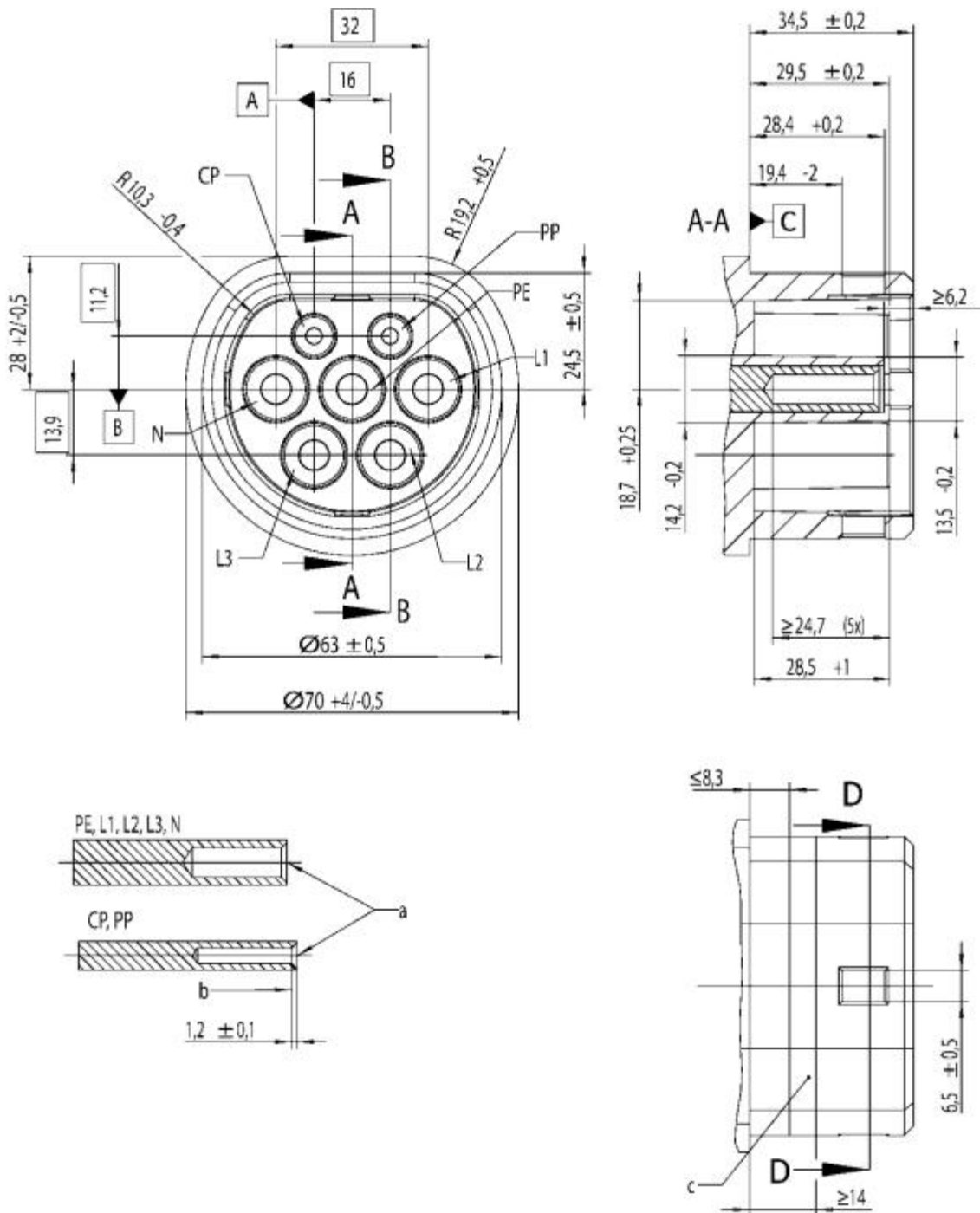
Rayons non dimensionnés: R 0,5 mm à 0,7 mm

- a Aucune arête vive acceptable au niveau de la région de transition
- b Embout isolé
- c Positions des dispositifs de retenue . Au moins un dispositif de retenue fourni .

FEUILLE DE NORME 2- IIe

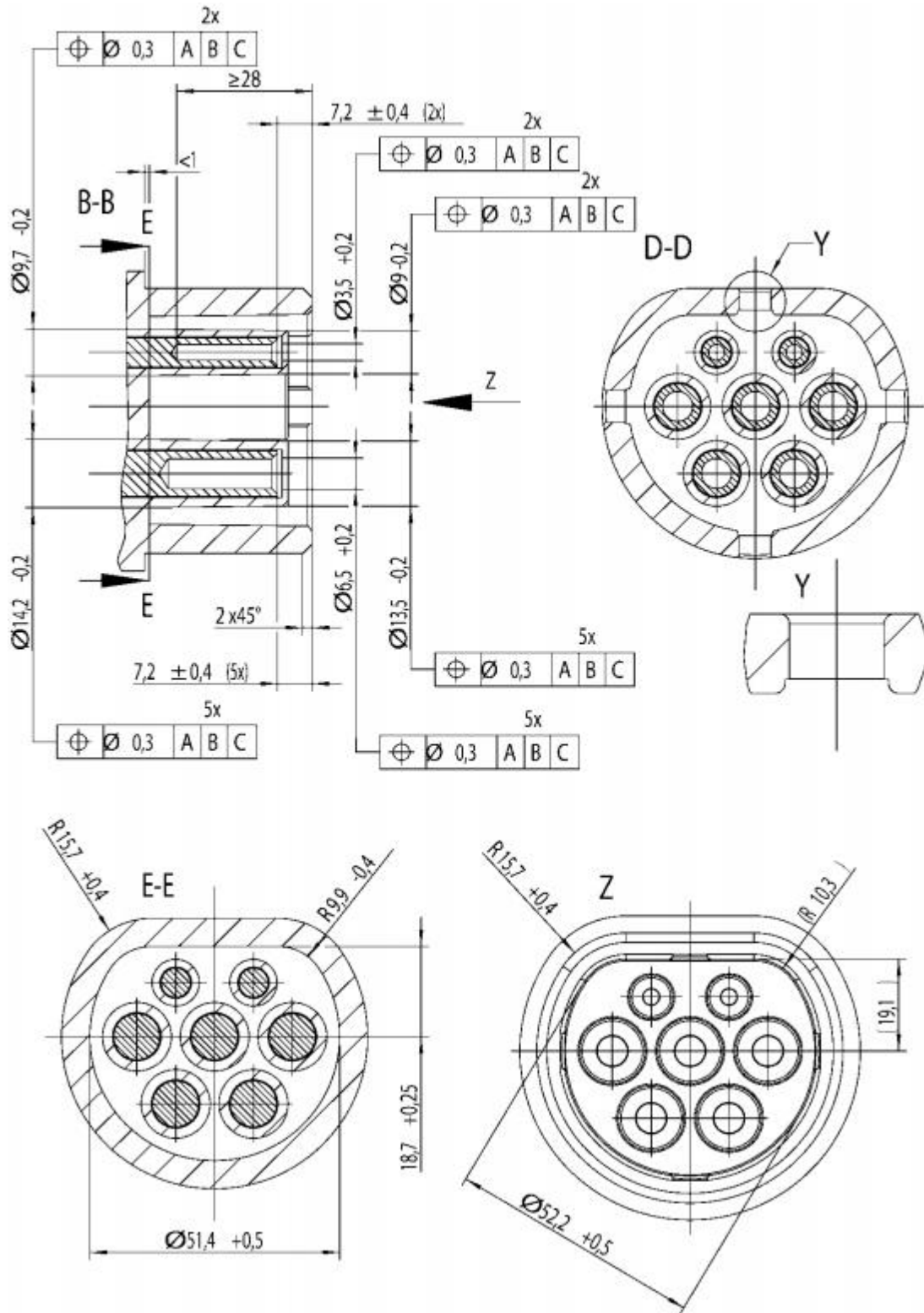
Feuille 1

PRISE MOBILE DE VÉHICULE
63 A, 480 V TRIPHASÉ OU 70 A, 250 V MONOPHASÉ



- Rayons non dimensionnés: R 0,5 mm à 0,7 mm
- a Extrémité des alvéoles chanfreinées pour faciliter l'insertion
 - b Point de contact
 - c Zone d'échantillonnage exempte d'embu, de coupe d'outil et d'éjecteur
- Rugosité de surface de la zone d'échantillonnage: $R_a = 0,7 \mu\text{m}$
- Pour les prises mobiles monophasées, les contacts L2 et L3 comprenant l'isolation environnante peuvent être omis.

FEUILLE DE NORME 2- IIE
Feuille 2 (suite de la Feuille 1)



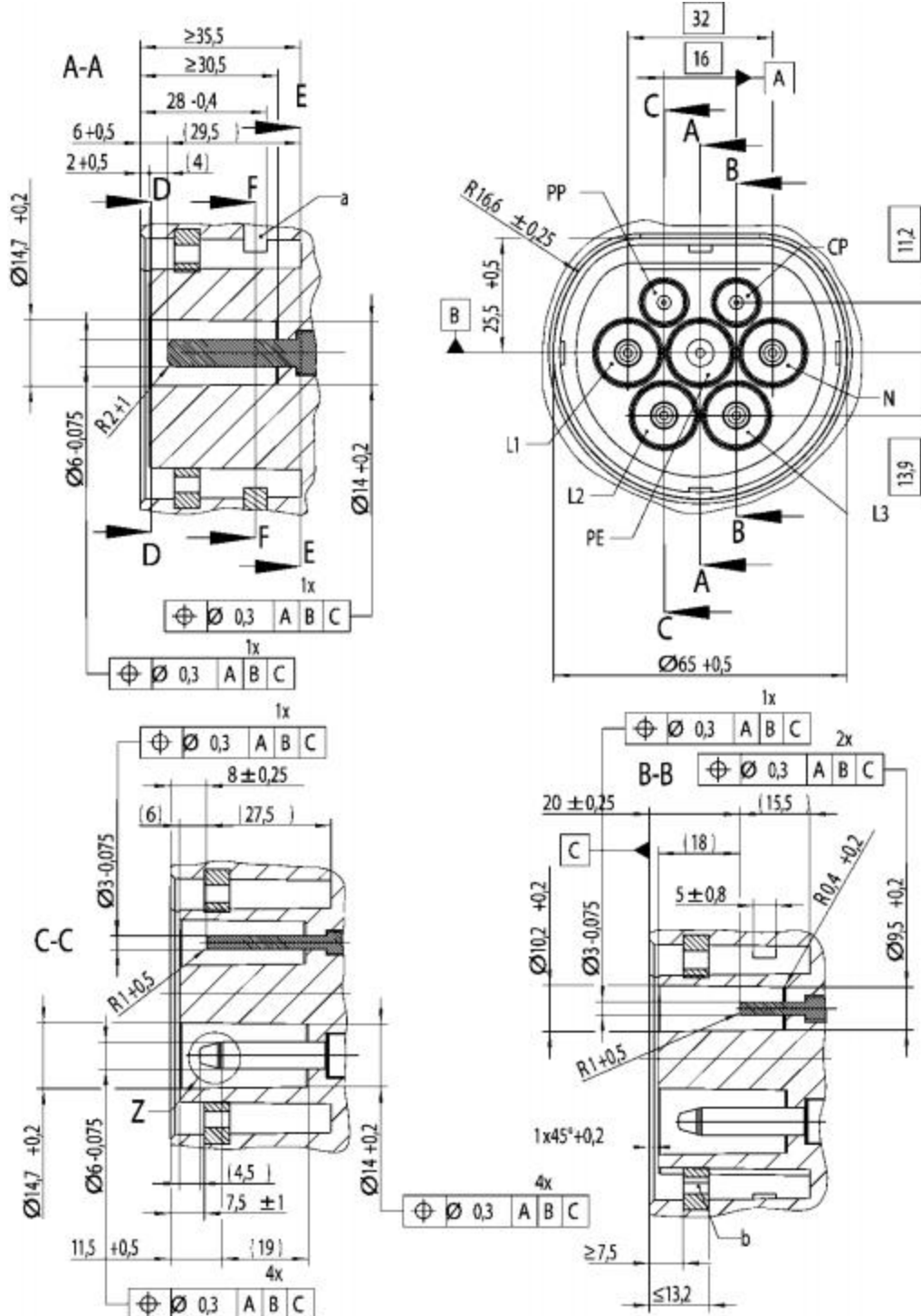
IEC

Rayons non dimensionnés: R 0,5 mm à 0,7 mm

FEUILLE DE NORME 2- Iif

Feuille 1

SOCLE DE CONNECTEUR DE VÉHICULE
63 A, 480 V TRIPHASÉ OU 70 A, 250 V MONOPHASÉ



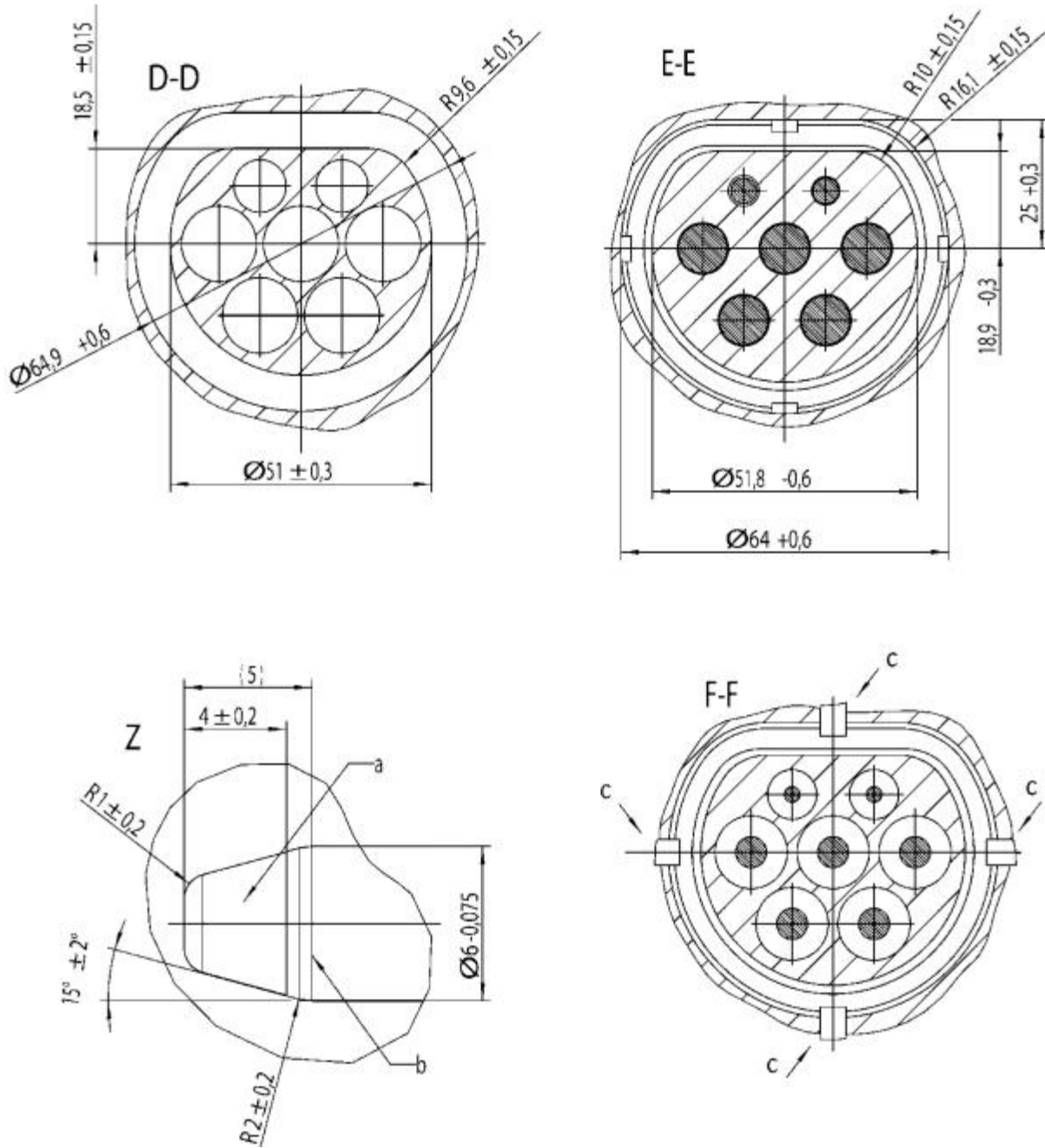
IEC

Rayons non dimensionnés: R 0,5 mm à 0,7 mm

- a Dispositif de retenue – construction conforme à la décision du client
- b Zone d'étanchéité (étanchéité en option)

Pour les socles de connecteur monophasés, les contacts L2 et L3 peuvent être omis.

FEUILLE DE NORME 2- Iif
Feuille 2 (suite de la Feuille 1)



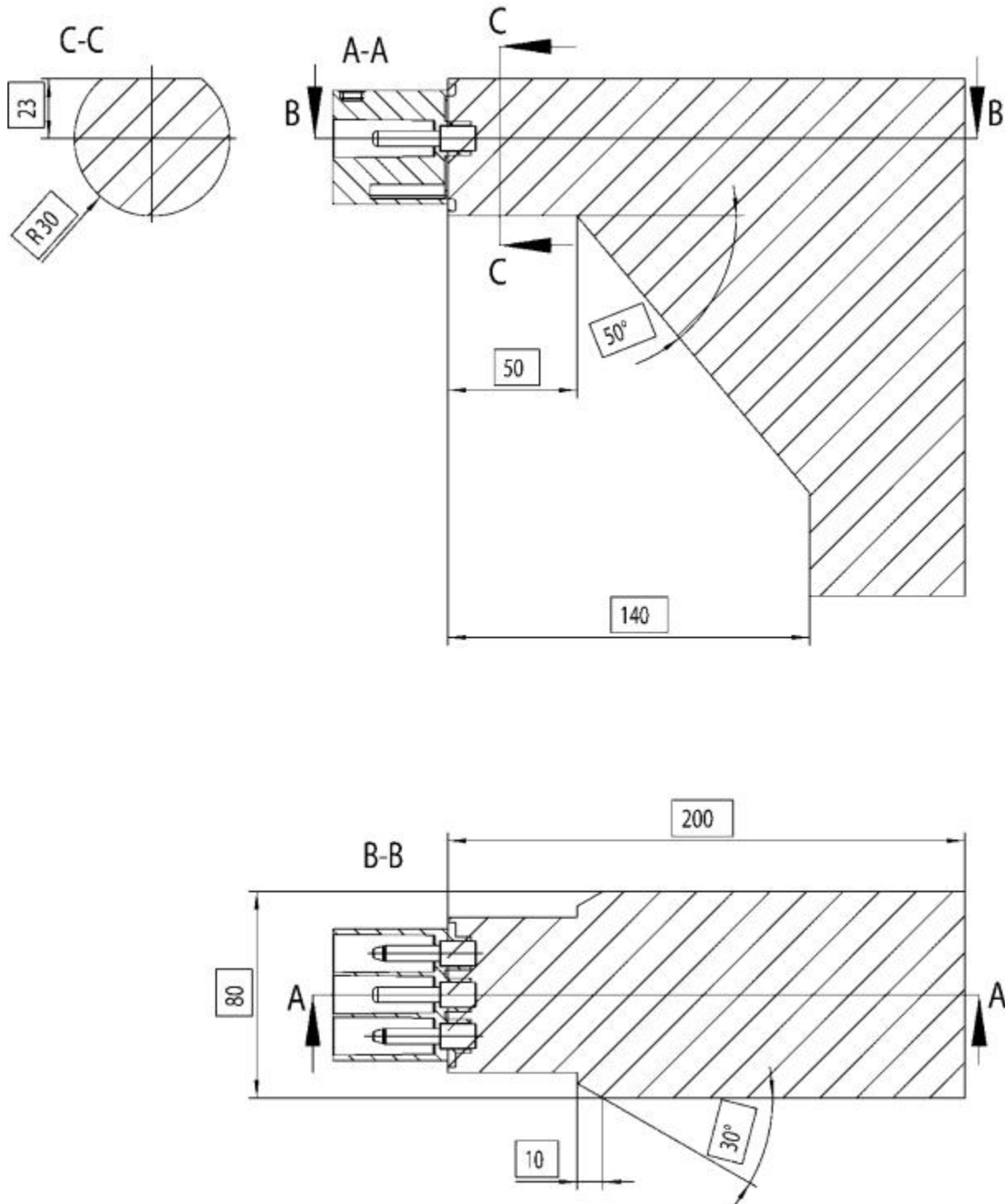
IEC

Rayons non dimensionnés: R 0,5 mm à 0,7 mm

- a Embout isolé
- b Aucune arête vive acceptable au niveau de la région de transition
- c Positions des dispositifs de retenue . Au moins un dispositif de retenue fourni .

FEUILLE DE NORME 2- IIg

FICHE
VOLUME ENVELOPPE

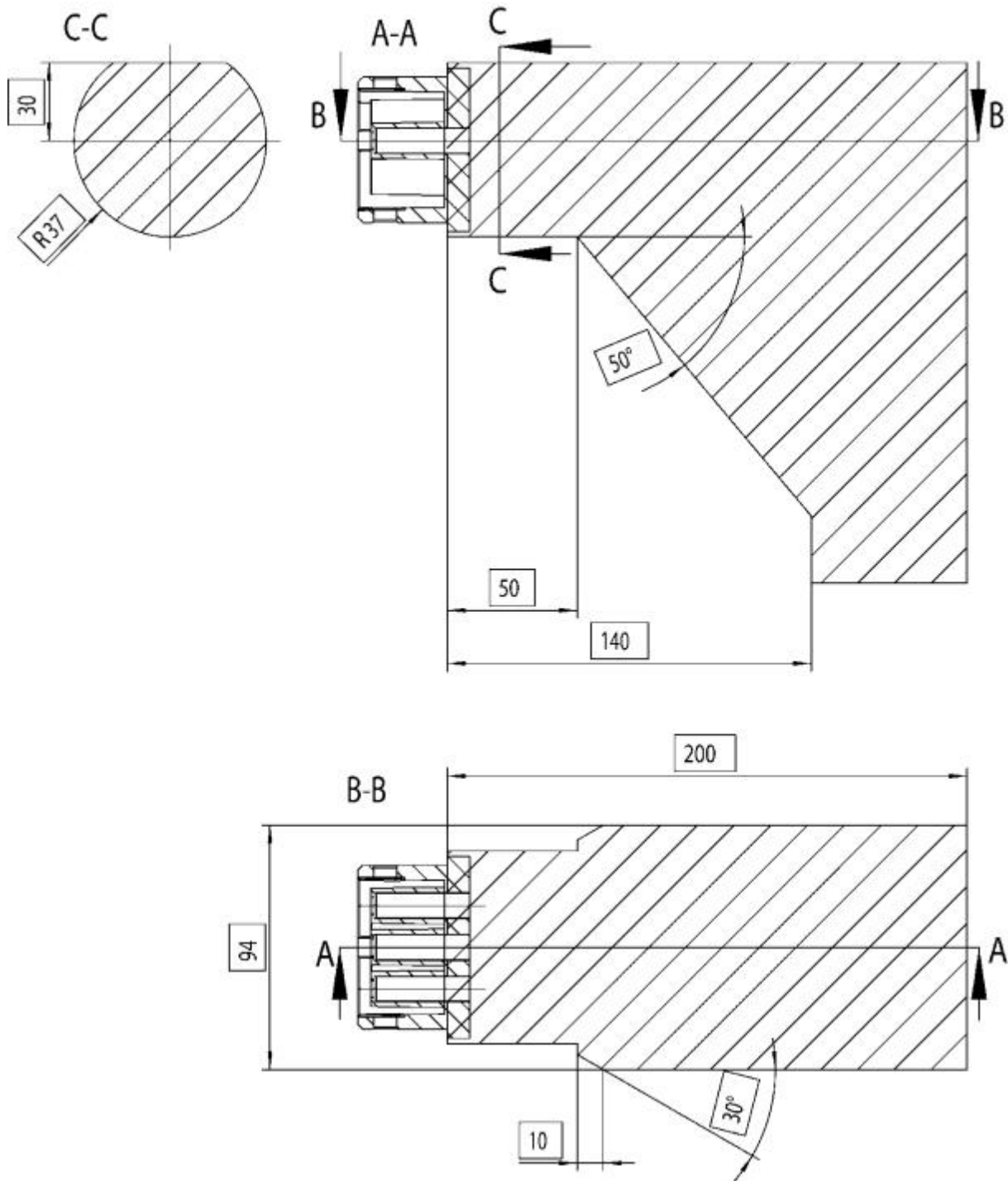


IEC

La forme du corps de la fiche doit se trouver dans la zone grisée .

FEUILLE DE NORME 2- Iih

PRISE MOBILE DE VÉHICULE
VOLUME ENVELOPPE



IEC

La forme du corps de la prise mobile de véhicule doit se trouver dans la zone grisée .

CONFIGURATION DE TYPE 3

FEUILLES DE NORME 2-III

APPAREILS 63 A, 480 V TRIPHASÉS, ET 16 A OU 32 A, 250 V MONOPHASÉS

Vue d'ensemble

Les feuilles de norme s'appliquent aux appareils de configuration de type 3: 63 A , 480 V c .a . triphasés et 250 V c .a . monophasés .

Pour la configuration de type 3 , les spécifications suivantes s'appliquent:

Le verrouillage des appareils est prévu et est destiné à être utilisé conformément aux exigences de l' IEC 61851- 1 :2010 .

Le verrouillage ou retenue des appareils de courant assigné 63 A est obligatoire .

NOTE 1 La fonction de verrouillage peut être réalisée, par exemple par un dispositif mécanique ou électromécanique .

Le dispositif de verrouillage doit offrir un retour permettant d'indiquer que le mécanisme est engagé correctement .

La fonction pilote est destinée à être utilisée conformément à l' IEC 61851- 1 :2010 , Annexe A .

Lorsque le contact PP est utilisé simultanément pour la détection de proximité et le codage du courant admissible du câble de charge , il est destiné à être utilisé selon l' IEC 61851- 1 :2010 Article B .5 « Circuit pour la détection de proximité simultanée et le codage de courant pour les prises mobiles et les fiches des véhicules» .

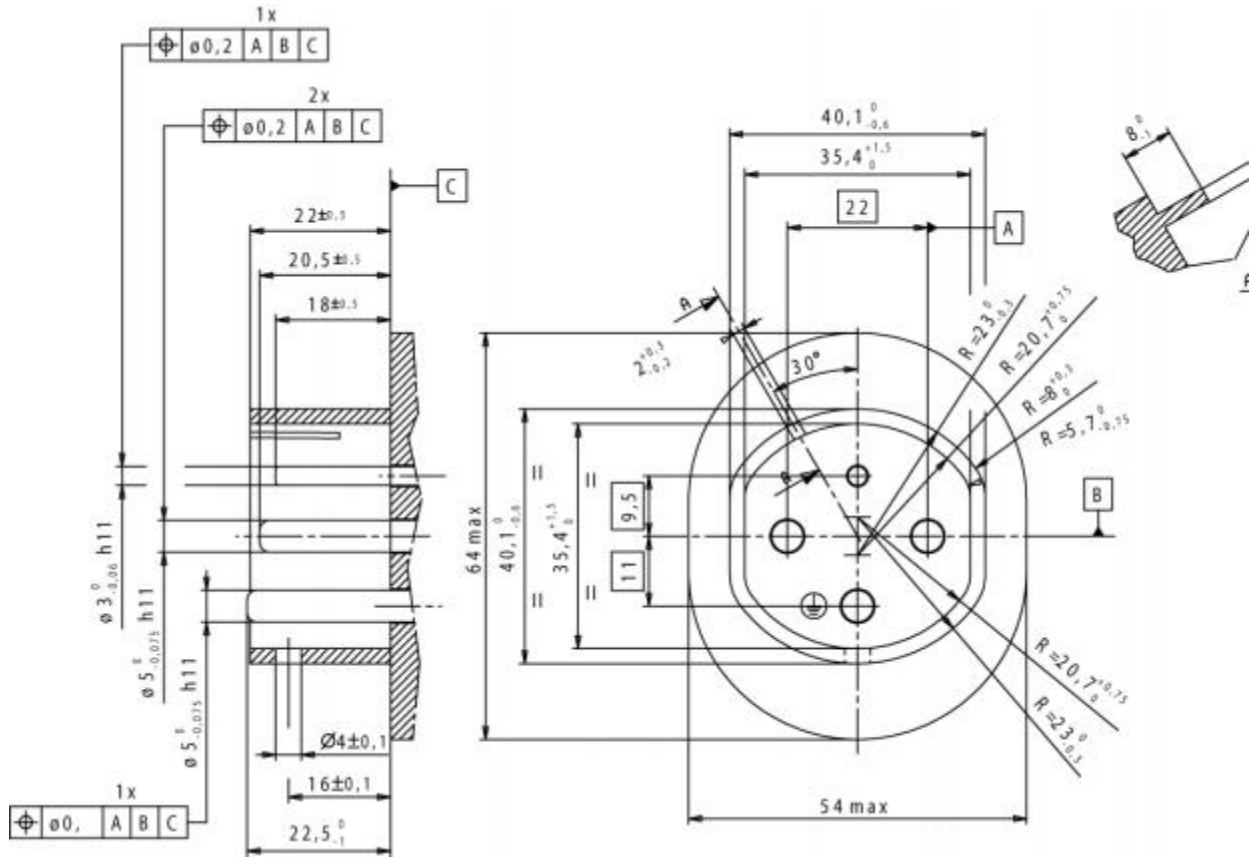
Les Feuilles de Norme 2 – III d concernent les dispositifs de retenue et des recommandations relatives aux volumes-enveloppe .

NOTE 2 L'inscription des fiches et des prises mobiles de véhicule dans les zones grisées et l'inscription de toute partie des socles de prise de courant/ socles de connecteur de véhicule à l'extérieur des zones grisées garantissent la compatibilité .

FEUILLES DE NORME 2-IIIa

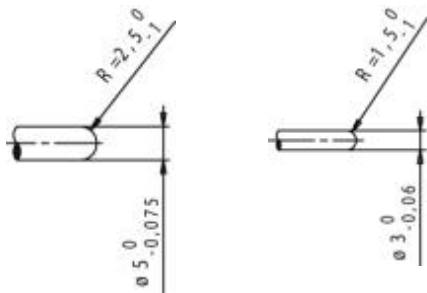
Feuille 1

FICHE 16 A, 250 V MONOPHASÉE AVEC 1 CONTACT PILOTE



IEC

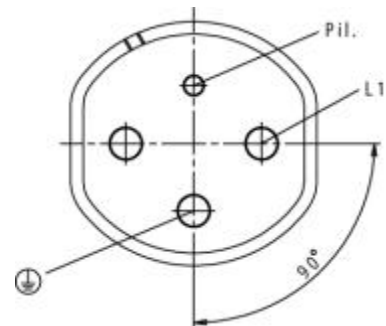
Extrémité des broches



Contacts de
Terre/ Phase/ Neutre

Contact pilote

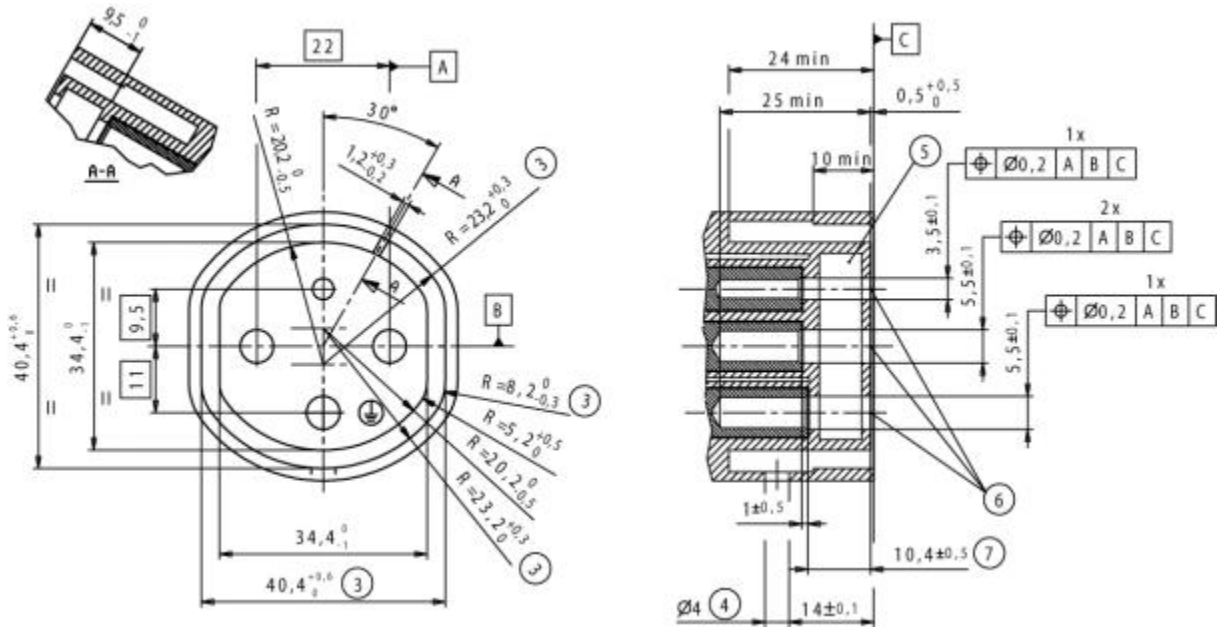
Disposition des broches



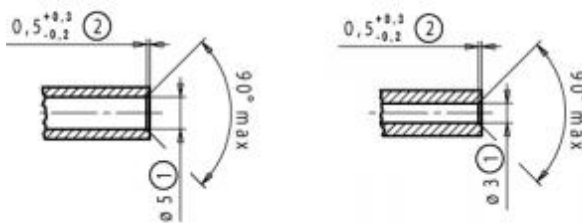
Vue de face des broches de la fiche

IEC

Dimensions en millimètres

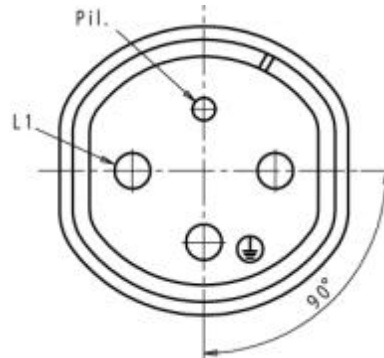
FEUILLE DE NORME 2- IIIa
Feuille 2 (suite de la Feuille 1)
SOCLE DE PRISE DE COURANT 16 A, 250 V MONOPHASÉ AVEC 1 CONTACT PILOTE


Les trous ou les renforcements dans la face avant, le cas échéant, autres que ceux des alvéoles, ne doivent pas avoir une profondeur supérieure à 10 mm.

Extrémité des alvéoles


Contacts de
Terre/ Phase/ Neutre

Contacts pilote

Disposition des alvéoles


Vue de face des alvéoles du socle de prise de contact

IEC

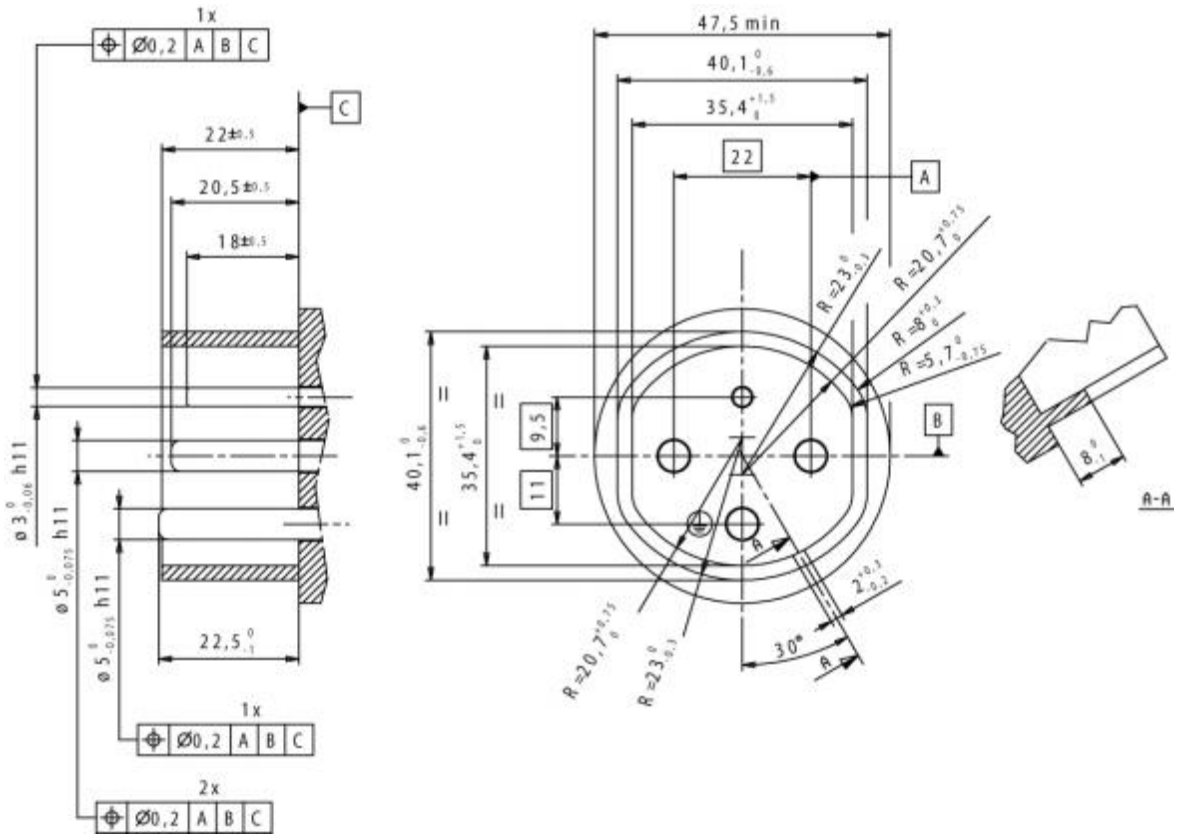
Dimensions en millimètres

- (1) Les dimensions concernent les broches; les alvéoles peuvent ne pas être cylindriques.
- (2) Le chanfrein des alvéoles peut être arrondi vers la surface intérieure du cylindre sur une portion de 1,5 fois les valeurs indiquées.
- (3) Les dimensions indiquées doivent être dans les limites spécifiées sur au moins 10 mm. Au-delà, elles peuvent être plus grandes, mais pas plus petites.
- (4) Cette ouverture peut être un trou de 4 mm de diamètre au moins ou une fente de 4 mm de large au moins.
- (5) Espace pour les obturateurs. Le cas échéant, ils sont obligatoires pour les alvéoles de phase et de neutre.
- (6) Les orifices d'entrée des broches doivent être arrondis ou chanfreinés.
- (7) Cette dimension est mesurée à partir de l'extrémité de l'alvéole.

FEUILLE DE NORME 2- IIIa

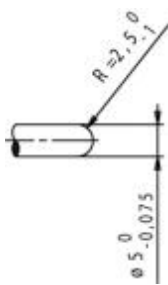
Fiche 3 (suite de la Fiche 2)

**SOCLE DE CONNECTEUR DE VÉHICULE 16 A, 250 V MONOPHASÉ
AVEC 1 CONTACT PILOTE**

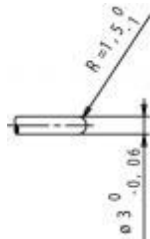


IEC

Extrémité des broches

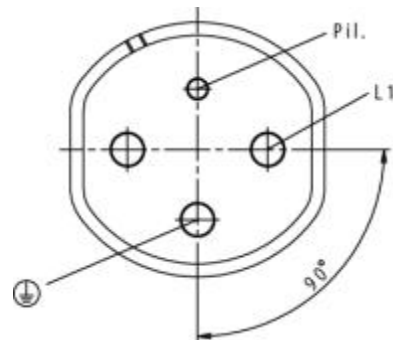


Contacts de
Terre/ Phase/ Neutre



Contacts auxiliaires

Disposition des broches



Vue de face des broches du socle de connecteur de véhicule

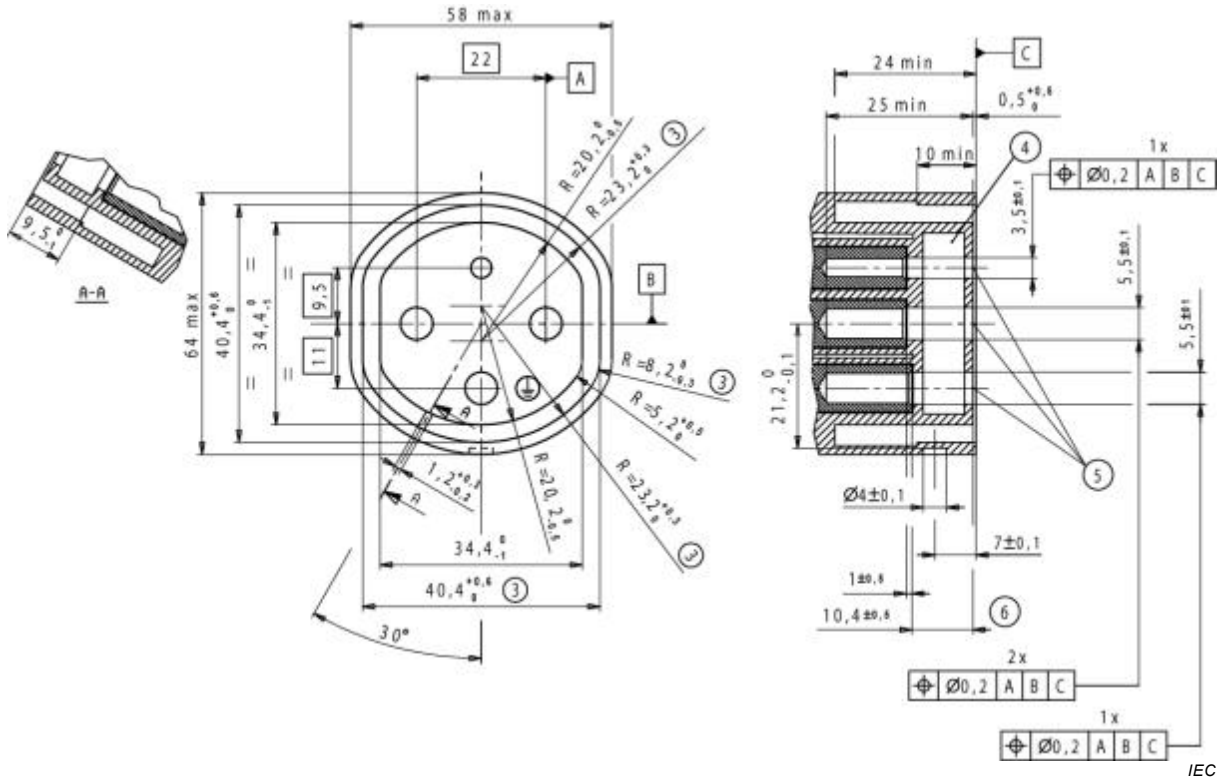
IEC

Dimensions en millimètres

FEUILLE DE NORME 2- IIIa

Fiche 4 (suite de la Fiche 3)

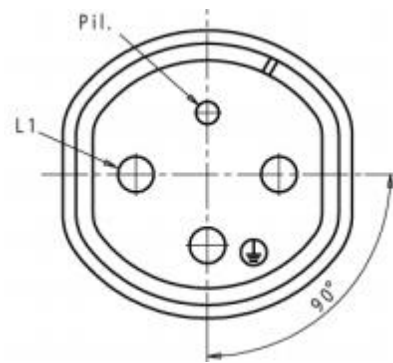
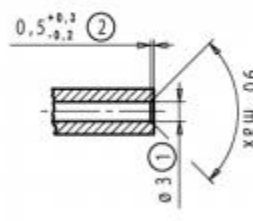
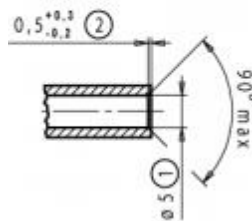
PRISE MOBILE DE VÉHICULE 16 A, 250 V MONOPHASÉE AVEC 1 CONTACT PILOTE



Les trous ou les renforcements dans la face avant, le cas échéant, autres que ceux des alvéoles, ne doivent pas avoir une profondeur supérieure à 10 mm.

Extrémité des alvéoles

Disposition des alvéoles



Contacts de Terre/ Phase/ Neutre

Contacts pilote

Vue de face des alvéoles de la prise mobile de véhicule

IEC

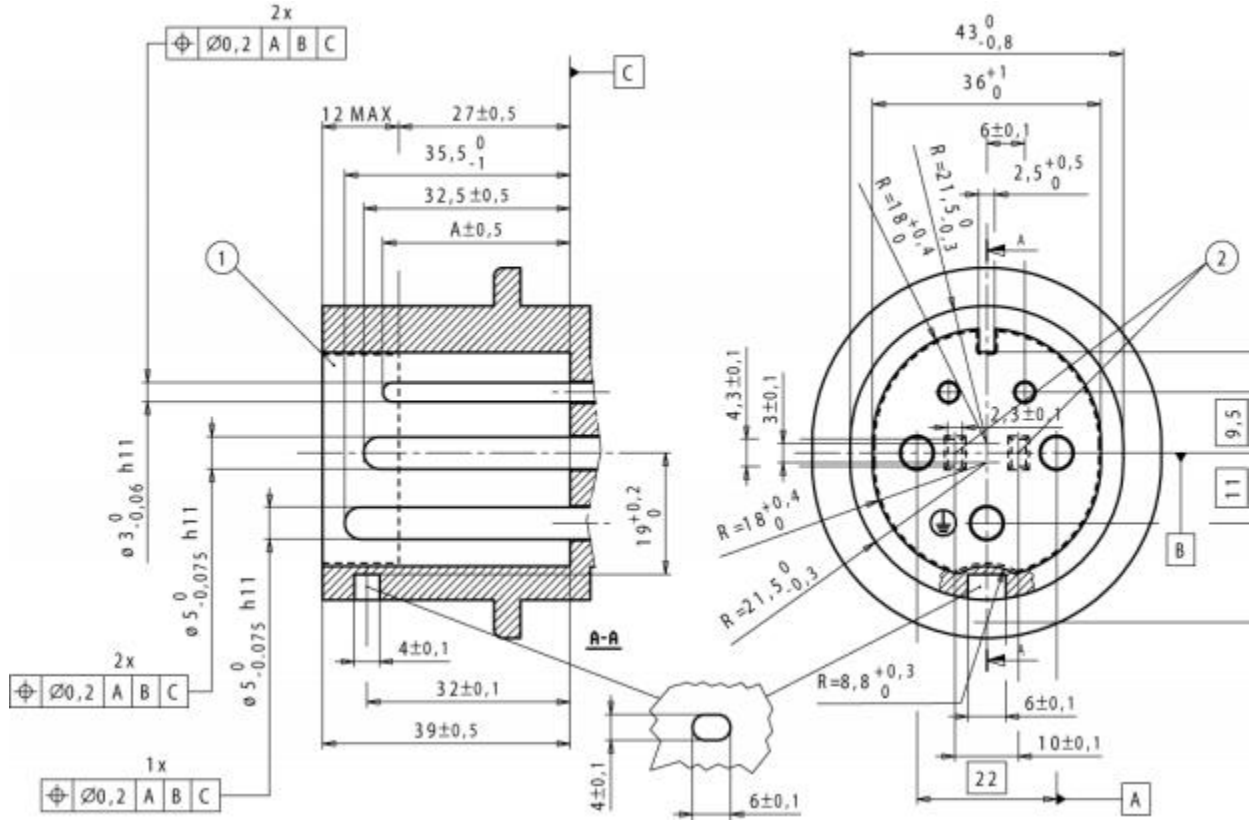
Dimensions en millimètres

- (1) Les dimensions concernent les broches; les alvéoles peuvent ne pas être cylindriques.
- (2) Le chanfrein des alvéoles peut être arrondi vers la surface intérieure du cylindre sur une portion de 1,5 fois les valeurs indiquées.
- (3) Les dimensions indiquées doivent être dans les limites spécifiées sur au moins 10 mm. Au-delà, elles peuvent être plus grandes, mais pas plus petites.
- (4) Cette ouverture peut être un trou de 4 mm de diamètre au moins ou une fente de 4 mm de large au moins.
- (5) Espace pour les obturateurs. Le cas échéant, ils sont obligatoires pour les alvéoles de phase et de neutre.
- (6) Les orifices d'entrée des broches doivent être arrondis ou chanfreinés.

FEUILLE DE NORME 2- IIIb

Fiche 1

FICHE 32 A, 250 V MONOPHASÉE AVEC 2 CONTACTS PILOTES

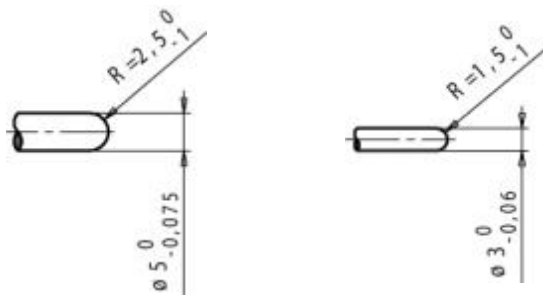


IEC

- (1) Espace pour les obturateurs . Le cas é ché ant, ils sont obligatoires pour les broches de contact de phase et de neutre .
- (2) Les orifices d'entr ée des broches d'obturateur doivent ê tre arrondis ou chanfreiné s .

Taille des contacts auxiliaires	
A	
CP	29,5
PP / CS	34,0

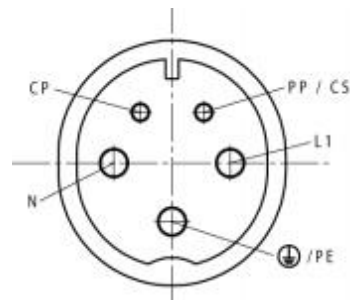
Extré mité des broches



Contacts de Terre/ Phase/ Neutre

Contacts auxiliaires

Disposition des broches



Vue de face des broches de la fiche

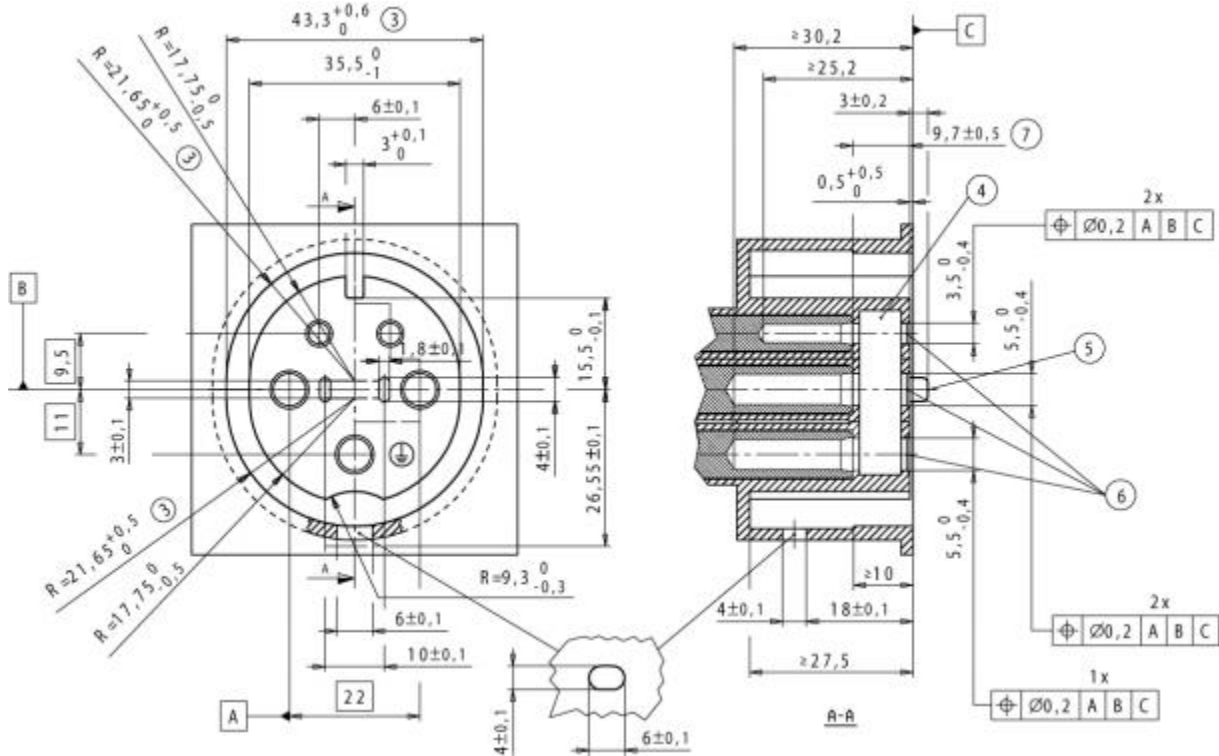
IEC

Dimensions en millimé tres

FEUILLE DE NORME 2- IIIb

Feuille 2 (suite de la Feuille 1)

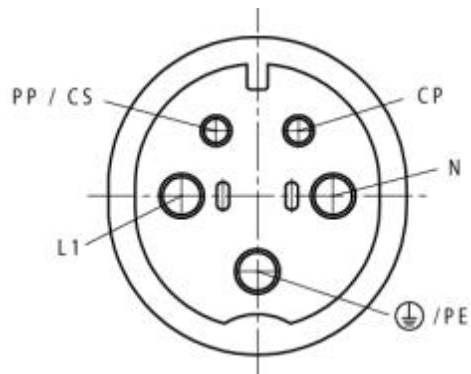
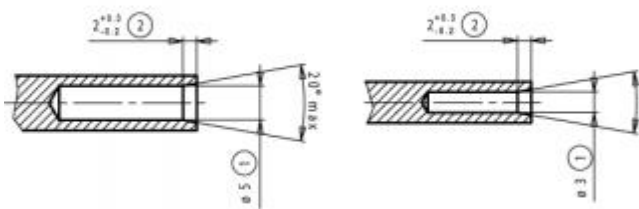
SOCLE DE PRISE DE COURANT 32 A, 250 V MONOPHASÉ AVEC 2 CONTACTS PILOTES



Les trous ou les renforcements dans la face avant, le cas échéant, autres que ceux des alvéoles, ne doivent pas avoir une profondeur supérieure à 10 mm. IEC

Extrémités des alvéoles

Disposition des alvéoles



Contacts de
Terre/ Phase/ Neutre

Contacts auxiliaires

Vue de face des alvéoles du socle de prise de courant

IEC

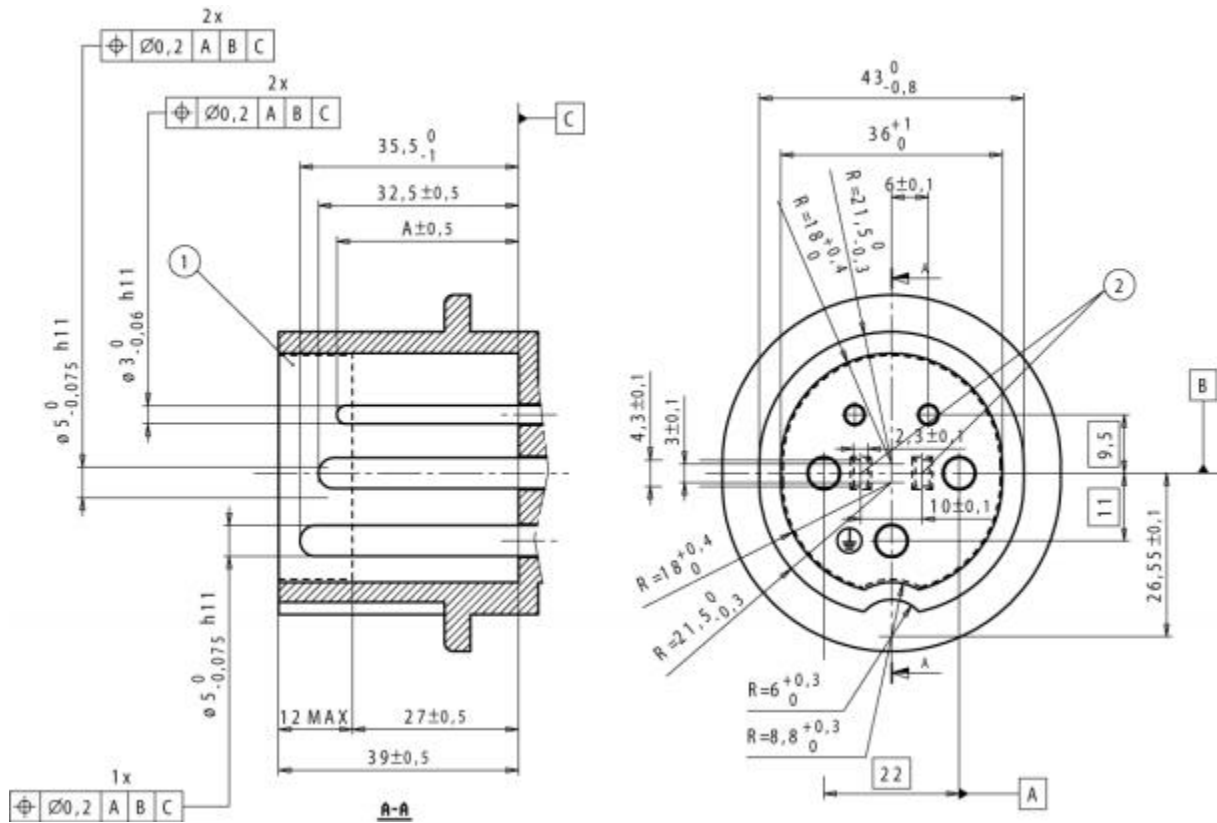
Dimensions en millimètres

- (1) Les dimensions concernent les broches; les alvéoles peuvent ne pas être cylindriques.
- (2) Le chanfrein des alvéoles peut être arrondi vers la surface intérieure du cylindre sur une portion de 1,5 fois les valeurs indiquées.
- (3) Les dimensions indiquées doivent être dans les limites spécifiées sur au moins 10 mm. Au-delà, elles peuvent être plus grandes, mais pas plus petites.
- (4) Cette ouverture peut être un trou de 4 mm de diamètre au moins ou une fente de 4 mm de large au moins.
- (5) Espace pour les obturateurs. Le cas échéant, ils sont obligatoires pour les alvéoles de phase et de neutre.
- (6) Les orifices d'entrée des broches doivent être arrondis ou chanfreinés.
- (7) Cette dimension est mesurée à partir de l'extrémité de l'alvéole.

FEUILLE DE NORME 2- IIIb

Feuille 3 (suite de la Feuille 2)

SOCLE DE CONNECTEUR DE VÉHICULE 32 A, 250 V MONOPHASÉ
AVEC 2 CONTACTS PILOTES

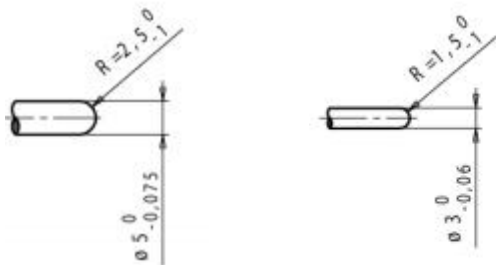


IEC

- (1) Espace pour les obturateurs . Le cas é ché ant, ils sont obligatoires pour les broches de contact de phase et de neutre .
- (2) Les orifices d'entrée des broches d'obturateur doivent être arrondis ou chanfreinés .

Taille des contacts auxiliaires	
A	
CP	29,5
PP / CS	34,0

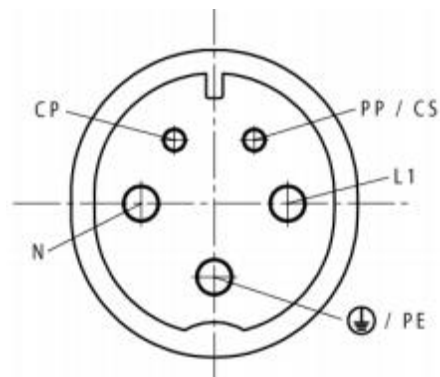
Extré mité des broches



Contacts de
Terre/ Phase/ Neutre

Contacts auxiliaires

Disposition des broches



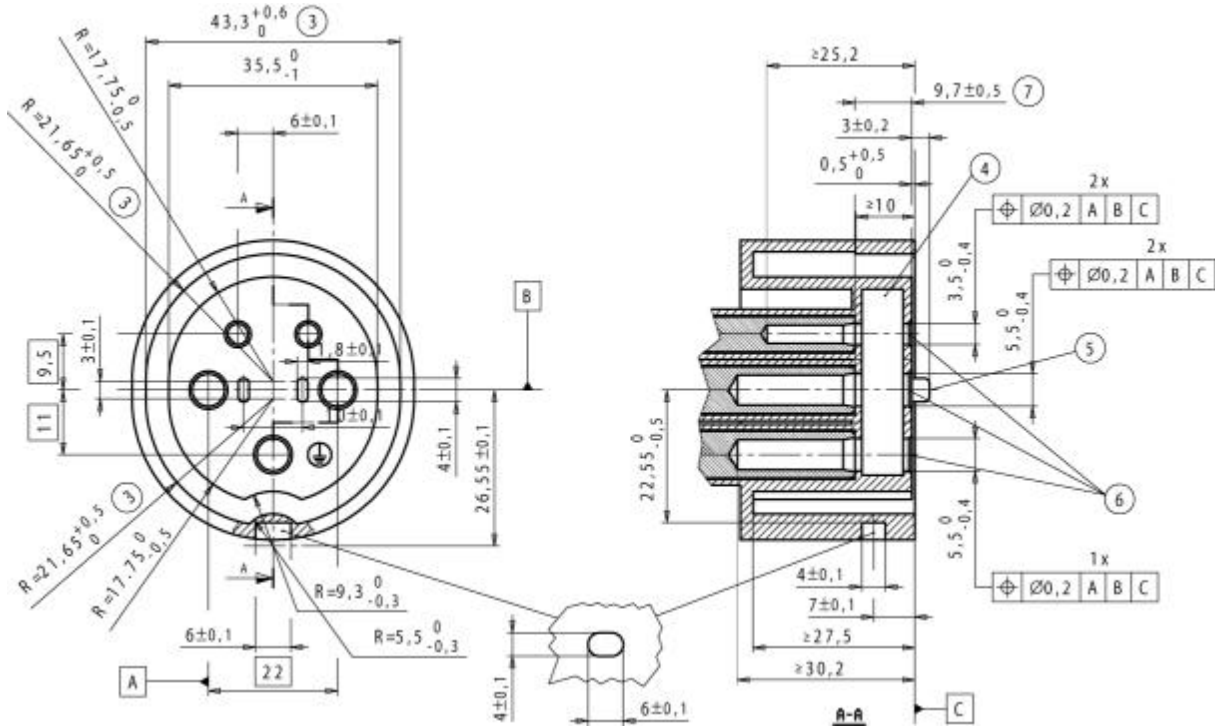
Vue de face des broches du socle de connecteur de véhicule

IEC

Dimensions en millimè tres

FEUILLE DE NORME 2- IIIb
Feuille 4 (suite de la Feuille 3)

PRISE MOBILE DE VÉHICULE 32 A, 250 V MONOPHASÉE AVEC 2 CONTACTS PILOTES

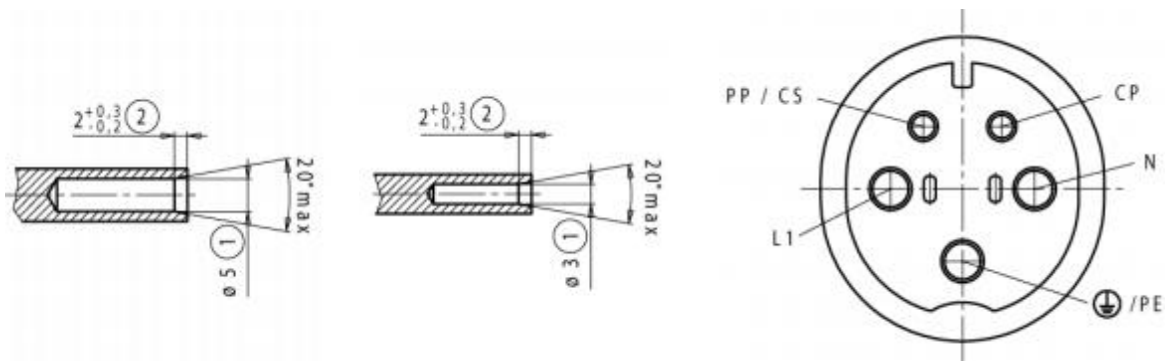


IEC

Les trous ou les renforcements dans la face avant, le cas é ché ant, autres que ceux des alvé oles, ne doivent pas avoir une profondeur supé rieure à 10 mm .

Extré mité des alvé oles

Disposition des alvé oles



Contacts de
Terre/ Phase/ Neutre

Contacts auxiliaires

Vue de face des alvé oles de la prise mobile
de vé hicule

IEC

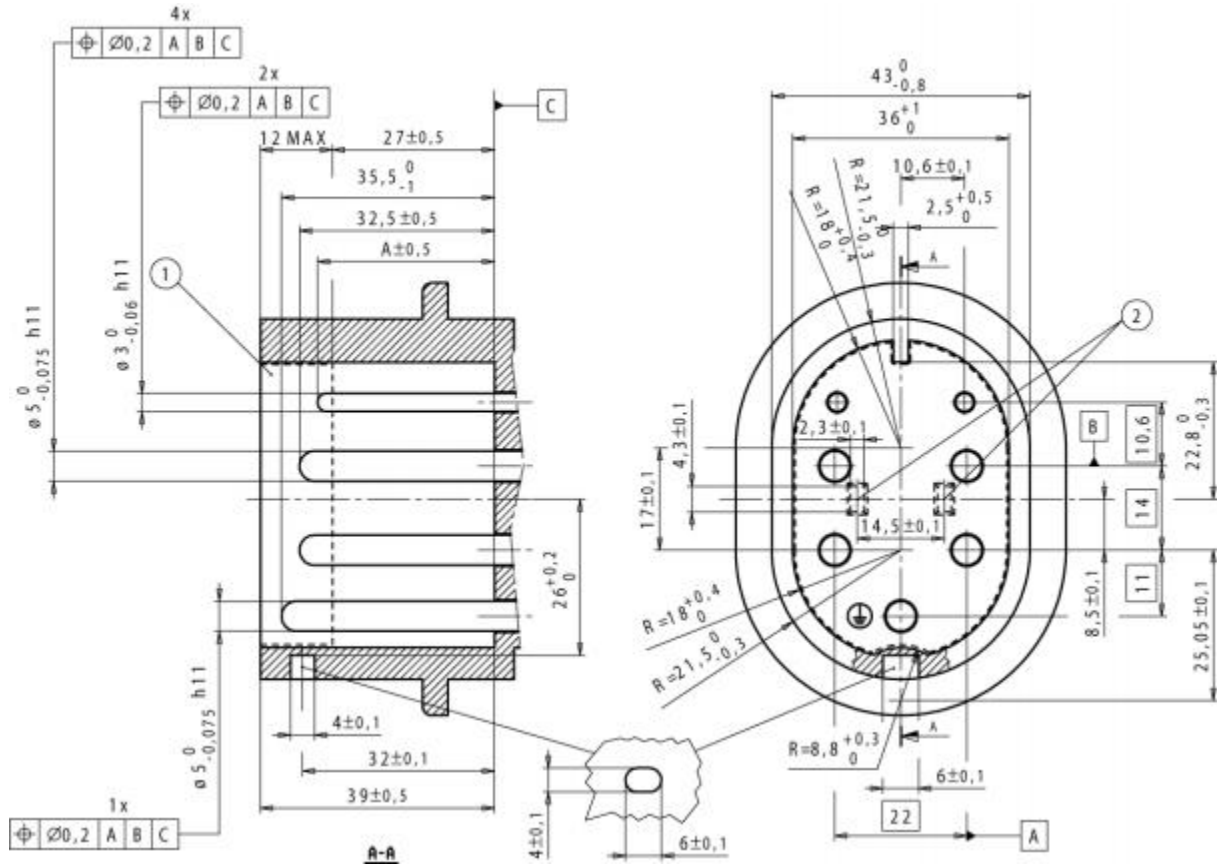
Dimensions en millimè tres

- (1) Les dimensions concernent les broches; les alvé oles peuvent ne pas ê tre cylindriques .
- (2) Le chanfrein des alvé oles peut ê tre arrondi vers la surface inté rieure du cylindre sur une portion de 1,5 fois les valeurs indiqué es .
- (3) Les dimensions indiqué es doivent ê tre dans les limites spé cifié es sur au moins 10 mm . Au-delà , elles peuvent ê tre plus grandes , mais pas plus petites .
- (4) Cette ouverture peut ê tre un trou de 4 mm de diamè tre au moins ou une fente de 4 mm de large au moins .
- (5) Espace pour les obturateurs . Le cas é ché ant, ils sont obligatoires pour les alvé oles de phase et de neutre .
- (6) Les orifices d'entré e des broches doivent ê tre arrondis ou chanfreiné s .
- (7) Cette dimension est mesuré e à partir de l'extré mité de l'alvé ole .

FEUILLE DE NORME 2- IIIc

Feuille 1

FICHE 63 A, 480 V TRIPHASÉE AVEC 2 CONTACTS PILOTES



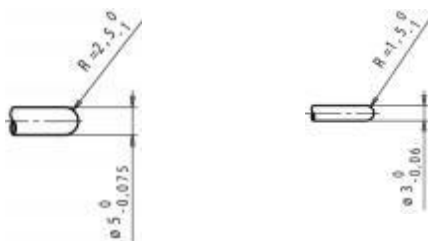
IEC

(1) Espace pour les obturateurs . Le cas échéant, ils sont obligatoires pour les broches de contact de phase et de neutre .

(2) Les orifices d'entrée des broches d'obturateur doivent être arrondis ou chanfreinés .

Taille des contacts auxiliaires	
	A
CP	29,5
PP / CS	34,0

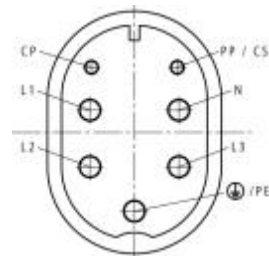
Extrémité des broches



Contacts de Terre/ Phase/ Neutre

Contacts auxiliaires

Disposition des broches



Vue de face des broches de la fiche

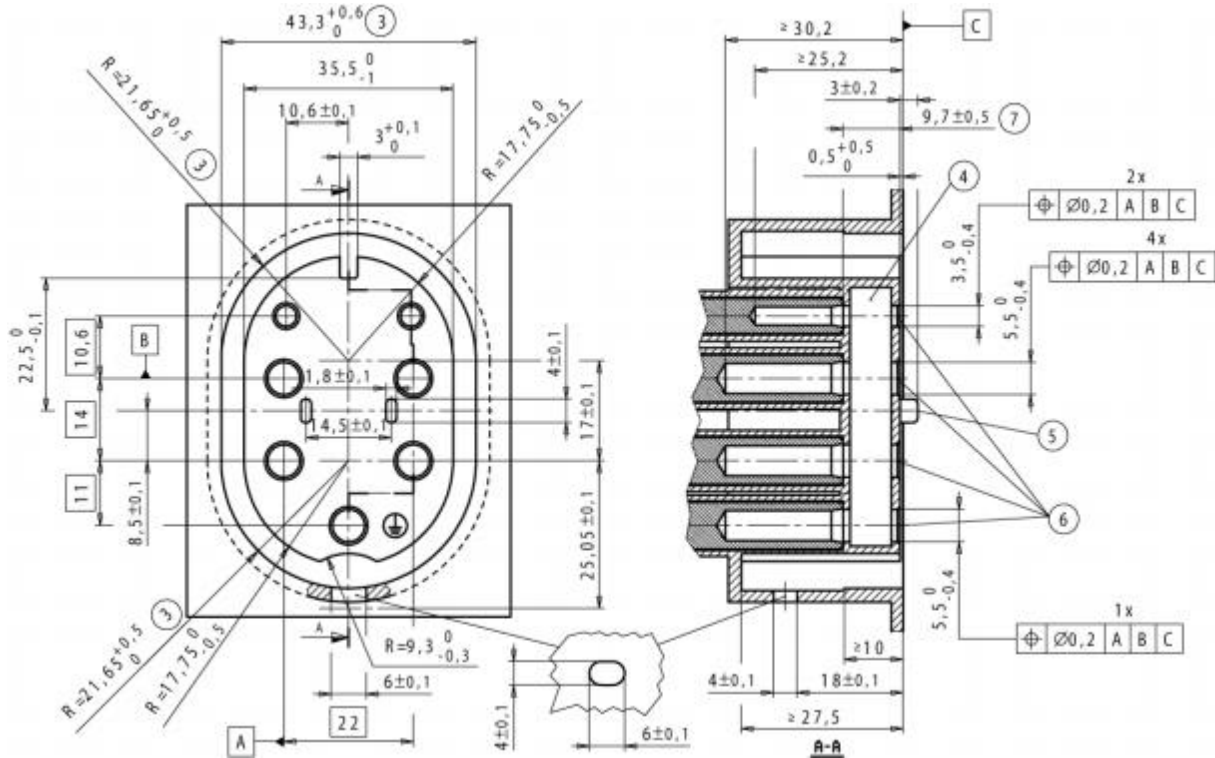
IEC

Dimensions en millimètres

FEUILLE DE NORME 2- IIIc

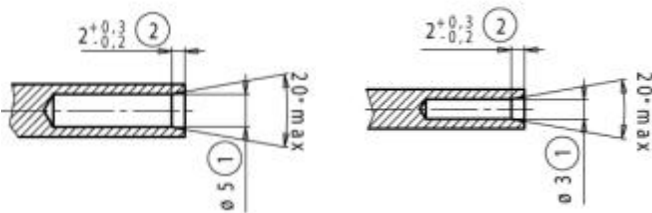
Feuille 2 (suite de la Feuille 1)

SOCLE DE PRISE DE COURANT 63 A, 480 V TRIPHASÉ AVEC 2 CONTACTS PILOTES



Les trous ou les renforcements dans la face avant, le cas échéant, autres que ceux des alvéoles, ne doivent pas avoir une profondeur supérieure à 10 mm. IEC pas

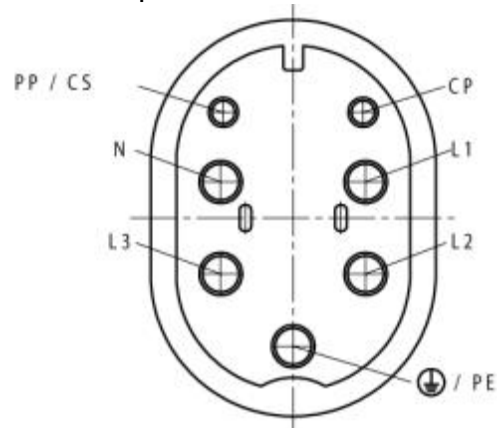
Extrémité des alvéoles



Contacts de Terre/ Phase/ Neutre

Contacts auxiliaires

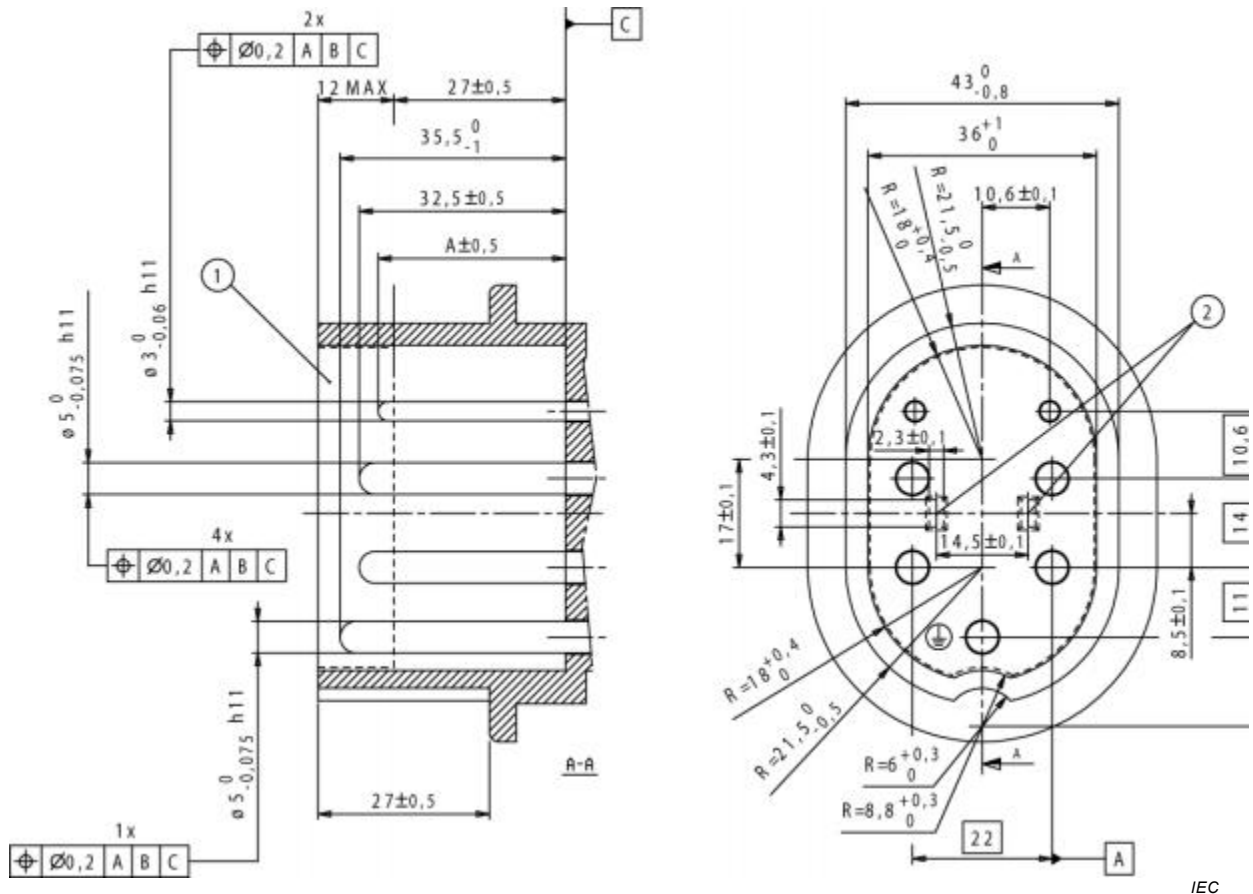
Disposition des alvéoles



Vue de face des alvéoles du socle de prise de courant

IEC
Dimensions en millimètres

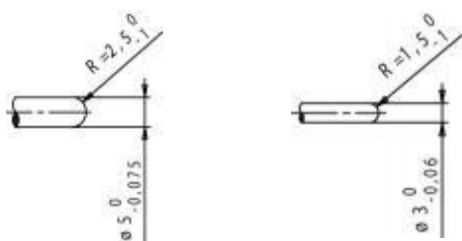
- (1) Les dimensions concernent les broches; les alvéoles peuvent ne pas être cylindriques.
- (2) Le chanfrein des alvéoles peut être arrondi vers la surface intérieure du cylindre sur une portion de 1,5 fois les valeurs indiquées.
- (3) Les dimensions indiquées doivent être dans les limites spécifiées sur au moins 10 mm. Au-delà, elles peuvent être plus grandes, mais pas plus petites.
- (4) Cette ouverture peut être un trou de 4 mm de diamètre au moins ou une fente de 4 mm de large au moins.
- (5) Espace pour les obturateurs. Le cas échéant, ils sont obligatoires pour les alvéoles de phase et de neutre.
- (6) Les orifices d'entrée des broches doivent être arrondis ou chanfreinés.
- (7) Cette dimension est mesurée à partir de l'extrémité de l'alvéole.

FEUILLE DE NORME 2- IIIc
Feuille 3 (suite de la Feuille 2)
**SOCLE DE CONNECTEUR DE VÉHICULE 63 A, 480 V TRIPHASÉ
 AVEC 2 CONTACTS PILOTES**


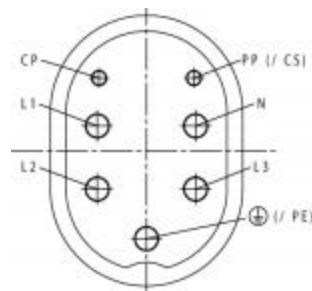
IEC

- (1) Espace pour les obturateurs . Le cas é ché ant, ils sont obligatoires pour les broches de contact de phase et de neutre .
- (2) Les orifices d'entr e des broches d'obturateur doivent ê tre arrondis ou chanfreinés .

Taille des contacts auxiliaires	
A	
CP	29,5
PP / CS	34,0

Extré mité des broches

 Contacts de
 Terre/ Phase/ Neutre

Contacts auxiliaires

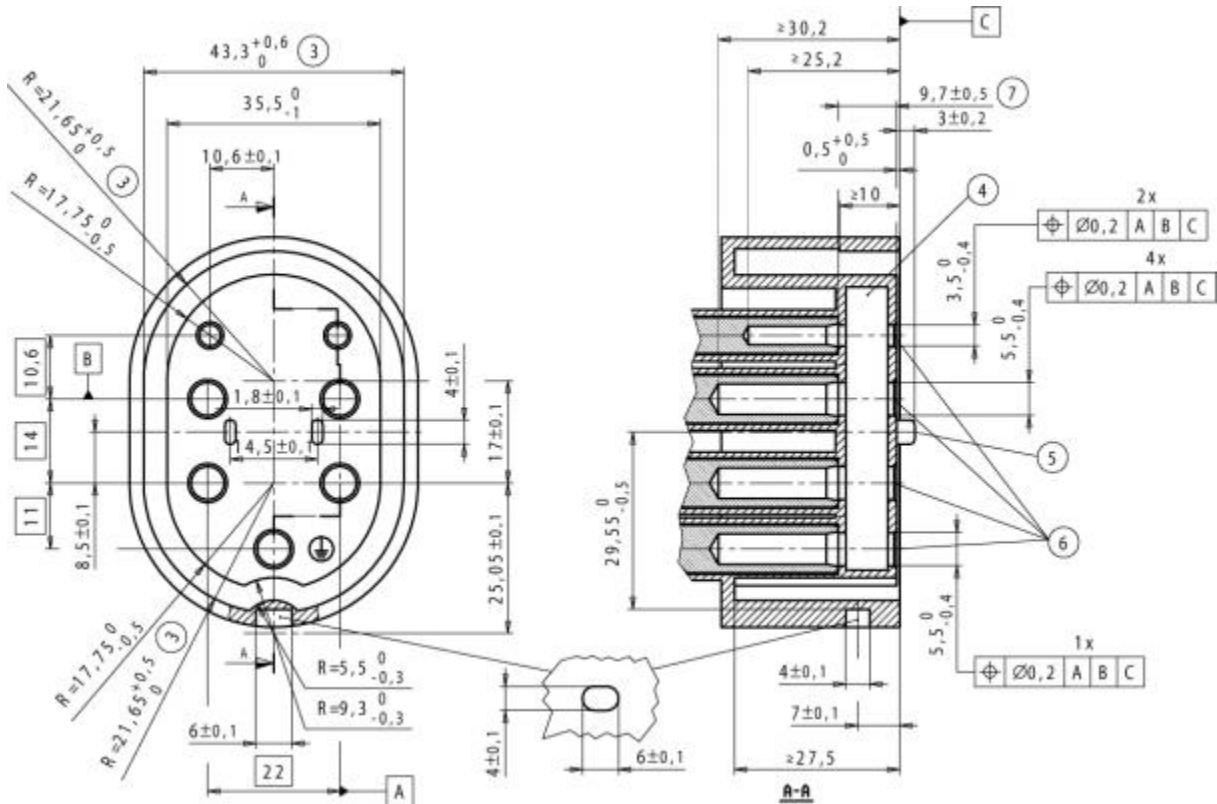
Disposition des broches

 Vue de face des broches du socle de connecteur de
 vé hicule

IEC

Dimensions en millim è tres

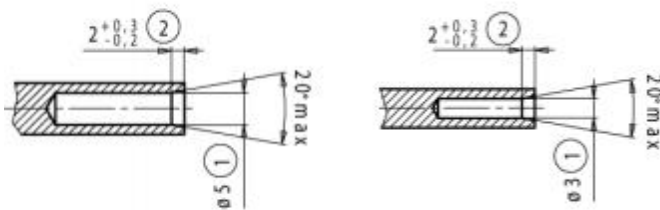
FEUILLE DE NORME 2- IIIc
Feuille 4 (suite de la Feuille 3)

PRISE MOBILE DE VÉHICULE 63 A, 480 V TRIPHASÉE AVEC 2 CONTACTS PILOTES



Les trous ou les renforcements dans la face avant, le cas é ché ant, autres que ceux des alvé oles, ne doivent pas avoir une profondeur sup é rieure à 10 mm .

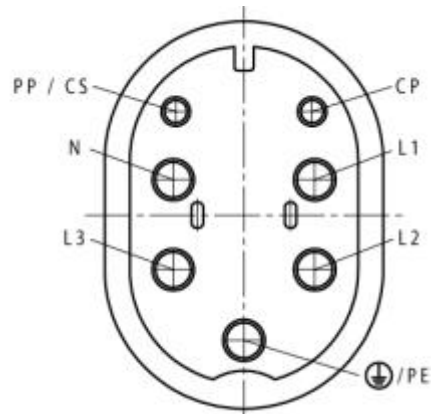
Extrémité des alvé oles



Contacts de
Terre/ Phase/ Neutre

Contacts auxiliaires

Disposition des alvé oles



Vue de face des alvé oles de la prise mobile
de vé hicule

IEC
Dimensions en millimè tres

- (1) Les dimensions concernent les broches; les alvé oles peuvent ne pas ê tre cylindriques .
- (2) Le chanfrein des alvé oles peut ê tre arrondi vers la surface int é rieure du cylindre sur une portion de 1,5 fois les valeurs indiqu é es .
- (3) Les dimensions indiqu é es doivent ê tre dans les limites sp é cif é es sur au moins 10 mm . Au-delà , elles peuvent ê tre plus grandes , mais pas plus petites .
- (4) Cette ouverture peut ê tre un trou de 4 mm de diam è tre au moins ou une fente de 4 mm de large au moins
- (5) Espace pour les obturateurs . Le cas é ché ant, ils sont obligatoires pour les alvé oles de phase et de neutre .
- (6) Les orifices d'entr é e des broches doivent ê tre arrondis ou chanfrein é s .
- (7) Cette dimension est mesur é e à partir de l'extrémit é de l'alvé ole .

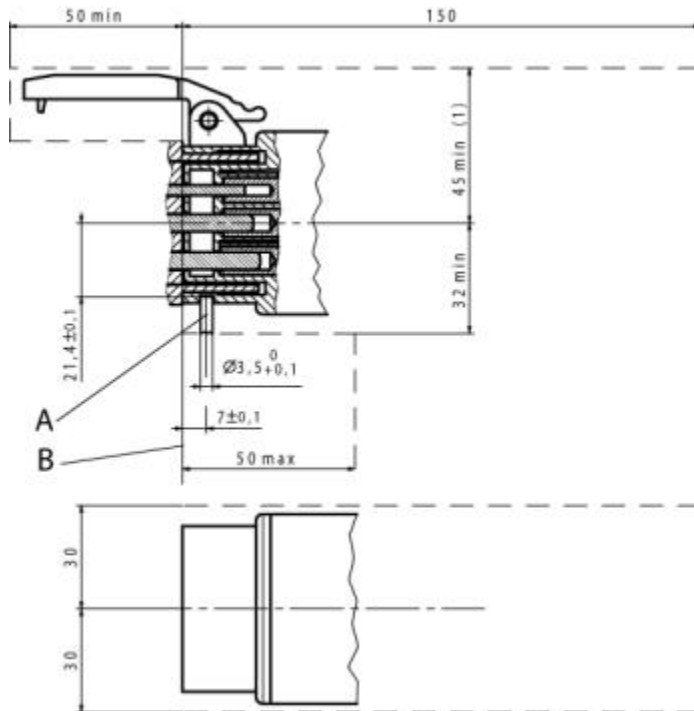
FEUILLE DE NORME 2- III d

Feuille 1

**CONNECTEUR DE VÉHICULE 16 A, 250 V MONOPHASÉ
(PRISE MOBILE DE VÉHICULE + SOCLE DE CONNECTEUR DE VÉHICULE)**

**DISPOSITIF DE RETENUE ET VOLUME ENVELOPPE
(FEUILLE DE NORME 2- III a)**

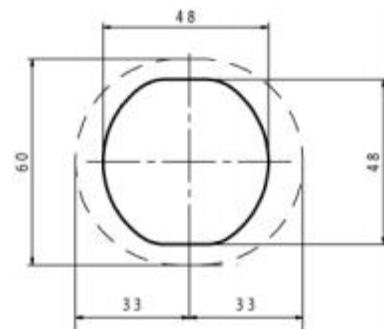
VUE LATÉRALE



VUE DE DESSUS

(1) Espace minimal exigé pour le mouvement du couvercle à charnière.

La forme du corps de la prise mobile de véhicule doit se trouver à l'intérieur de la ligne pointillée.



VUE DE FACE

IEC

Dimensions en millimètres

A: Dispositif de retenue

B: Surface du véhicule

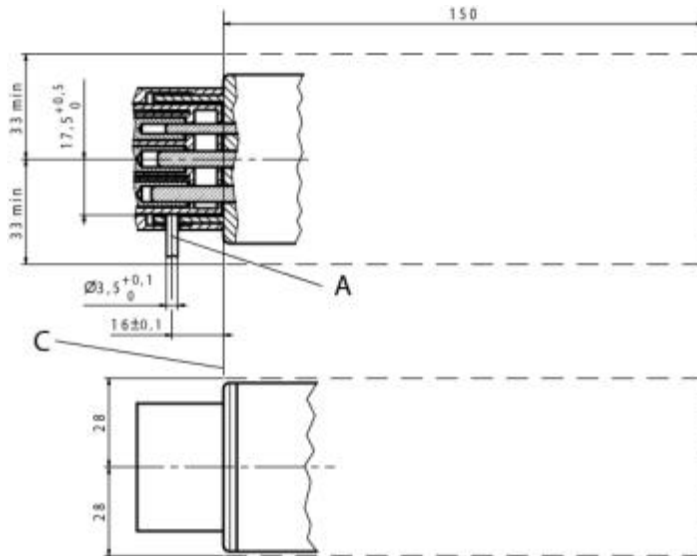
FEUILLE DE NORME 2- III d

Feuille 2 (suite de la Feuille 1)

SOCLE DE PRISE DE COURANT ET FICHE 16 A, 250 V MONOPHASÉS

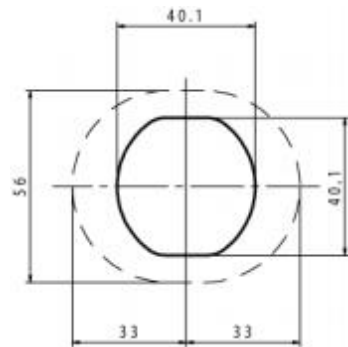
**DISPOSITIF DE RETENUE ET VOLUME ENVELOPPE
(FEUILLE DE NORME 2- IIIa)**

VUE LATÉRALE



VUE DE DESSUS

La forme du corps de la fiche doit se trouver à l'intérieur de la ligne pointillée.



VUE DE FACE

IEC

Dimensions en millimètres

- A: Dispositif de retenue
- C: Surface du socle de prise de courant

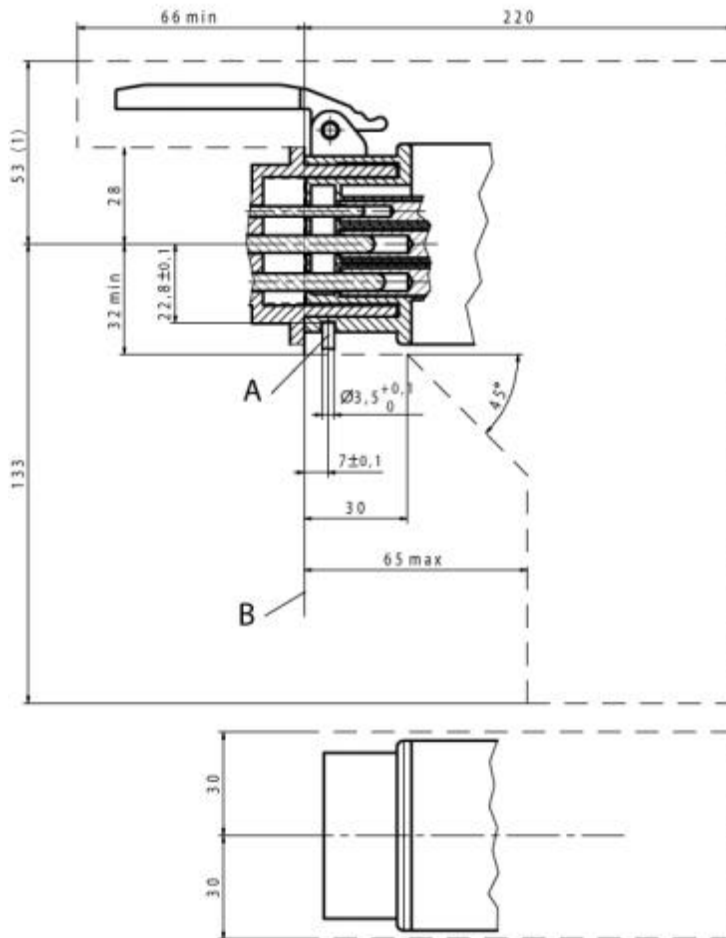
FEUILLE DE NORME 2- III d

**CONNECTEUR DE VÉHICULE 32 A, 250 V MONOPHASÉ
(PRISE MOBILE DE VÉHICULE + SOCLE DE CONNECTEUR DE VÉHICULE)**

**DISPOSITIF DE RETENUE ET VOLUME ENVELOPPE
(FEUILLE DE NORME 2- III b)**

Feuille 3 (suite de la Feuille 2)

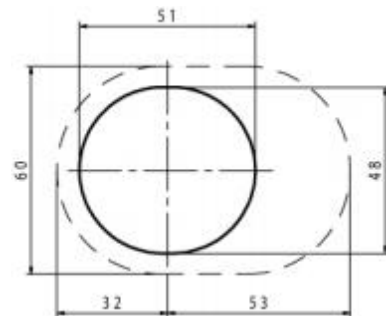
VUE LATÉRALE



VUE DE DESSUS

(1) Espace minimal exigé pour le mouvement du couvercle à charnière .

La forme du corps de la prise mobile de véhicule doit se trouver à l'intérieur de la ligne pointillée .



VUE DE FACE

IEC

Dimensions en millimètres

A: Dispositif de retenue

B: Surface du véhicule

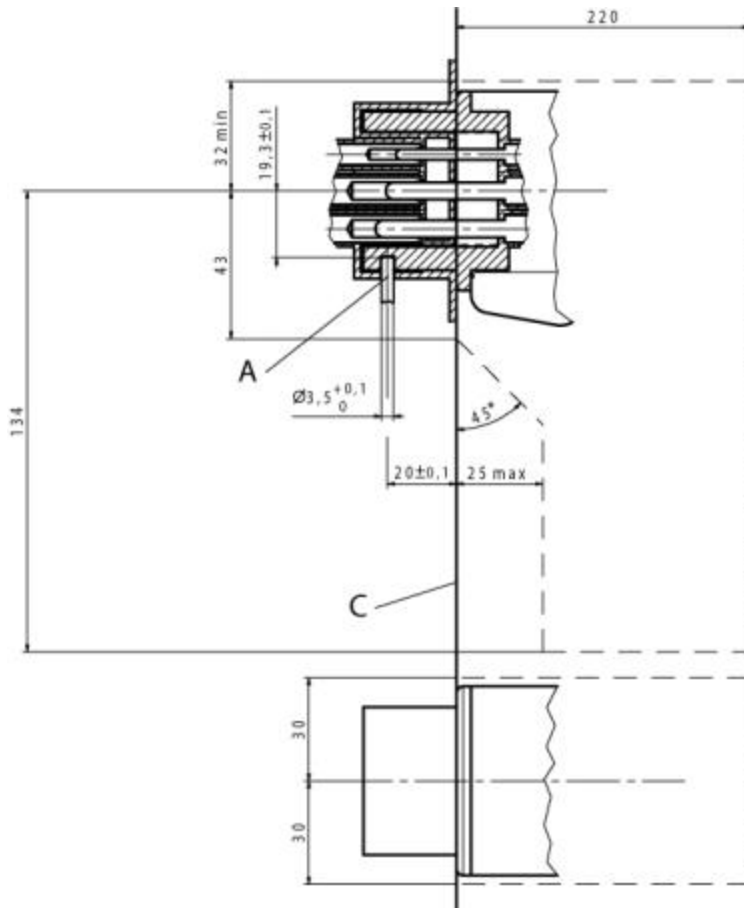
FEUILLE DE NORME 2- III d

SOCLE DE PRISE DE COURANT ET FICHE 32 A, 250 V MONOPHASÉS

**DISPOSITIF DE RETENUE ET VOLUME ENVELOPPE
(FEUILLE DE NORME 2- III b)**

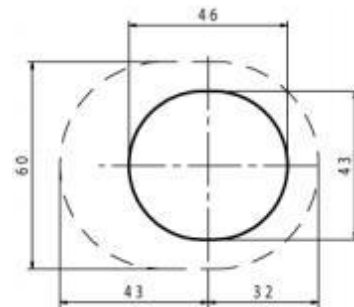
Feuille 4 (suite de la Feuille 3)

VUE LATÉRALE



VUE DE DESSUS

La forme du corps de la fiche doit se trouver à l'intérieur de la ligne pointillée.



VUE DE FACE

IEC

Dimensions en millimètres

A: Dispositif de retenue

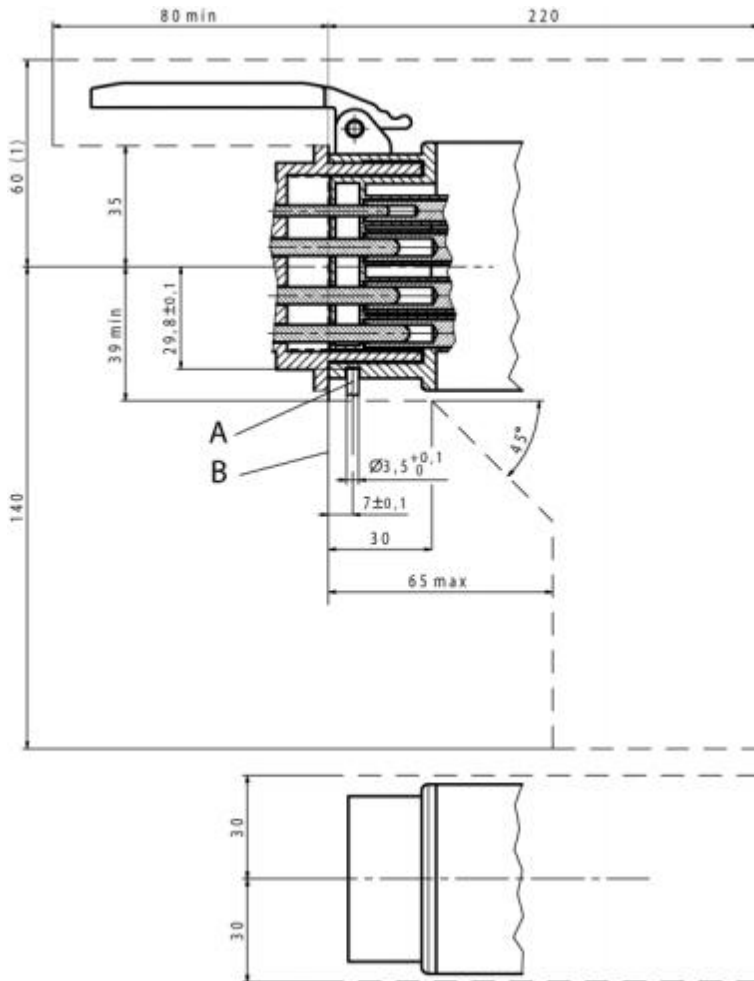
C: Surface du socle de prise de courant

FEUILLE DE NORME 2- IIIId
CONNECTEUR DE VÉHICULE 63 A, 480 V TRIPHASÉ
(PRISE MOBILE DE VÉHICULE + SOCLE DE CONNECTEUR DE VÉHICULE)

DISPOSITIF DE RETENUE ET VOLUME ENVELOPPE
(FEUILLE DE NORME 2- IIIc)

Feuille 5 (suite de la Feuille 4)

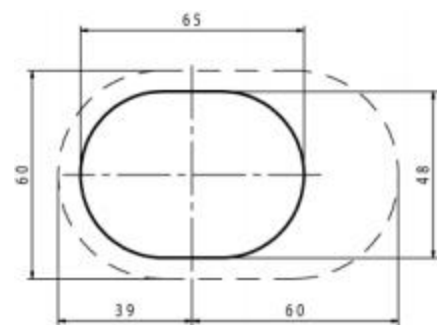
VUE LATÉRALE



VUE DE DESSUS

(1) Espace minimal exigé pour le mouvement du couvercle à charnière .

La forme du corps de la prise mobile de véhicule doit se trouver à l'intérieur de la ligne pointillée .



VUE DE FACE

IEC

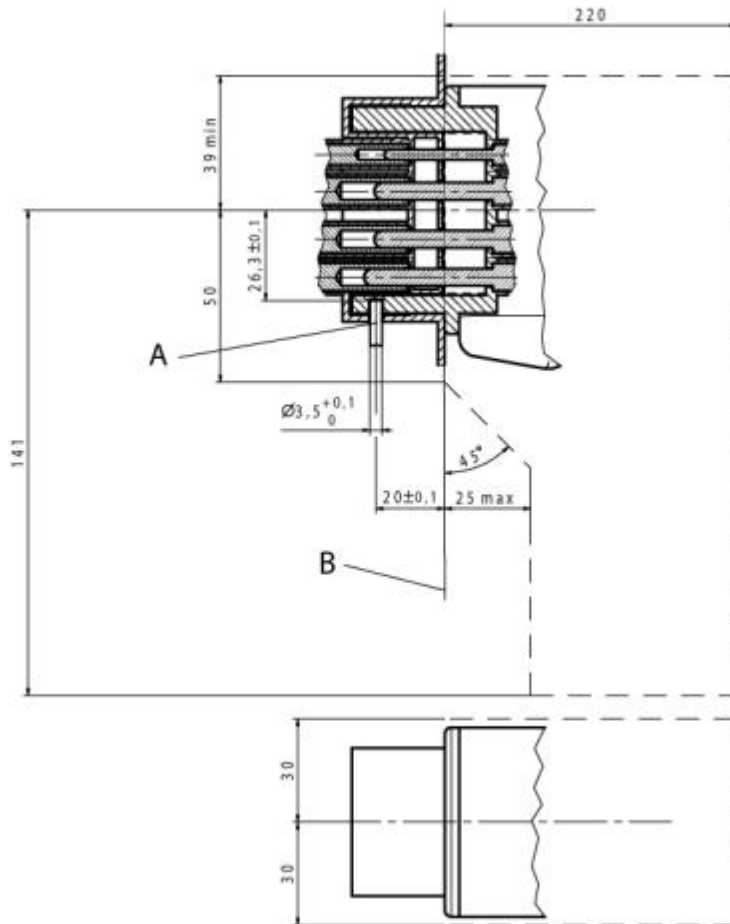
Dimensions en millimètres

- A: Dispositif de retenue
- B: Surface du véhicule

FEUILLE DE NORME 2- III d
SOCLE DE PRISE DE COURANT ET FICHE 63 A, 480 V TRIPHASÉS
DISPOSITIF DE RETENUE ET VOLUME ENVELOPPE
(FEUILLE DE NORME 2- III c)

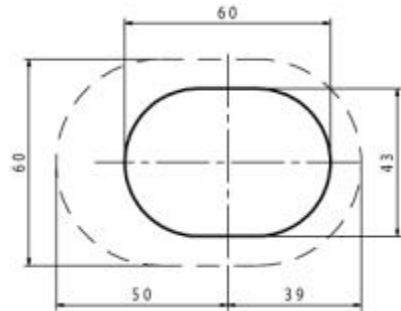
Feuille 6 (suite de la Feuille 5)

VUE LATÉRALE



VUE DE DESSUS

La forme du corps de la fiche doit se trouver à l'intérieur de la ligne pointillée.



VUE DE FACE

IEC

Dimensions en millimètres

- A: Dispositif de retenue
- B: Surface du socle de prise de courant